

1989  
 BMW 525i/535i (E34)  
 Electrical  
 Troubleshooting  
 Manual  
 Production 2/89 and Later (All vehicles equipped  
 with KL61 Relay - see page 0670.0-00).

## CONTENTS

Index . . . . .	0100.0-00
Introduction . . . . .	0110.0-00
Systematic Troubleshooting . . . . .	0130.0-00
Symbols . . . . .	0140.0-00
Power Distribution Chart . . . . .	0670.0-00
Fuse Chart . . . . .	0670.1-00
Power Distribution . . . . .	0670.2-00
Ground Distribution . . . . .	0670.4-00
Component Location Chart . . . . .	7000.0-00
Component Location Views . . . . .	7100.0-00
Splice Location Views . . . . .	8000.0-00
Connector Views Chart . . . . .	8400.0-00
Connector Views . . . . .	8500.0-00

Antilock Brake System .....	3450.0-00
Auxiliary Fan .....	6454.0-00
Brake Lining Warning .....	6200.0-01
CD Changer .....	6510.0-05
Cellular Telephone (Provisions) .....	6561.0-00
Central Body Electronics .....	6100.0-00
ZKE Central Locking (ZV) .....	5126.0-00
Charging Plug .....	6332.0-00
Charging System .....	1230.0-00
Check Control .....	6200.0-00
Cigar Lighter .....	6332.0-01
Component Location Chart .....	7000.0-00
Component Location Views .....	7100.0-00
Connector Views .....	8500.0-00
Connector Views Chart .....	8400.0-00
Cruise Control (TEMPOMAT) .....	6571.0-00
Diagnostic Link .....	0670.5-00
ZKE Door Lock Heating (TSH) .....	5120.0-00
E-Box Fan .....	1290.0-00
Electronic Transmission Control (AEGS) .....	2460.0-00
Fuse Details	
— Fuse 1 .....	0670.3-00
— Fuse 2 .....	0670.3-00
— Fuse 3 .....	0670.3-01
— Fuse 4 .....	0670.3-01
— Fuse 5 .....	0670.3-01
— Fuse 6 .....	0670.3-01
— Fuse 7 .....	0670.3-02
— Fuse 9 .....	0670.3-02
— Fuse 10 .....	0670.3-02
— Fuse 11 .....	0670.3-02
— Fuse 12 .....	0670.3-03
— Fuse 13 .....	0670.3-05
— Fuse 14 .....	0670.3-05
— Fuse 15 .....	0670.3-05
— Fuse 16 .....	0670.3-06

— Fuse 17 .....	0670.3-07
— Fuse 18 .....	0670.3-08
— Fuse 19 .....	0670.3-09
— Fuse 20 .....	0670.3-09
— Fuse 21 .....	0670.3-10
— Fuse 22 .....	0670.3-11
— Fuse 23 .....	0670.3-11
— Fuse 24 .....	0670.3-12
— Fuse 25 .....	0670.3-13
— Fuse 26 .....	0670.3-13
— Fuse 28 .....	0670.3-13
— Fuse 29 .....	0670.3-14
— Fuse 30 .....	0670.3-15
— Fuse 31 .....	0670.3-15
— Fuse 32 .....	0670.3-16
— Fuse 40 .....	0670.3-16
— Fuse 41 .....	0670.3-16
— Fuse 42 .....	0670.3-16
— Fuse 43 .....	0670.3-17
— Fuse 44 .....	0670.3-17
— Fuse 46 .....	0670.3-17
— Fuse 47 .....	0670.3-18
— Fuse 48 .....	0670.3-18
— Fuse 49 .....	0670.3-18
Fuel Pump Gauges	
— Fuel .....	6200.0-07
— Fuel Economy .....	6200.0-06
— Speedometer .....	6200.0-06
— Tachometer .....	6200.0-04
— Temperature .....	6200.0-04
Ground Distribution	
— X165 .....	0670.4-00
— X166 .....	0670.4-01
— X167 .....	0670.4-02
— X173 .....	0670.4-02
— X175 .....	0670.4-03

— X179	0670.4-02
— X490	0670.4-04
— X491	0670.4-05
— X492	0670.4-06
— X493	0670.4-09
— X495	0670.4-10
— X496	0670.4-12
— X497	0670.4-14
— X818	0670.4-17
— X955	0670.4-17
— X1541 (525i)	0670.4-18
— X1541 (535i)	0670.4-20
— X1542 (525i)	0670.4-23
— X1542 (535i)	0670.4-22
— X2008	0670.4-22
— X8072	0670.4-17
Heated Seats	5203.0-00
Horn	6133.0-00
IHKR Air Delivery	6450.1-06
IHKR Auxiliary Water Pump	6450.1-09
IHKR Blower Controls	6450.1-01
IHKR Compressor Controls	6450.1-08
IHKR Temperature Controls	6450.1-03
IHKR Water Valves	6450.1-02
Indicators	
— "ABS"	3450.0-02
— "Air Bag"	3234.0-00
— Brake Lining Wear	6200.0-01
— "Check Engine"	6200.0-00
— Charge	6200.0-00
— Fog Lights	6312.0-01
— High Beam	6312.0-00
— Left Turn	6313.0-02
— Low Fuel Warning	6200.0-07
— Oil Pressure Warning	6200.0-00
— Park Brake	6200.0-02

— Right Turn	6313.0-02
Injection Electronics (DME 1.3)	1210.2-00
Instrument Cluster	6200.0-00
Lamp Monitor (LKM)	6301.0-00
Lights	
— Back Up	6322.0-00
— Brake	6325.0-00
— Front Fog	6312.0-01
— Glove Box	6332.0-00
— Hazard	6313.0-01
— Headlights/Fog Lights	6312.0-00
— Interior Lights (IB) (ZKE)	6330.0-00
— License	6320.0-00
— Makeup Mirror	6300.0-01
— Park/Tail	6314.0-00
— Turn/Hazard	6313.0-00
— Trunk	6320.0-01
— Underhood	6314.0-00
Light Switch Details	6300.0-00
On-Board Computer (BCIV)	6581.0-00
Power Assist Steering	3240.0-00
Power Distribution	0670.2-00
Power Mirrors	5116.0-00
Power Seats	5200.0-00
Power Windows (FH) (ZKE)	5133.0-00
Radio/C.D. Player (Provisions)	6510.0-00
Rear Defogger (IHKR)	6450.1-10
Splice Location Views	8000.0-00
Start	
— Automatic Transmission	1240.0-00
— Manual Transmission	1240.0-00
Sunroof (SHD) (ZKE)	5410.0-00
Supplemental Restraint System (Air Bag)	3234.0-00
Windshield Wiper Control (SWS) (ZKE)	6160.0-00
Windshield Washer Jet Heaters	6169.0-00
Windshield Wiper Pressure Control (ADV) (ZKE)	6164.0-00

## Schematics

The schematics divide the entire vehicle electrical system into individual circuits. Interacting electrical components are shown on one common schematic.

Switches and other components are represented in such a way that their general layout and function are self-explicit. They are arranged on the sheet such that the current path can be followed from positive (top) to negative (bottom).

**Important:** The components and wires are not drawn to scale. For instance, a lead with a length of over 1m can be shown as a lead which is only a few cm long. To ensure clear arrangement, all connectors, line branches and connected components from the fuses to the component and from the component to ground connection are not shown within the individual cells. If required, reference can be made to the cells 0670.3 Fuse Details and 0670.4 Ground Distribution where all lines are illustrated with all plug connections, line branches and connected components.

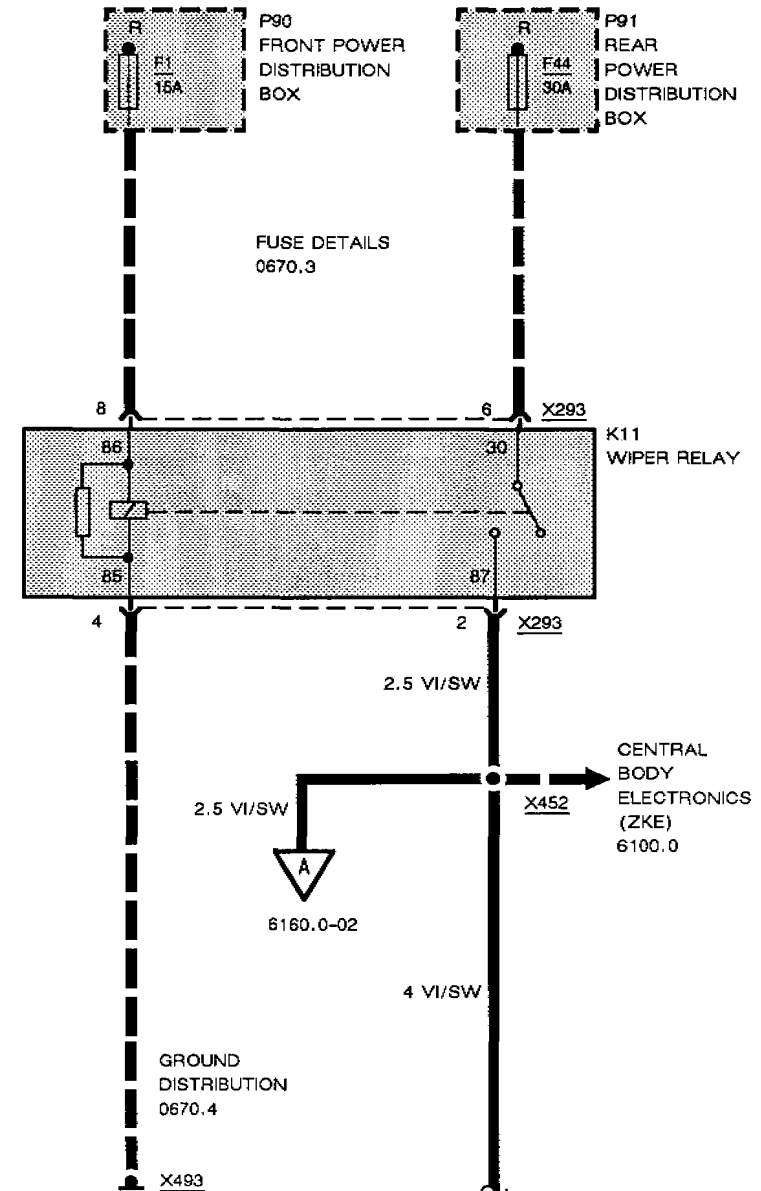
All circuit symbols used are listed and explained in the **0140.0 Symbols**.

In cell **7000.0 Component Location Chart** all important connectors, ground points and components are listed in tabular form. It provides a precise description of the component locations in the vehicle.

In cell **7100.0 Component location views** the locations of the connectors and components which are difficult to locate are shown in photographs. – **This cell is not included in the first issue and will be supplied as a supplement.** – In cell **8400.0 Connector Views Chart**, all connectors with more than 2 pins are listed in tabular form. This chart references the page and figure in cell 8500.0 where a view of the connector can be found. In cell **8500.0 Connector Views** diagrams of all connectors with more than 2 pins are illustrated.

## Example

General conventions can be explained based on the following schematic example.





### General Conventions

1. Switches and relays are always shown in rest position (e.g. K11).
2. A component shown in a dashed frame signifies that the component is illustrated only in part (e.g. P90 and P91).
3. A component shown in a completely drawn frame signifies that the component is illustrated in full (e.g. K11).
4. The dashed line between pin 8 and pin 6 of connector X293 indicates that both pins belong connector X293.
5. The dashed line from fuse 1 to pin 8 of the connector X293 shows the positive supply of the relay K11. If required, refer to cell 0670.3 Fuse details at fuse F1 for the complete line progression with all plug connections, line branches, wire colors and cross sections.
6. The dashed line with arrow at connector X452 indicates that several wires lead to connector X452. All lines leading to the connection are illustrated in cell 6100.0 Central Body Electronics (ZKE). An uninterrupted line with arrow indicates that only this one wire leads to another circuit.
7. The dashed line from pin 4 of connector X293 to ground X493 shows the ground supply for relay K11. If required, refer to cell 0670.4 Ground Distribution at ground X493 for the complete line progression with all plug connections, line branches, wire colors and cross sections.
8. The uninterrupted line from connector X452 with an A in the open arrow is continued on Page 6160.0-02. Termination of the wire 4 VI/SW from connector X452 with a wavy line indicates that the wire is continued on the opposite page.

## TRUBLESHOOTING PROCEDURES

Diagnostic procedures for many of the circuits in this manual are included with the schematics. These procedures are based on a logical problem-solving method. The steps listed below are provided for those circuits that do not include diagnostic procedures. Following these steps will enable you to make a quick diagnosis of the problem.

### 1. Verify the Problem

Operate the problem circuit to check the accuracy of the complaint. Note the symptoms of the inoperative circuit.

### 2. Analyze the Problem

Refer to the schematic of the problem circuit in the ETM. Determine how the circuit is supposed to work by tracing the current path(s) from the power feed through the circuit components to ground. Then, based on the symptoms you noted in step 1 and your understanding of circuit operation, identify one or more causes of the problem.

### 3. Isolate the Problem

Make circuit tests to prove or disprove the preliminary diagnosis made in step 2. Keep in mind that a logical, simple procedure is the key to efficient troubleshooting. Test for the most likely cause of failure first. Try to make tests at points which are easily accessible.

### 4. Repair the Problem

Once the specific problem is identified, make the repair using the proper tools and safe procedures.

### 5. Check the Problem

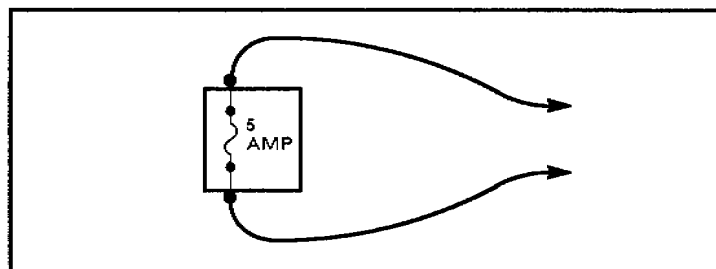
Operate the circuit to check for satisfactory circuit operation. Good repair practice calls for rechecking all circuits you have worked on.

## TRUBLESHOOTING TOOLS

Isolating the problem (Step 3 of TROUBLESHOOTING PROCEDURES) requires the use of a voltmeter and/or ohmmeter. A voltmeter measures voltage at selected points in a circuit. An ohmmeter measures a circuit's resistance to current flow. It has an internal battery that provides current to the circuit under test. Disconnect the car battery when using an ohmmeter because the battery voltage will cause the ohmmeter to give false readings. Also, do not use an ohmmeter on solid-state components. The voltage that the ohmmeter applies to the circuit could damage these components.

### Fused Jumper Wire

A jumper wire is made up of an in-line fuse holder connected to a set of test leads. It should have a five ampere fuse. Use it for bypassing open circuits. Never use a jumper wire across any load (motors, etc.). This direct battery short will blow the fuse.



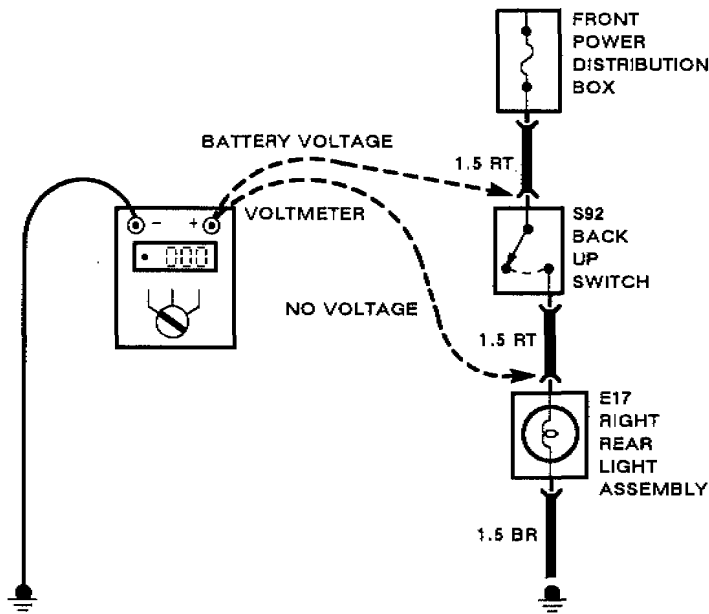
Fused Jumper Wire

**TROUBLESHOOTING TESTS**

**Voltage Test**

This test measures voltage in a circuit. By taking measurements at several points (terminals or connectors) along the circuit, you can isolate the problem.

To take a voltage measurement, connect the negative lead of the voltmeter to the battery's negative terminal or other known good ground. Then connect the positive lead of the voltmeter to the point you want to test. The voltmeter will measure the voltage present at that point in the circuit.

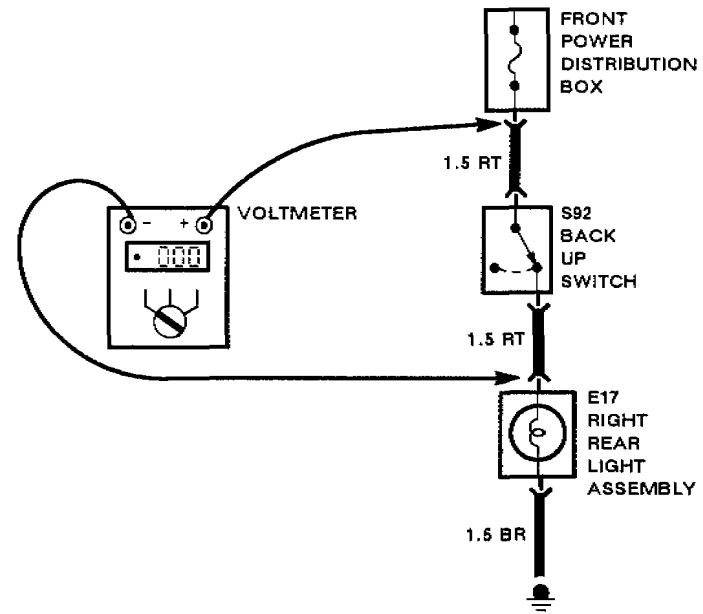


**Voltage Test**

**Voltage Drop Test**

Wires, connectors and switches are designed to conduct current with a minimum loss of voltage. A voltage drop of more than one volt indicates a problem.

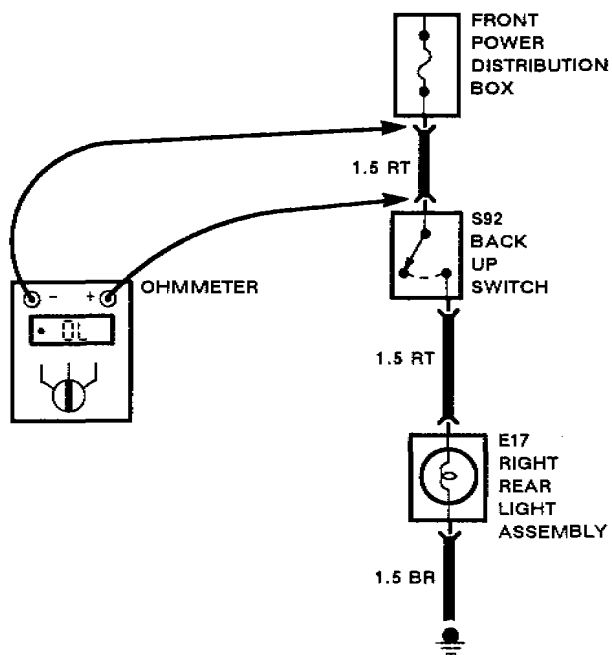
To test for voltage drop, connect the voltmeter leads to connectors at either end of the circuit's suspected problem area. The positive lead should be connected to the connector closest to the power source. The voltmeter will show the voltage drop between these two points. Any switches in the circuit should be on during this test.



**Voltage Drop Test**

## Continuity Test

To perform a continuity test, first disconnect the car battery. Then, while holding the leads together, adjust the ohmmeter to read zero. Connect the ohmmeter leads to connector or terminals at either end of the circuit's suspected problem area. The ohmmeter will show the resistance across that part of the circuit.

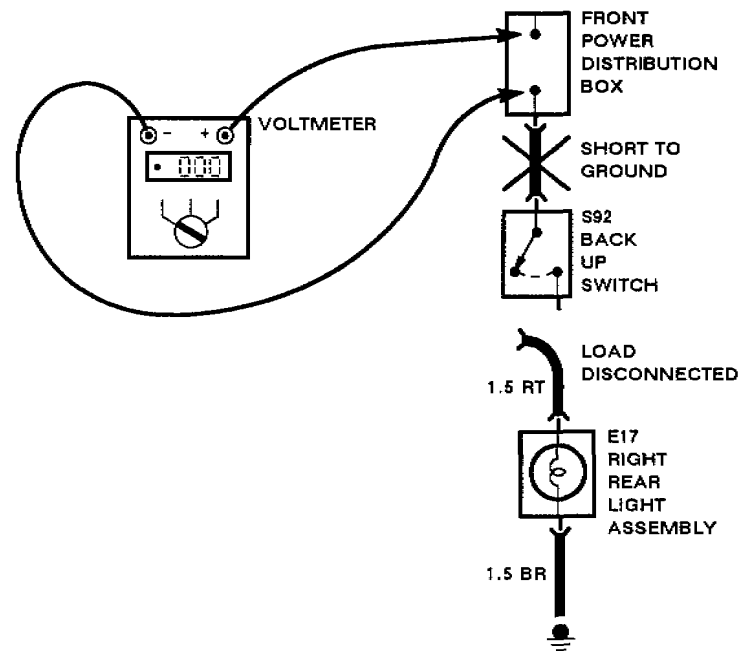


Continuity Test

## Short Test Using Voltmeter

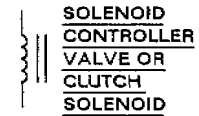
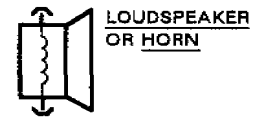
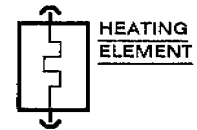
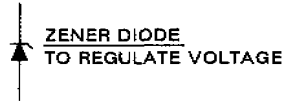
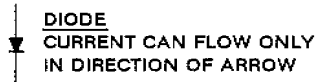
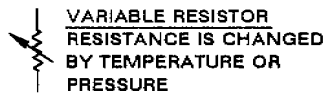
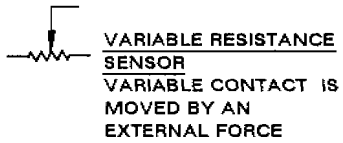
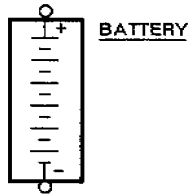
To locate a wiring short to ground, remove the blown fuse and disconnect the load. Connect the voltmeter leads to the fuse terminals. The positive lead should be connected to the terminal closest to the power source.

Starting near the FRONT POWER DISTRIBUTION BOX, move the wire harness back and forth and watch the voltmeter reading. If the voltmeter registers a reading, there is a short to ground in the wiring. Somewhere in the area of the harness being moved, the wire insulation is worn away and the circuit is grounding.

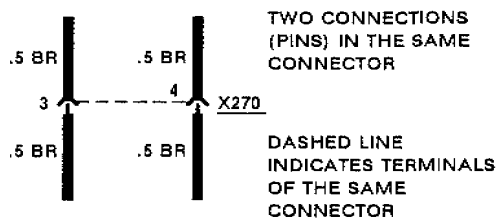
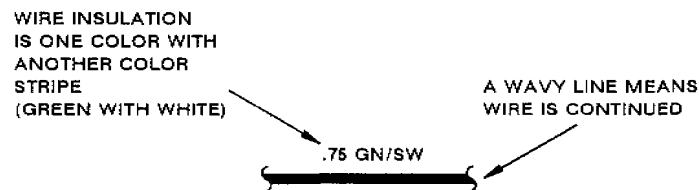
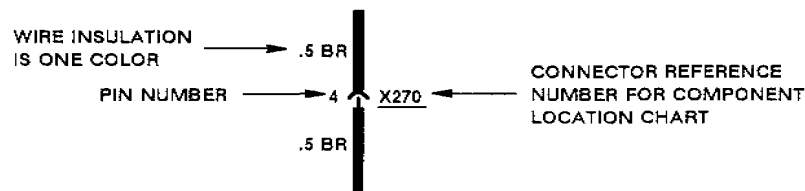
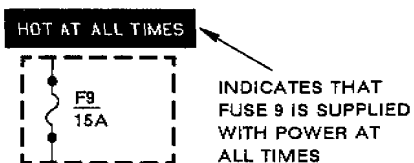
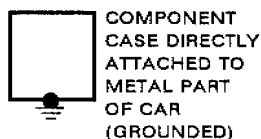
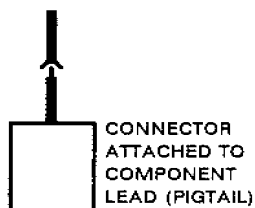
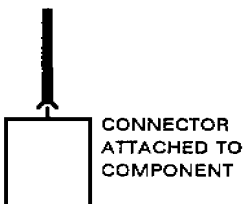
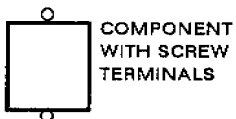
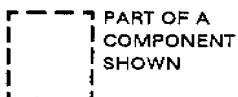


Short Test Using Voltmeter

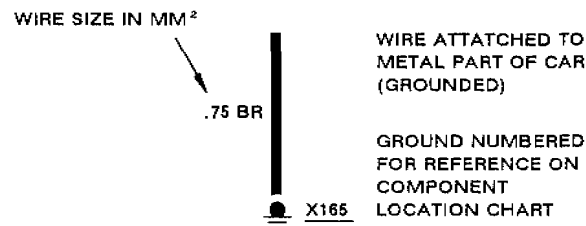


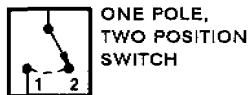


# SYMBOLS

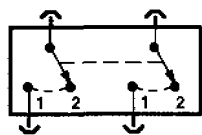


TERMINAL NUMBER	DESCRIPTION
50	VOLTAGE: IGNITION SWITCH IN START
30	VOLTAGE: SUPPLIED AT ALL TIMES
15	VOLTAGE: IGNITION SWITCH IN RUN OR START
15E	VOLTAGE: IGNITION SWITCH IN RUN
R	VOLTAGE: IGNITION SWITCH IN ACCESSORY, RUN OR START

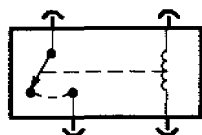




ONE POLE,  
TWO POSITION  
SWITCH

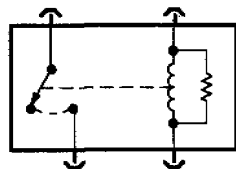


SWITCHES THAT MOVE  
TOGETHER  
DASHED LINE SHOWS  
A MECHANICAL  
CONNECTION BETWEEN  
SWITCHES

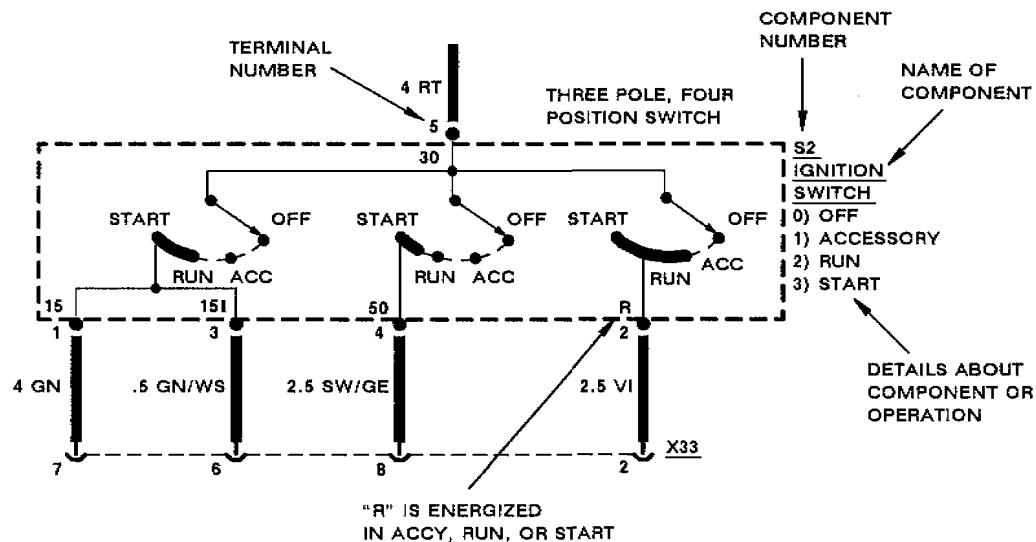


RELAY WITH NO  
CURRENT FLOWING  
THROUGH COIL

WHEN COIL IS  
ENERGIZED, SWITCH  
IS PULLED CLOSED



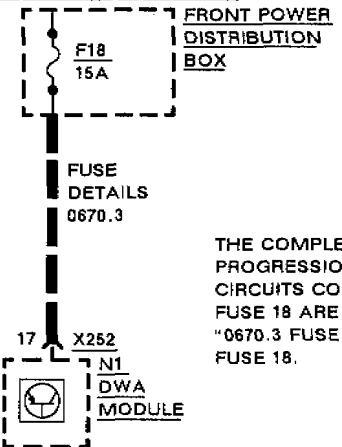
RELAY WITH  
RESISTOR ACROSS  
COIL



TERMINAL NUMBER	DESCRIPTION
50	VOLTAGE: IGNITION SWITCH IN START
30	VOLTAGE: SUPPLIED AT ALL TIMES
15	VOLTAGE: IGNITION SWITCH IN RUN OR START
15I	VOLTAGE: IGNITION SWITCH IN RUN
R	VOLTAGE: IGNITION SWITCH IN ACCESSORY, RUN, OR START

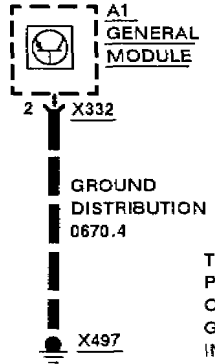
**BMW 5** **SYMBOLS**

**HOT IN ACCY RUN OR START**



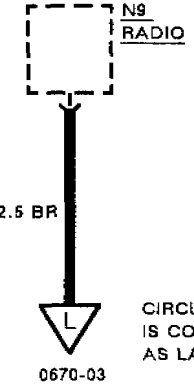
FUSE  
DETAILS  
0670.3

THE COMPLETE WIRE  
PROGRESSION AND FURTHER  
CIRCUITS CONNECTED TO  
FUSE 18 ARE SHOWN IN CELL  
"0670.3 FUSE DETAILS" AT  
FUSE 18.



GROUND  
DISTRIBUTION  
0670.4

THE COMPLETE WIRE  
PROGRESSION AND FURTHER  
CIRCUITS CONNECTED AT  
GROUND X497 ARE SHOWN  
IN CELL "0670.4 GROUND  
DISTRIBUTION" AT GROUND  
X497.

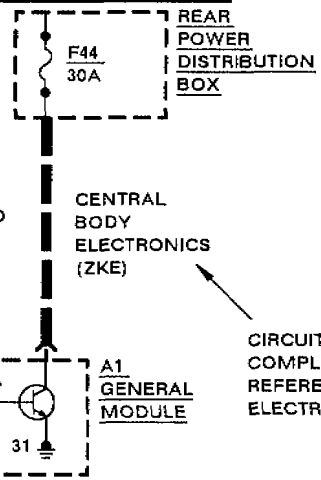


2.5 BR

CIRCUIT PATH  
IS CONTINUED  
AS LABELED

ARROW SHOWS  
DIRECTION OF  
CURRENT FLOW  
AND IS REPEATED  
WHERE CURRENT  
PATH CONTINUES

**HOT IN ACCY RUN OR START**



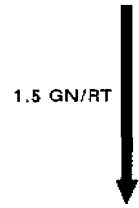
TESTER COMMAND NUMBER-  
ENTERING 315 FOR THE  
GIVEN ZKE SYSTEM WILL  
ACTIVATE THE TRANSISTORIZED  
SWITCH

CENTRAL  
BODY  
ELECTRONICS  
(ZKE)

CIRCUIT SHOWN IS INCOMPLETE  
COMPLETE CIRCUIT CAN BE  
REFERENCED IN CENTRAL BODY  
ELECTRONICS (ZKE)

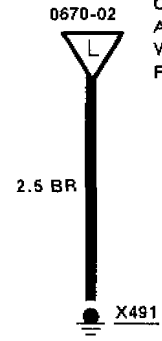
SYMBOL INDICATES  
A SOLID STATE  
DEVICE (INCLUDES  
ONLY ELECTRONIC PARTS)

CIRCUIT REFERENCE-  
A WIRE WHICH CONNECTS  
TO ANOTHER CIRCUIT



1.5 GN/RT

INJECTION  
ELECTRONICS  
(DME)  
1210.1



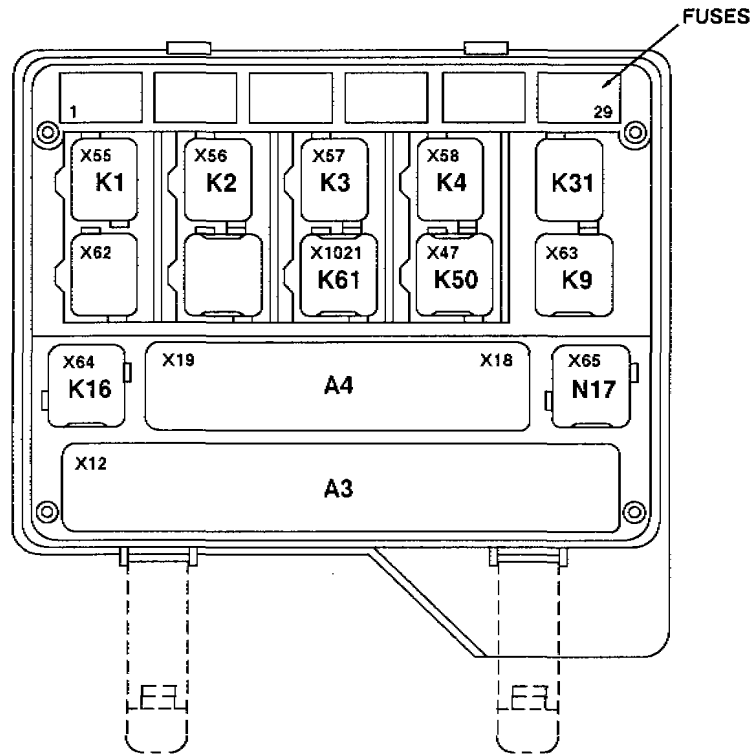
2.5 BR



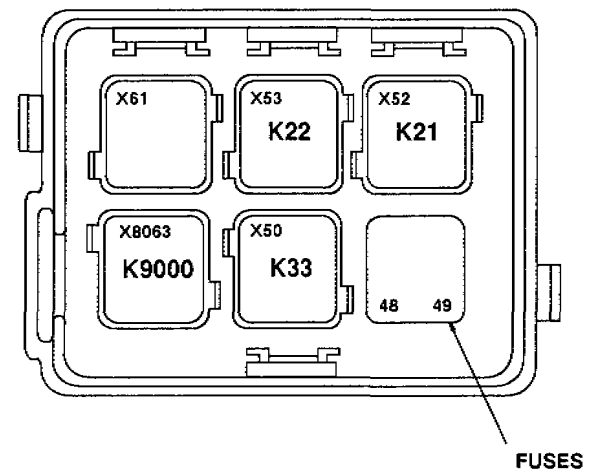
# POWER DISTRIBUTION CHARTS

## FRONT POWER DISTRIBUTION BOX, AUXILIARY RELAY BOX

P90 FRONT POWER DISTRIBUTION BOX



P92 AUXILIARY RELAY BOX





# POWER DISTRIBUTION CHARTS

## FRONT POWER DISTRIBUTION BOX, AUXILIARY RELAY BOX

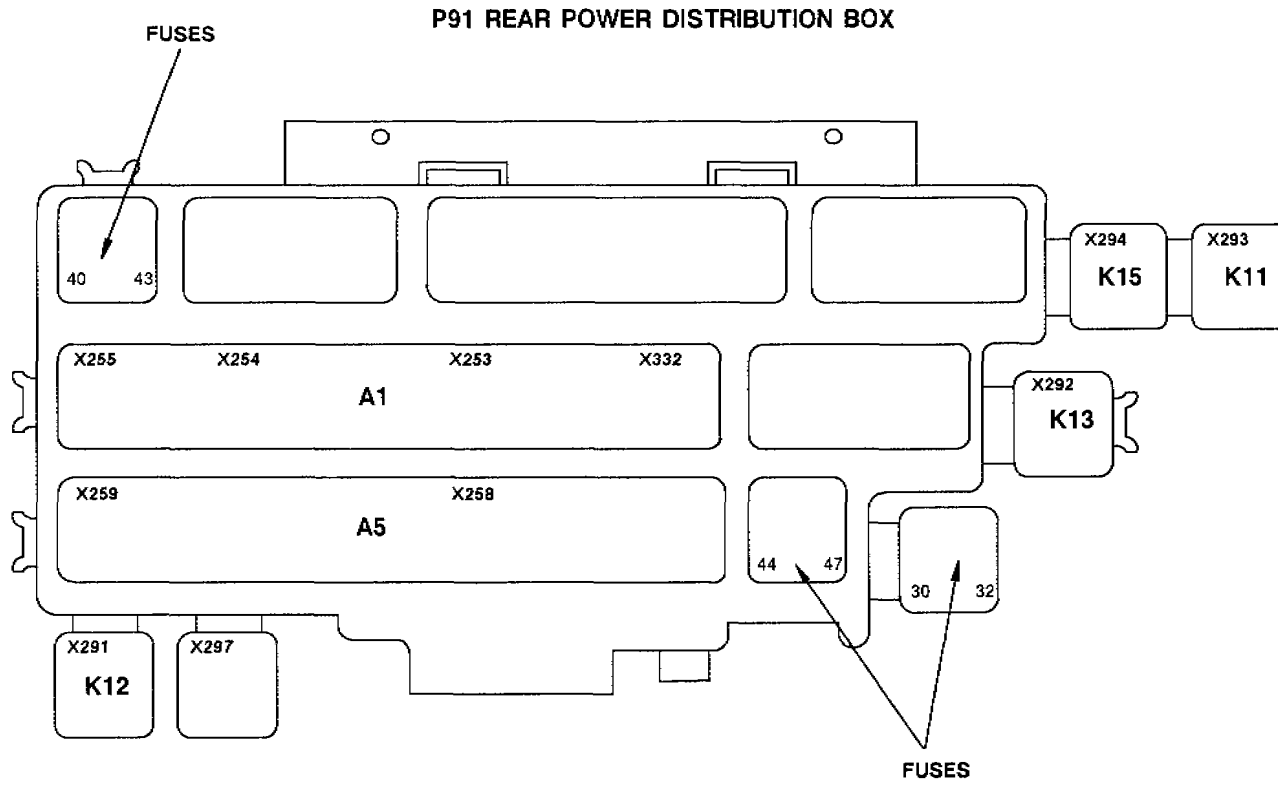
COMPONENTS IN FRONT POWER DISTRIBUTION BOX		
NUMBER	CONNECTOR	DESCRIPTION
A3	X12	LAMP CONTROL MODULE
A4	X18, X19	CHECK CONTROL MODULE
K1	X55	STARTER RELAY
B900	X55	JUMPER PLUG (MANUAL)
K2	X56	HORN RELAY
K3	X57	UNLOADER RELAY, KLR
K4	X58	BLOWER RELAY
	X62	NOT IN U.S.
K9	X63	UNLOADER RELAY, KL 15
K16	X64	HAZARD FLASHER RELAY
K31		PRESENTLY NOT AVAILABLE
K50	X47	WATER PUMP RELAY
K61	X1021	UNLOADER RELAY KL61
N17	X65	CRASH CONTROL UNIT

COMPONENTS IN AUXILIARY RELAY BOX		
NUMBER	CONNECTOR	DESCRIPTION
K21	X52	NORMAL SPEED RELAY
K22	X53	HIGH SPEED RELAY
K33	X50	AIR CONDITIONING RELAY
K9000	X8063	PHONE HORN ALERT RELAY (WITH CELLULAR TELEPHONE PROVISIONS)
	X61	NOT IN U.S.



# POWER DISTRIBUTION CHARTS

## REAR POWER DISTRIBUTION BOX





# POWER DISTRIBUTION CHARTS

## REAR POWER DISTRIBUTION BOX

COMPONENTS IN REAR POWER DISTRIBUTION BOX		
NUMBER	CONNECTOR	DESCRIPTION
A1	X253, X254 X255, X332	GENERAL MODULE
A5	X258, X259	RELAY MODULE
K11	X293	WIPER RELAY
K12	X291	WIPER PRESSURE CONTROL RELAY (ADV)
K13	X292	REAR DEFOGGER RELAY
K15	X294	ELECTRIC POWER PROTECTION RELAY
	X297	NOT IN U.S.





## FUSE CHARTS

FUSE	CIRCUIT PROTECTED
F1 15A	1230.0 Charging System (Also Fuse 28) 3450.0 ABS Antilock Brake System (Also Fuse 17) 6200.0 Instrument Cluster Check Control (K/CC) (Also Fuses 15,17, 20) 6301.0 Lamp Monitor (LKM) (Also Fuses 2, 3, 4, 5, 7, 10, 11, 13, 14, 15) 6325.0 Brake Lights (Also Fuse 15) 6571.0 Cruise Control (Tempomat) (Also Fuse 17)
F2 7.5A	6300.0 Light Switch Details (Also Fuses 3, 4, 5, 24) 6301.0 Lamp Monitor (LKM) (Also Fuses 1, 3, 4, 5, 7, 10, 11, 13, 14, 15) 6312.0 Headlights/Fog Lights (Also Fuses 3, 5, 7, 10, 11, 13, 14) 6313.0 Turn/Hazard Lights (Also Fuses 3, 6, 13, 14)
F3 7.5A	6100.0 Central Body Electronics (ZKE) (Also Fuses 5, 15, 17, 30, 44, 47) 6300.0 Light Switch Details (Also Fuses 2, 4, 5, 24) 6301.0 Lamp Monitor (LKM) (Also Fuses 1, 2, 4, 5, 7, 10, 11, 13, 14, 15) 6312.0 Headlights/Fog Lights (Also Fuses 2, 5, 7, 10, 11, 13, 14) 6313.0 Turn/Hazard Lights (Also Fuses 2, 6, 13, 14)
F4 7.5A	6300.0 Light Switch Details (Also Fuses 2, 3, 5, 24) 6301.0 Lamp Monitor (LKM) (Also Fuses 1, 2, 3, 5, 7, 10, 11, 13, 14, 15) 6314.0 Park/Tail/Underhood Lights (Also Fuses 5, 15, 20)
F5 10A	6100.0 Central Body Electronics (ZKE) (Also Fuses 3, 15, 17, 30, 44, 47) 6300.0 Light Switch Details (Also Fuses 2, 3, 4, 24) 6301.0 Lamp Monitor (LKM) (Also Fuses 1, 2, 3, 4, 7, 10, 11, 13, 14, 15) 6312.0 Headlights/Fog Lights (Also Fuses 2, 3, 7, 10, 11, 13, 14) 6314.0 Park/Tail/Underhood Lights (Also Fuses 4, 15, 20) 6320.0 License/Trunk Lights (Also Fuses 15, 21) 6330.0 ZKE Interior Lights (Also Fuses 15, 17, 21, 30, 44) 6332.0 Glove Box Light/Cigar Lighter/Charging Plug (Also Fuses 18, 21, 26)
F6 7.5A	6313.0 Turn/Hazard Lights (Also Fuses 2, 3, 13, 14)
F7 15A	6301.0 Lamp Monitor (LKM) (Also Fuses 1, 2, 3, 4, 5, 10, 11, 13, 14, 15) 6312.0 Headlights/Fog Lights (Also Fuses 2, 3, 5, 10, 11, 13, 14)



## FUSE CHARTS

FUSE	CIRCUIT PROTECTED
F9 15A	6133.0 Horn 6450.1 Integrated Climate Regulation (HKR) (Also Fuses 19, 20, 24, 29, 46)
F10 7.5A	6301.0 Lamp Monitor (LKM) (Also Fuses 1, 2, 3, 4, 5, 7, 11, 13, 14, 15) 6312.0 Headlights/Fog Lights (Also Fuses 2, 3, 5, 7, 11, 13, 14)
F11 7.5A	6301.0 Lamp Monitor (LKM) (Also Fuses 1, 2, 3, 4, 5, 7, 10, 13, 14, 15) 6312.0 Headlights/Fog Lights (Also Fuses 2, 3, 5, 7, 10, 13, 14)
F12 15A	5116.0 Power Mirrors 6169.0 Windshield Washer Jet Heaters 6322.0 Back Up Lights
F13 7.5A	6301.0 Lamp Monitor (LKM) (Also Fuses 1, 2, 3, 4, 5, 7, 10, 11, 14, 15) 6312.0 Headlights/Fog Lights (Also Fuses 2, 3, 5, 7, 10, 11, 14) 6313.0 Turn/Hazard Lights (Also Fuses 2, 3, 6, 14)
F14 7.5A	6301.0 Lamp Monitor (LKM) (Also Fuses 1, 2, 3, 4, 5, 7, 10, 11, 13, 15) 6312.0 Headlights/Fog Lights (Also Fuses 2, 3, 5, 7, 10, 11, 13) 6313.0 Turn/Hazard Lights (Also Fuses 2, 3, 6, 13)
F15 7.5A	6100.0 Central Body Electronics (ZKE) (Also Fuses 3, 5, 17, 30, 44, 47) 6160.0 ZKE Windshield Wiper Control (SWS) (Also Fuse 44) 6164.0 ZKE Windshield Wiper Pressure Control (ADV) (Also Fuses 22, 44) 6200.0 Instrument Cluster/Check Control (K/CC) (Also Fuses 1, 17, 20) 6301.0 Lamp Monitor (LKM) (Also Fuses 1, 2, 3, 4, 5, 7, 10, 11, 13, 14) 6314.0 Park/Tail/Underhood Lights (Also Fuses 4, 5, 20) 6320.0 License/Trunk Lights (Also Fuses 5, 21) 6325.0 Brake Lights (Also Fuse 1) 6330.0 ZKE Interior Lights (Also Fuses 5, 17, 21, 30, 44) 6581.0 On Board Computer (BCIV) (Also Fuses 17, 20)
F16 30A	5203.0 Heated Seats



## FUSE CHARTS

FUSE	CIRCUIT PROTECTED
F17 7.5A	1210.2 Injection Electronics (DME 1.3) (Also Fuse 23) 1240.0 Start 1290.0 E-Box Fan (Also Fuse 28) 2460.0 Electronic Transmission Control (AEGS) 3450.0 Antilock Brake System (ABS) (Also Fuse 1) 5120.0 ZKE Door Lock Heating (TSH) (Also Fuse 30) 5133.0 ZKE Power Windows (FH) (Also Fuses 30, 31, 47) 5410.0 ZKE Sunroof (SHD) (Also Fuses 30, 31, 47) 6100.0 Central Body Electronics (ZKE) (Also Fuses 3, 5, 15, 30, 44, 47) 6200.0 Instrument Cluster/Check Control (K/CC) (Also Fuses 1, 15, 20) 6330.0 ZKE Interior Lights (IB) (Also Fuses 5, 15, 21, 30, 44) 6571.0 Cruise Control (Tempomat) (Also Fuse 1) 6581.0 On Board Computer (BCIV) (Also Fuses 15, 20)
F18 15A	6332.0 Glove Box Light/Cigar Lighter/Charging Plug (Also Fuses 5, 21, 26) 6510.0 Radio/CD Player (Provisions) (Also Fuse 41) 6561.0 Cellular Telephone (Provisions) (Also Fuses 31, 48)
F19 30A	6450.1 Integrated Climate Regulation (IHKR) (Also Fuses 9, 20, 24, 29, 46)
F20 7.5A	6200.0 Instrument Cluster/Check Control (K/CC) (Also Fuses 1, 15, 17) 6314.0 Park/Tail/Underhood Lights (Also Fuses 4, 5, 15) 6450.1 Integrated Climate Regulation (IHKR) (Also Fuses 9, 19, 24, 29, 46) 6581.0 On Board Computer (BCIV) (Also Fuses 15, 17)
F21 10A	6320.0 License/Trunk Lights (Also Fuses 5, 15) 6332.0 Glove Box Light/Cigar Lighter/Charging Plug (Also Fuses 5, 18, 26) 6330.0 ZKE Interior Lights (IB) (Also Fuses 5, 15, 17, 30, 44)
F22 30A	6164.0 ZKE Windshield Wiper Pressure Control (ADV) (Also Fuses 15, 44)



## FUSE CHARTS

FUSE	CIRCUIT PROTECTED
F23 7.5A	1210.2 Injection Electronics (DME 1.3) (Also Fuse 17)
F24 7.5A	6300.0 Light Switch Details (Also Fuses 2, 3, 4, 5) 6450.1 Integrated Climate Regulation (IHKR) (Also Fuses 9, 19, 20, 29, 46)
F25 30A	6454.0 Auxiliary Fan (Also Fuse 29)
F26 30A	6332.0 Glove Box Light/Cigar Lighter/Charging Plug (Also Fuses 5, 18, 21)
F28 15A	1230.0 Charging System (Also Fuse 1) 1290.0 E-Box Fan (Also Fuse 17) 3240.0 Power Assist Steering (Servotronic)
F29 7.5A	6450.1 Integrated Climate Regulation (IHKR) (Also Fuses 9, 19, 20, 24, 46) 6454.0 Auxiliary Fan (Also Fuse 25)
F30 7.5A	5120.0 ZKE Door Lock Heating (TSH) (Also Fuse 17) 5126.0 ZKE Central Locking (ZV) (Also Fuses 31, 47) 5133.0 ZKE Power Windows (FH) (Also Fuses 17, 31, 47) 5410.0 ZKE Sunroof (SHD) (Also Fuses 17, 31, 47) 6100.0 Central Body Electronics (ZKE) (Also Fuses 3, 5, 15, 17, 44, 47) 6330.0 ZKE Interior Lights (Also Fuses 5, 15, 17, 21, 44)
F31 7.5A	5126.0 ZKE Central Locking (ZV) (Also Fuses 30, 47) 5133.0 ZKE Power Windows (FH) (Also Fuses 17, 30, 47) 5410.0 ZKE Sunroof (SHD) (Also Fuses 17, 30, 47) 6561.0 Cellular Telephone (Provisions) (Also Fuses 18, 48)
F32 7.5A	NOT USED
F40 15A	NOT USED
F41 30A	6510.0 Radio/CD Player (Provisions) (Also Fuse 18)
F42 30A	5200.0 Power Seats (Also Fuse 43)
F43 30A	5200.0 Power Seats (Also Fuse 42)



## FUSE CHARTS

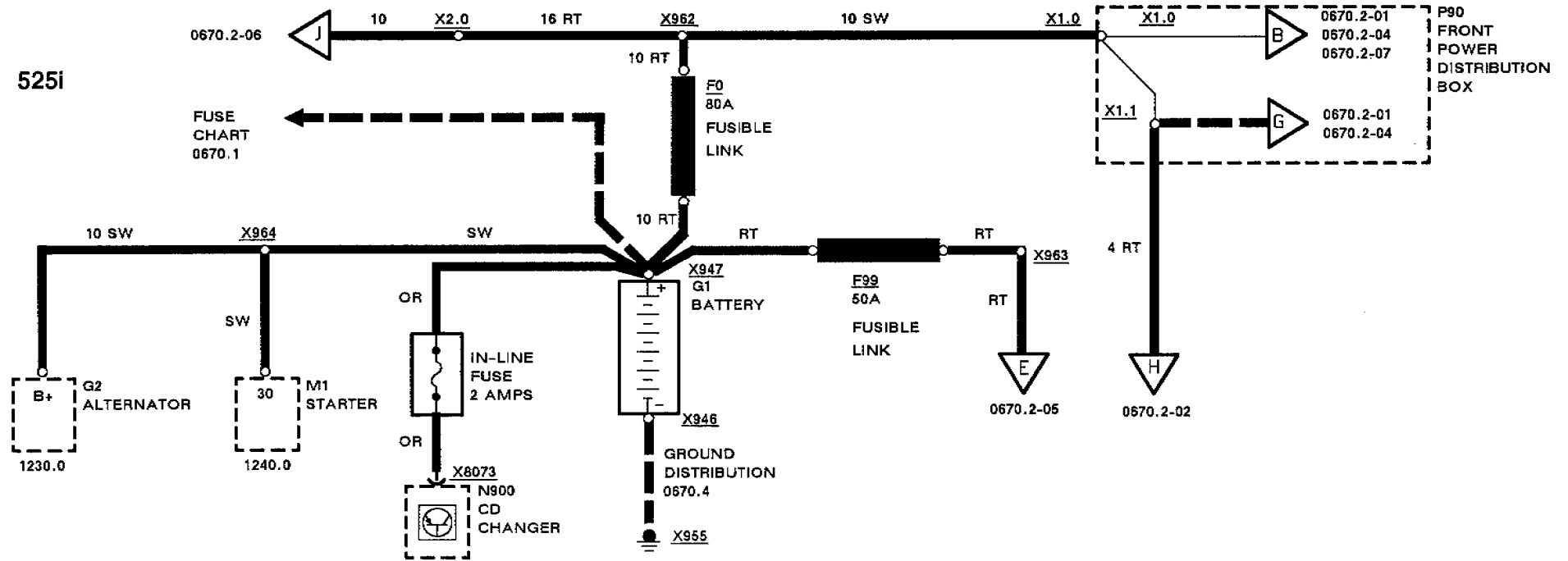
FUSE	CIRCUIT PROTECTED
F44 30A	6100.0 Central Body Electronics (ZKE) (Also Fuses 3, 5, 15, 17, 30, 47) 6160.0 ZKE Windshield Wiper Control (SWS) (Also Fuse 15) 6164.0 ZKE Windshield Wiper Pressure Control (ADV) (Also Fuses 15, 22) 6330.0 ZKE Interior Lights (IB) (Also Fuses 5, 15, 17, 21, 30)
F46 30A	6450.1 Integrated Climate Regulation (IHKR) (Also Fuses 9, 19, 20, 24, 29)
F47 30A	5126.0 ZKE Central Locking (ZV) (Also Fuses 30, 31) 5133.0 ZKE Power Windows (FH) (Also Fuses 17, 30, 31) 5410.0 ZKE Sunroof (SHD) (Also Fuses 17, 30, 31) 6100.0 Central Body Electronics (ZKE) (Also Fuses 3, 5, 15, 17, 30, 44)
F48 15A	6561.0 Cellular Telephone (Provisions) (Also Fuses 18, 31)
F49	NOT USED



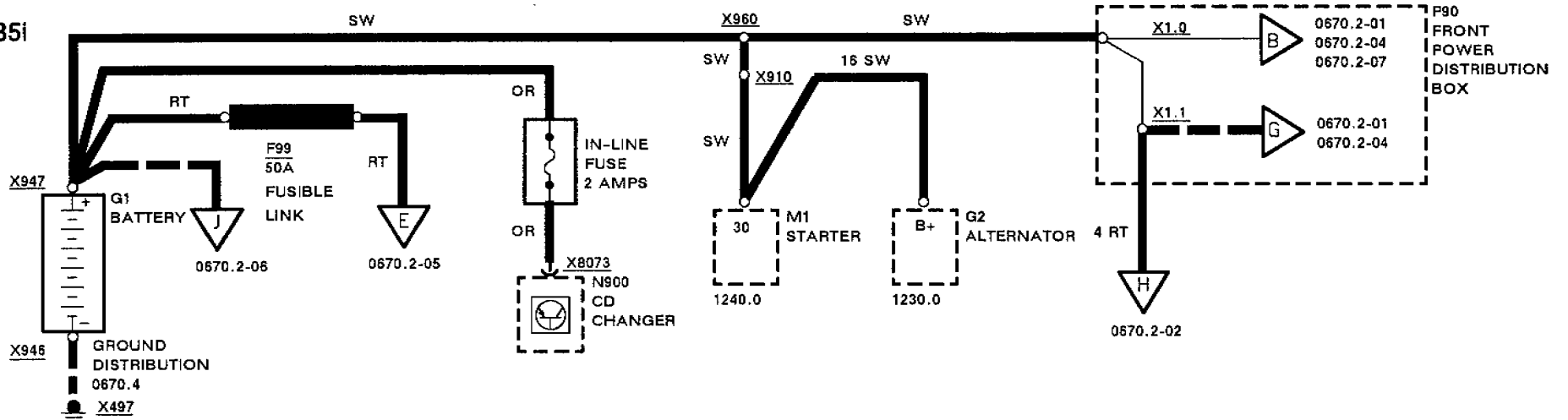
# POWER DISTRIBUTION

## FRONT POWER DISTRIBUTION BOX

525i

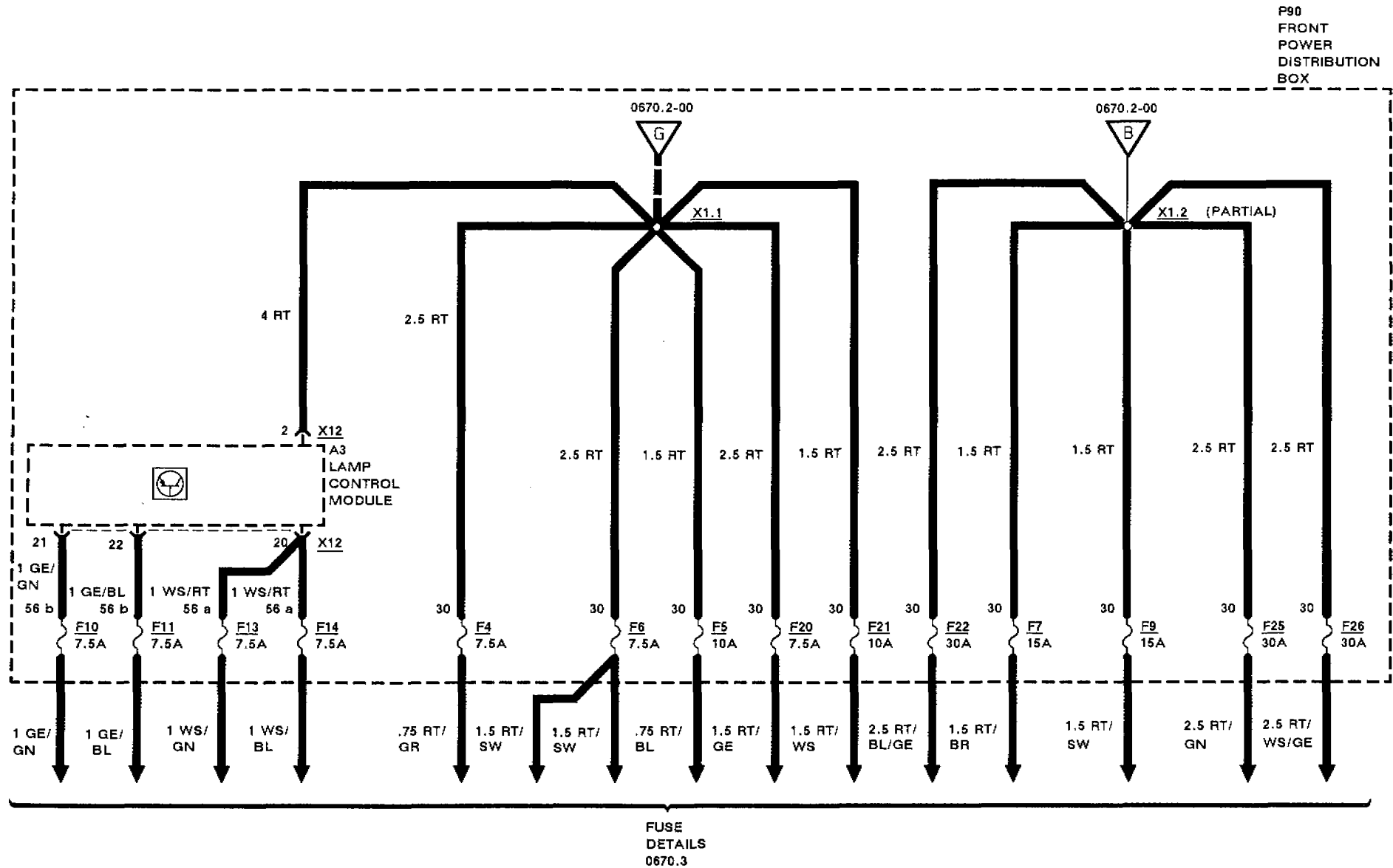


535i





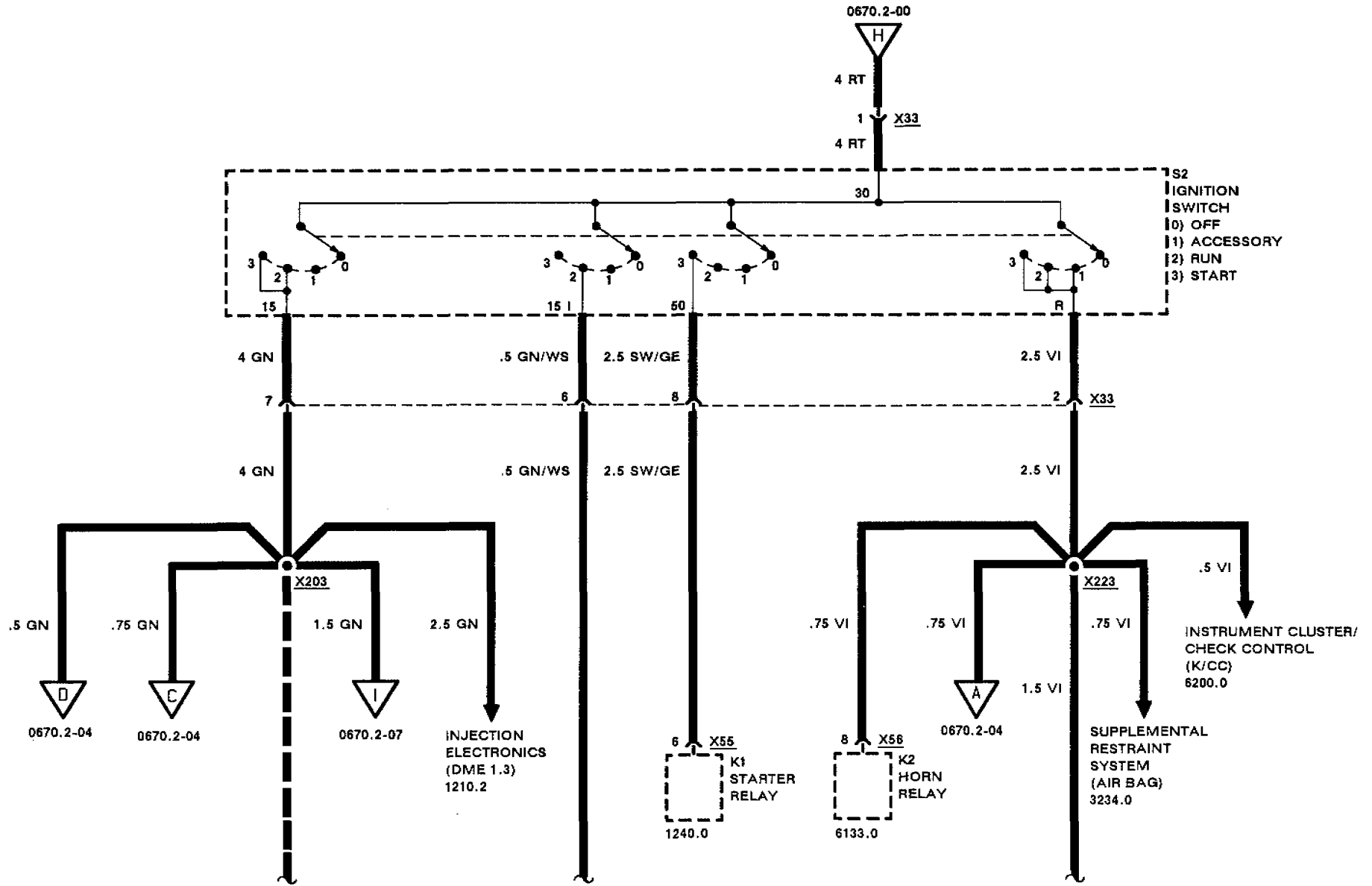
# POWER DISTRIBUTION FRONT POWER DISTRIBUTION BOX



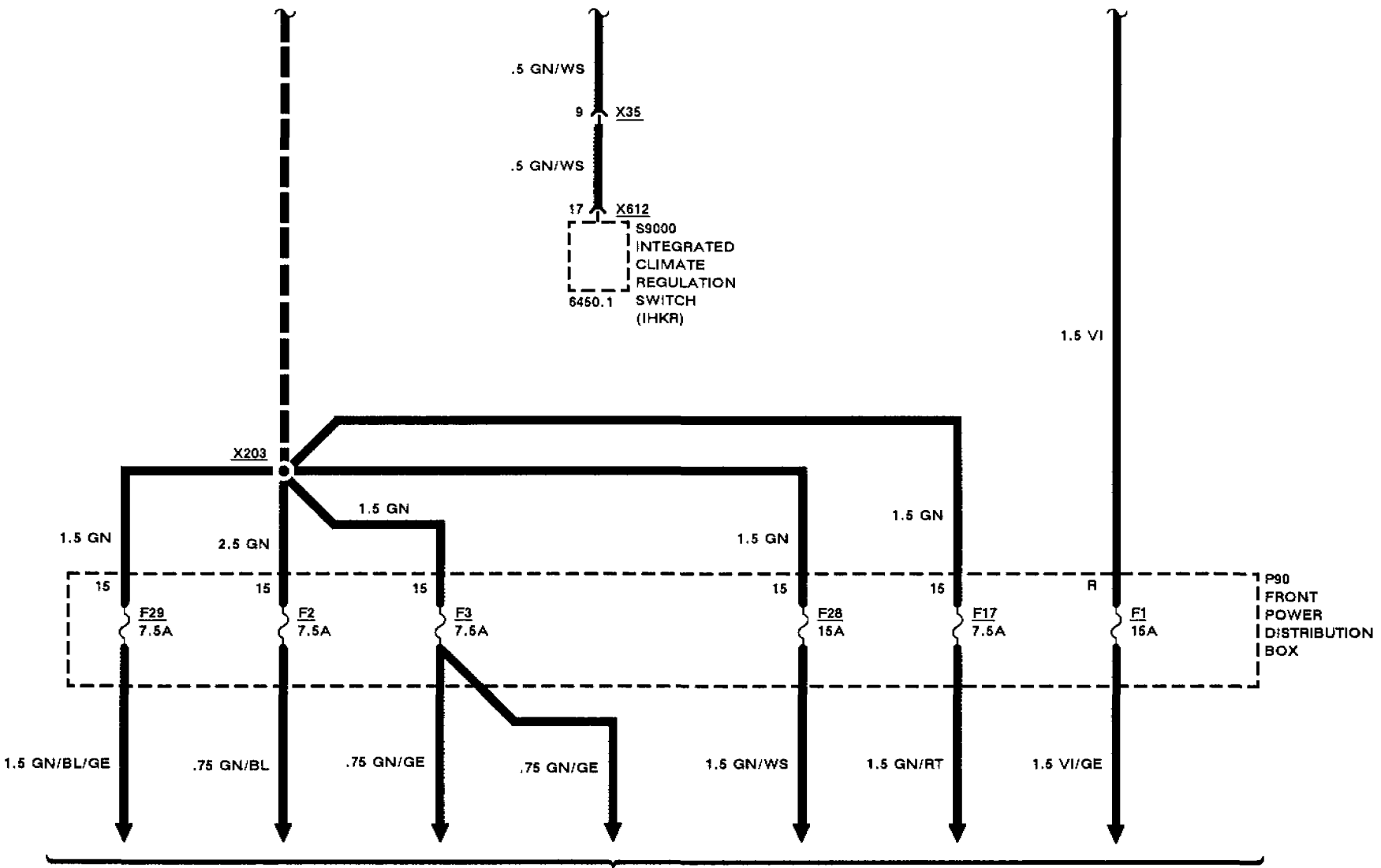


# POWER DISTRIBUTION

## FRONT POWER DISTRIBUTION BOX

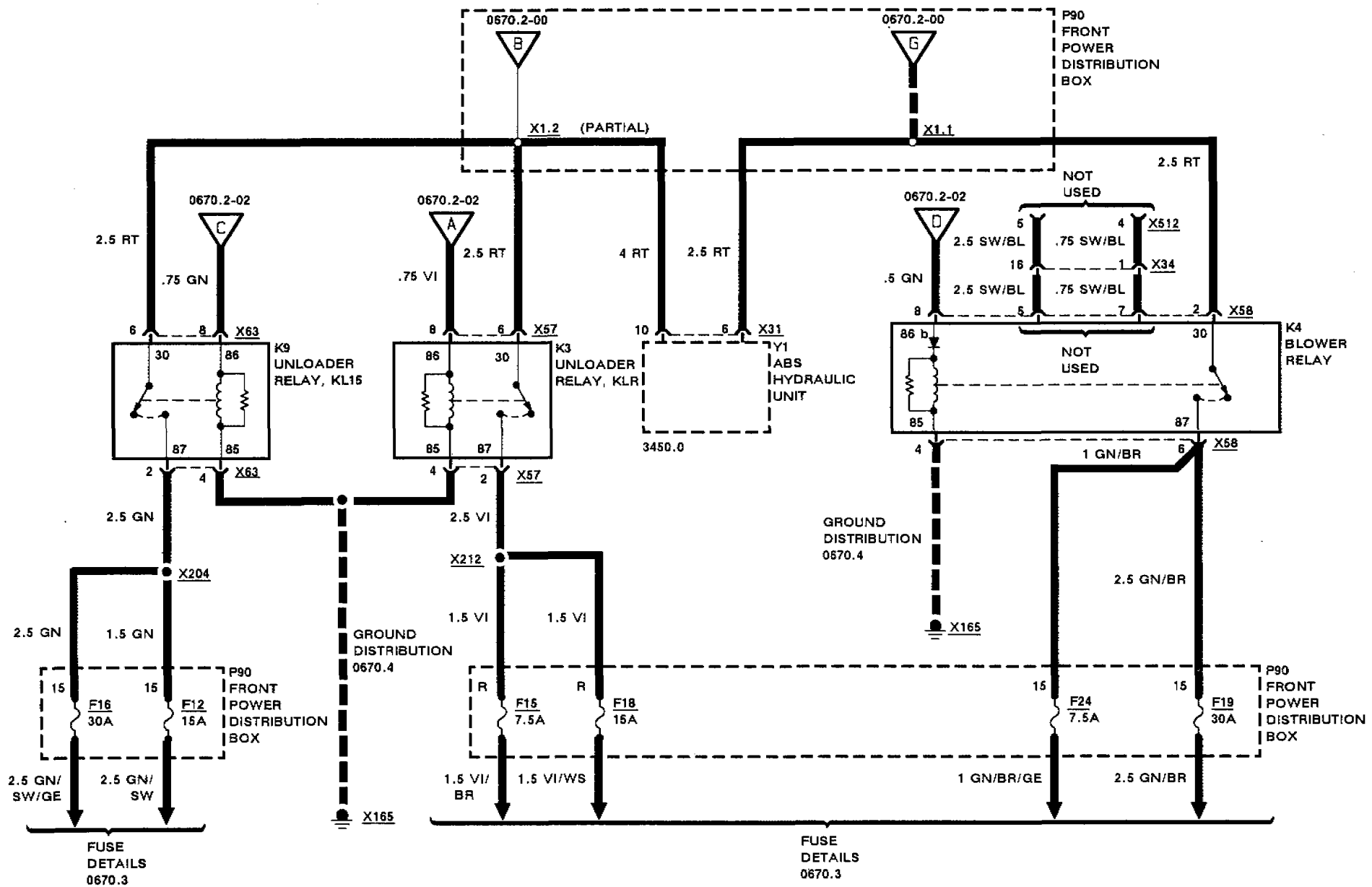






FUSE  
DETAILS  
0670.3

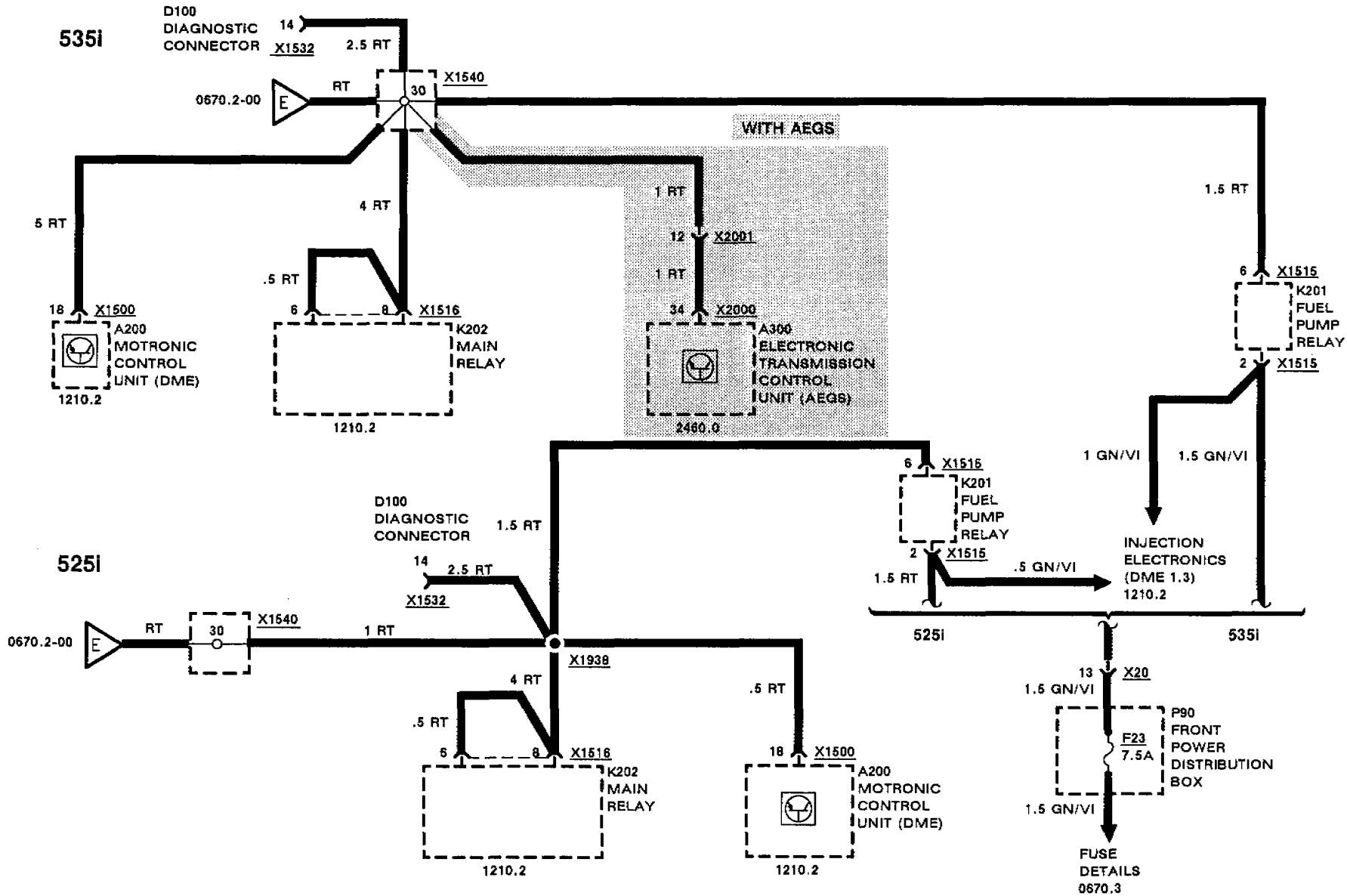
**BMW 5** **POWER DISTRIBUTION**  
**FRONT POWER DISTRIBUTION BOX**





# POWER DISTRIBUTION

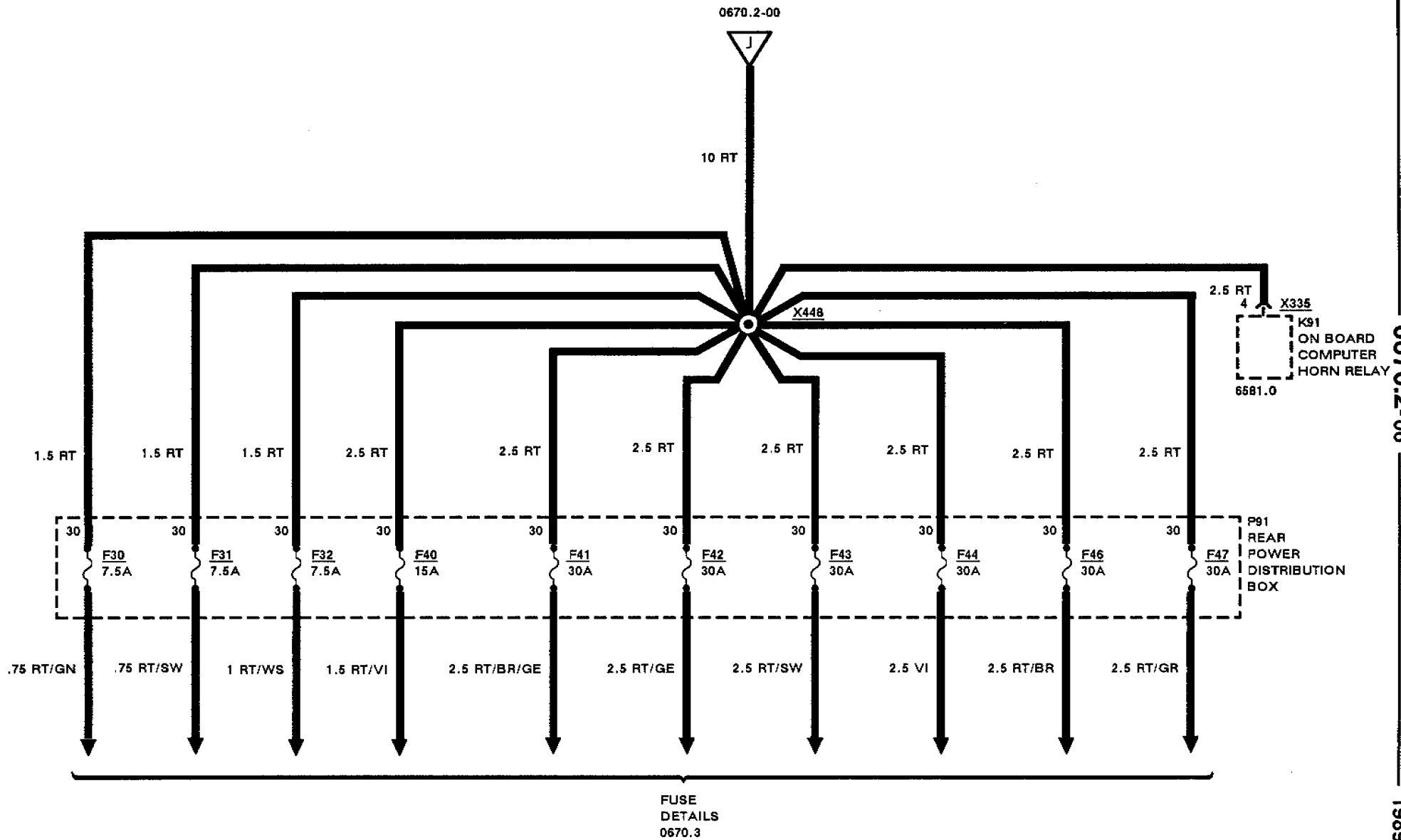
## FRONT POWER DISTRIBUTION BOX





# POWER DISTRIBUTION

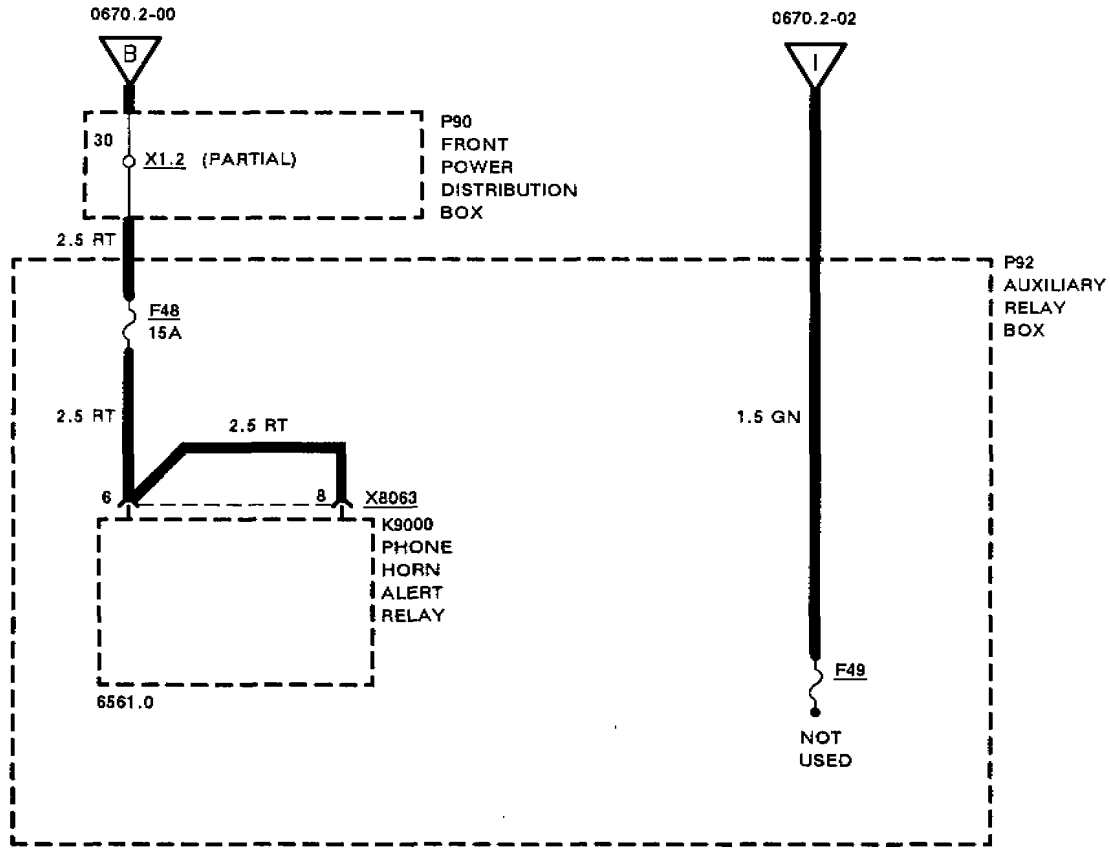
## REAR POWER DISTRIBUTION BOX





# POWER DISTRIBUTION

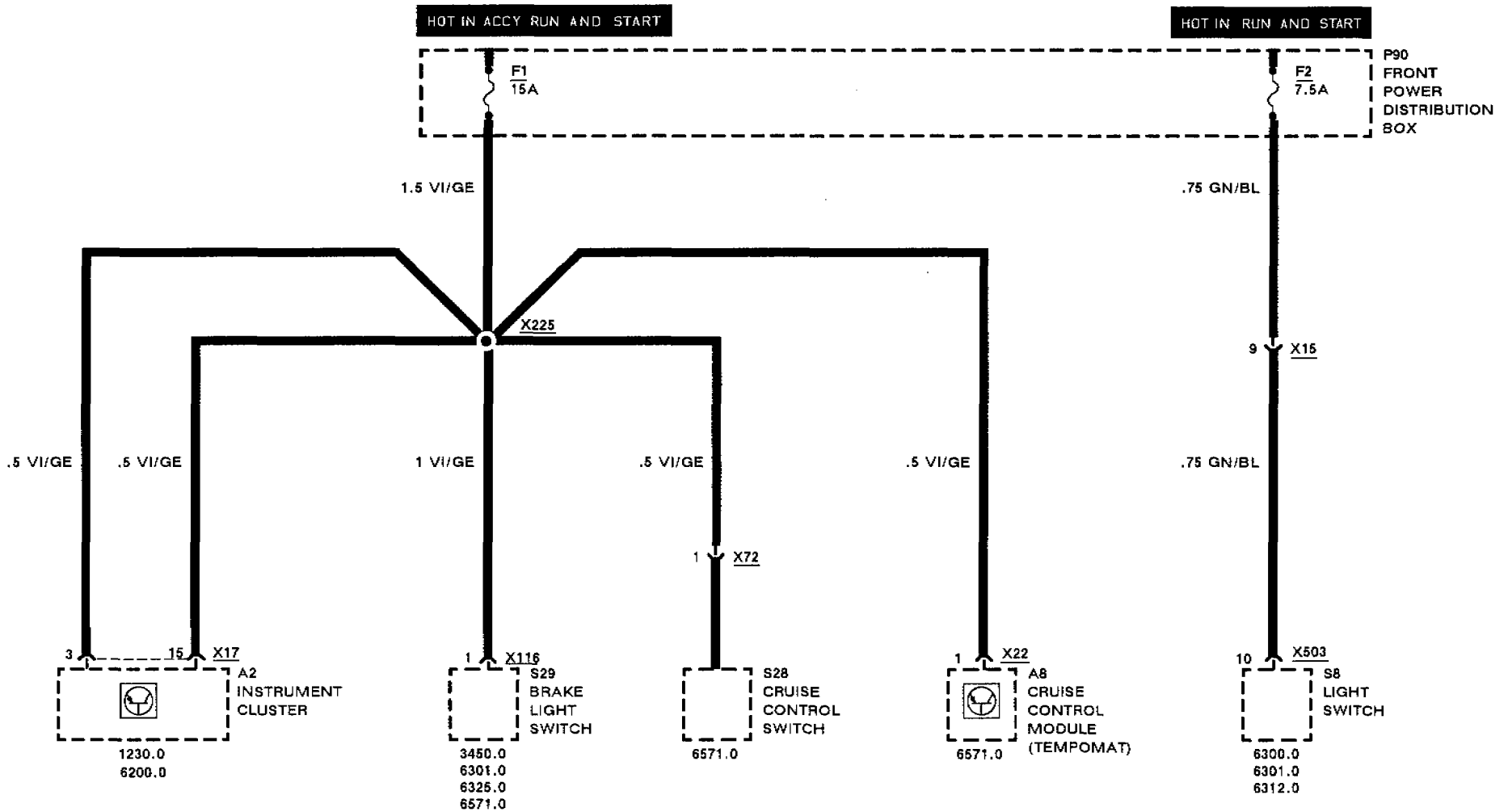
## AUXILIARY RELAY BOX



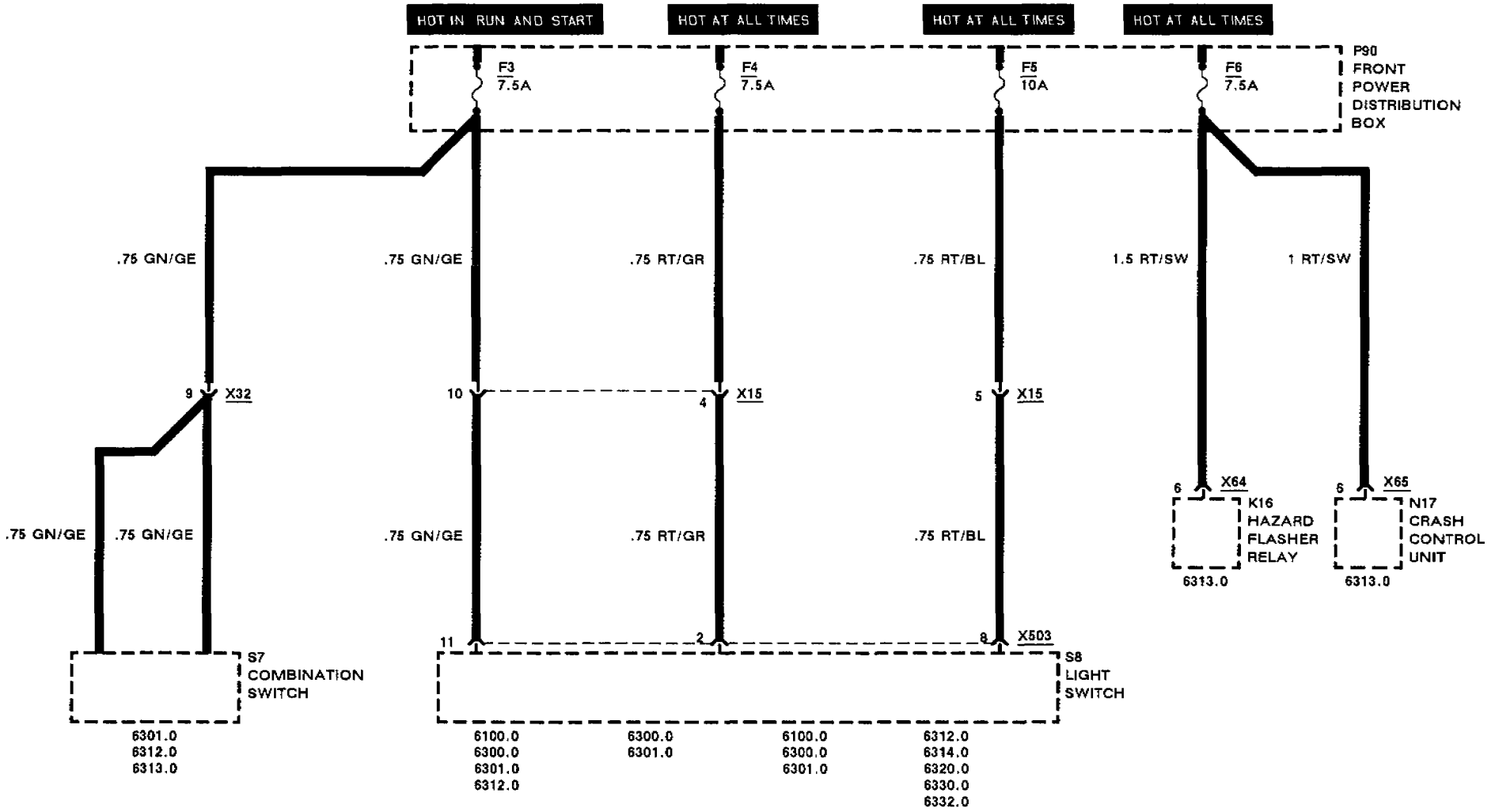


# FUSE DETAILS

## FUSES 1 AND 2



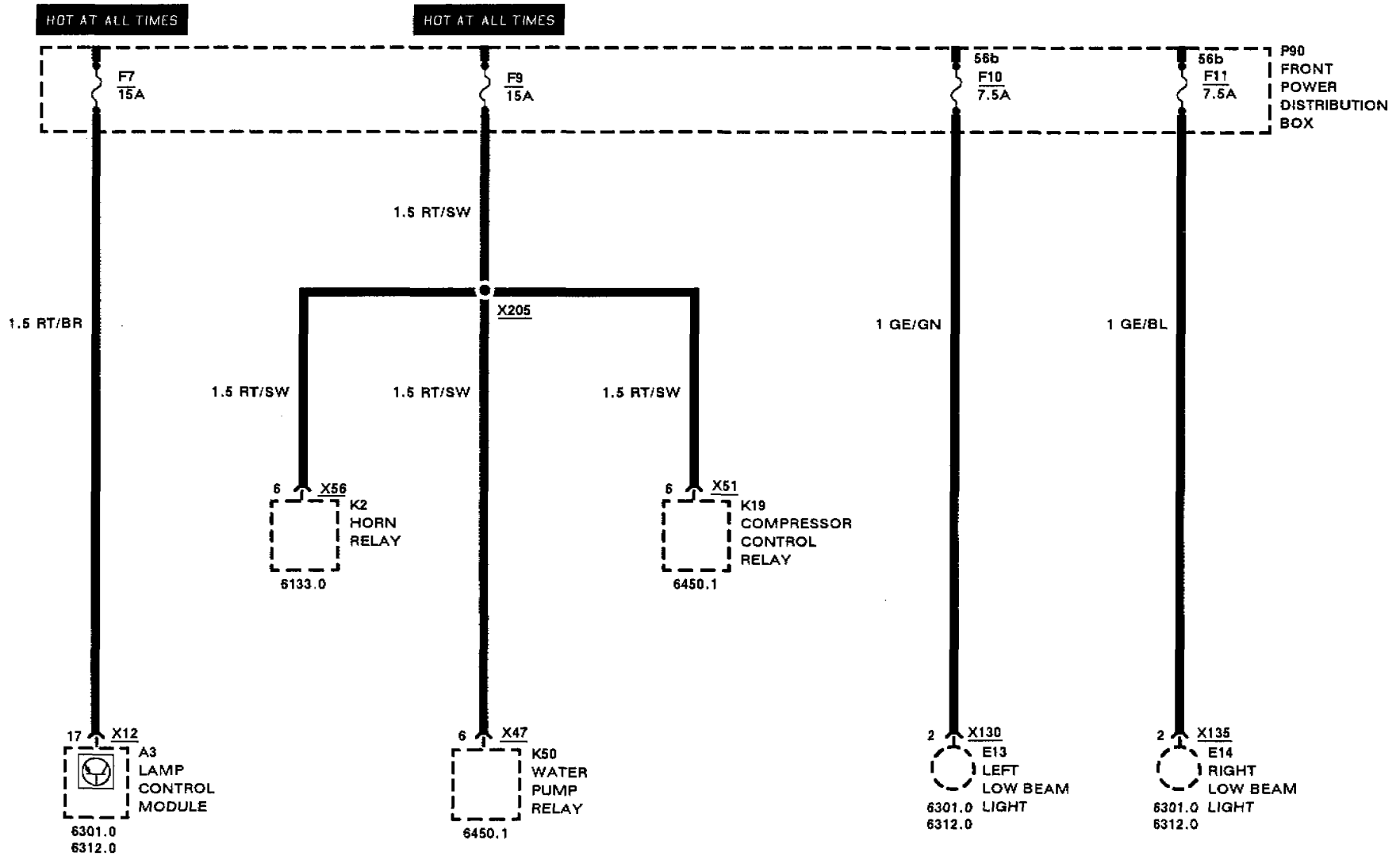
**BMW**  
**5** **FUSE DETAILS**  
**FUSES 3,4,5 AND 6**





# FUSE DETAILS

## FUSES 7, 9, 10 AND 11



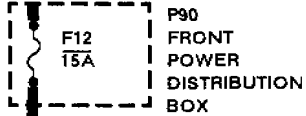




# FUSE DETAILS

## FUSE 12

HOT IN RUN AND START



2.5 GN/SW

X200

1 GN/SW

16

1 GN/SW

0670.3-04

X15

2.5 GN/SW

22

X14

2.5 GN/SW

X433

1 GN/SW

18

X257

.75 GN/SW

4

X626

S17  
MIRROR  
CONTROL  
SWITCH

5116.0

1 GN/SW

18

X256

NOT  
USED

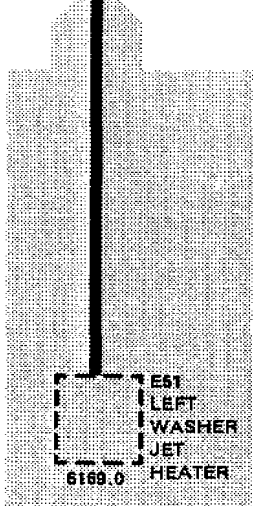
(535i  
ONLY)

(535i  
ONLY)

.75 GN/SW

2

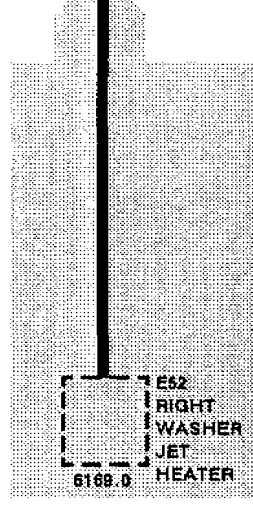
X105



.75 GN/SW

2

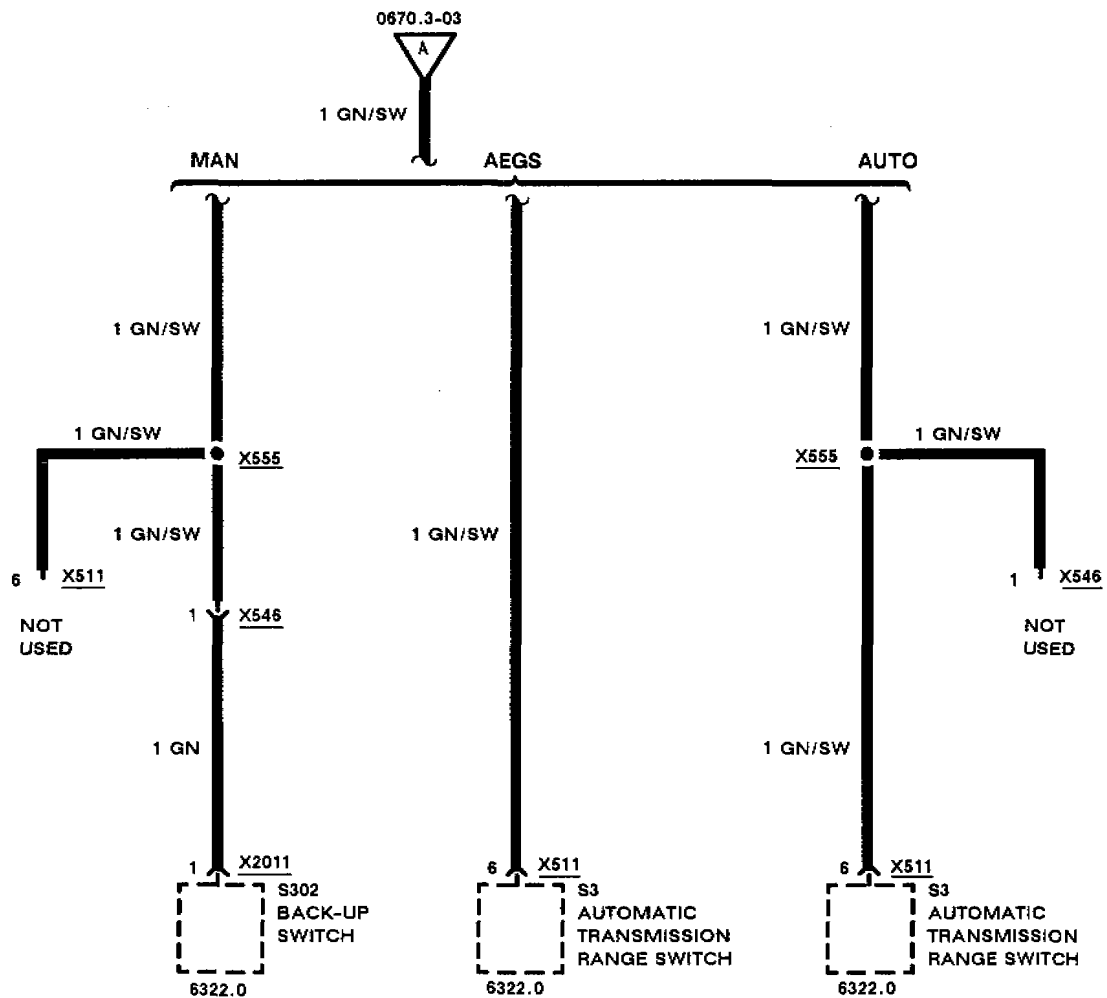
X106





# FUSE DETAILS

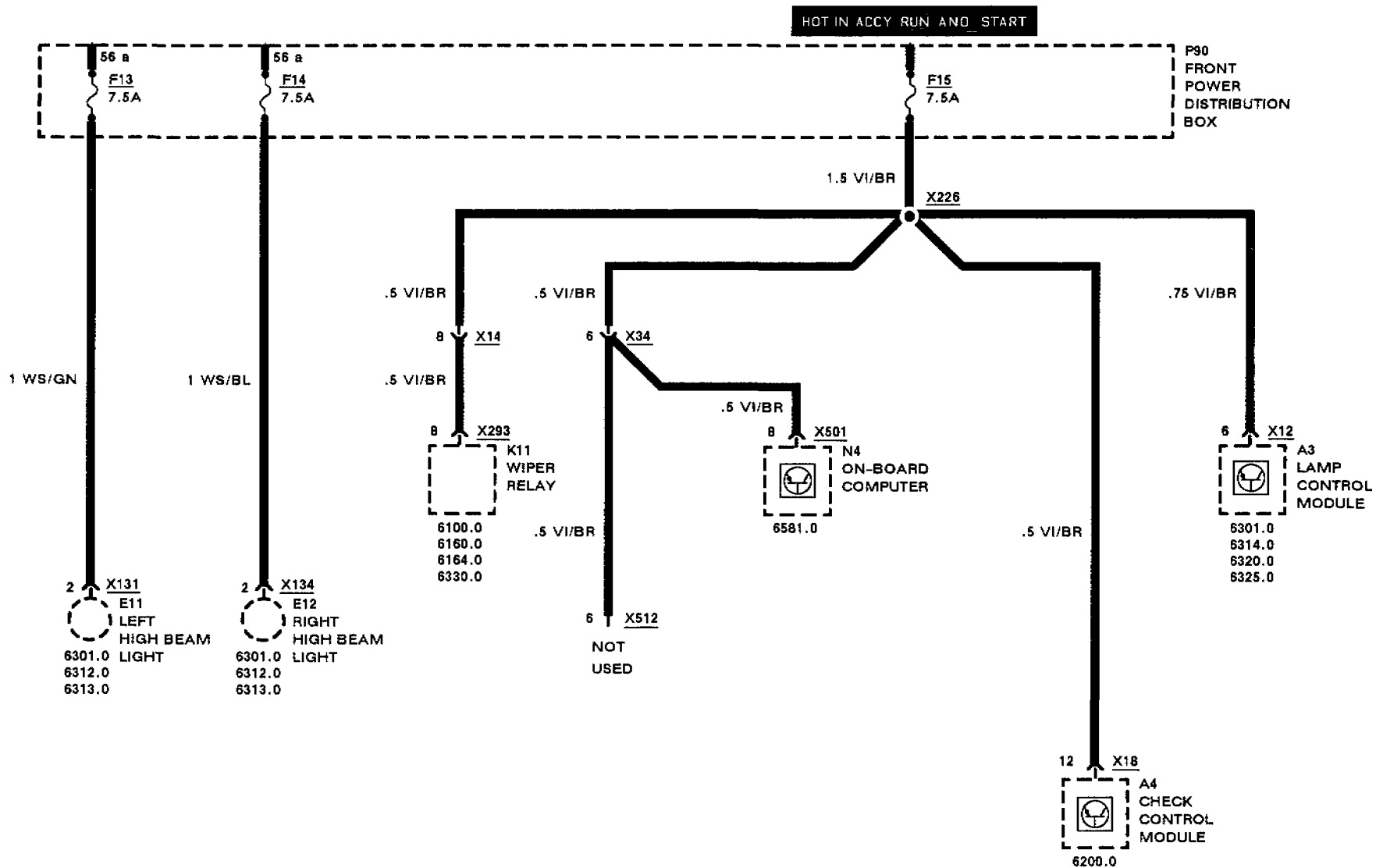
## FUSE 12





# FUSE DETAILS

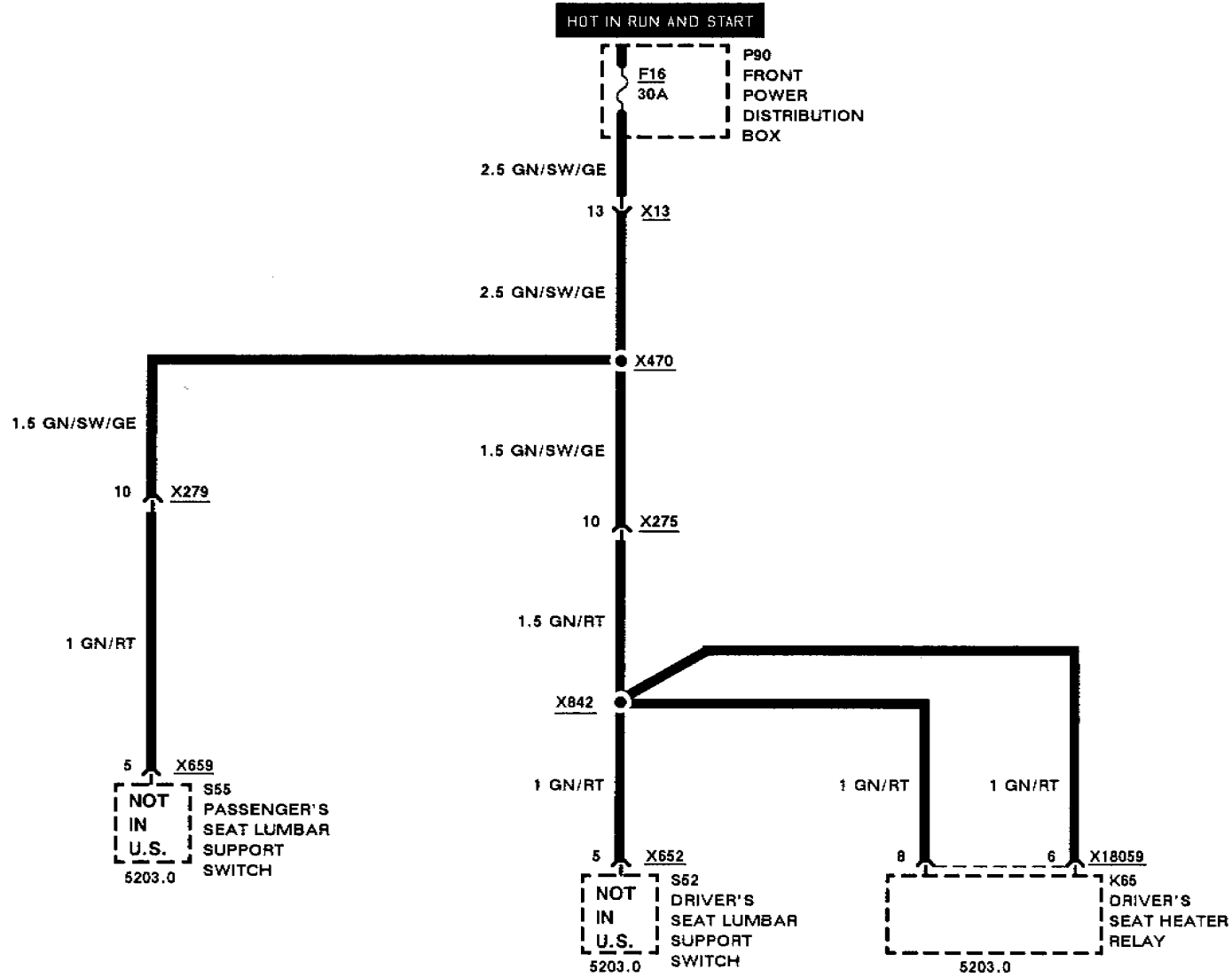
## FUSES 13,14 AND 15





# FUSE DETAILS

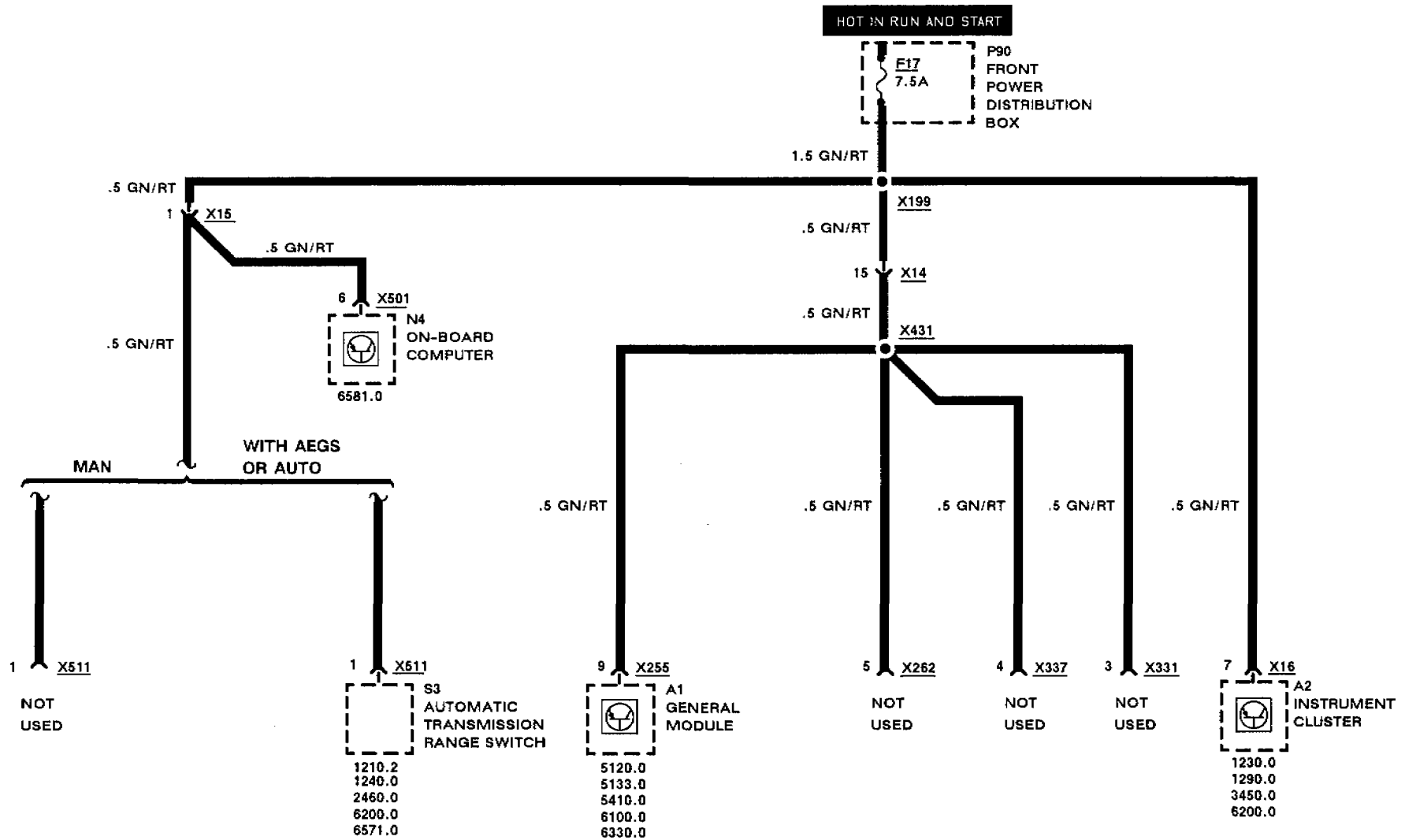
## FUSE 16





# FUSE DETAILS

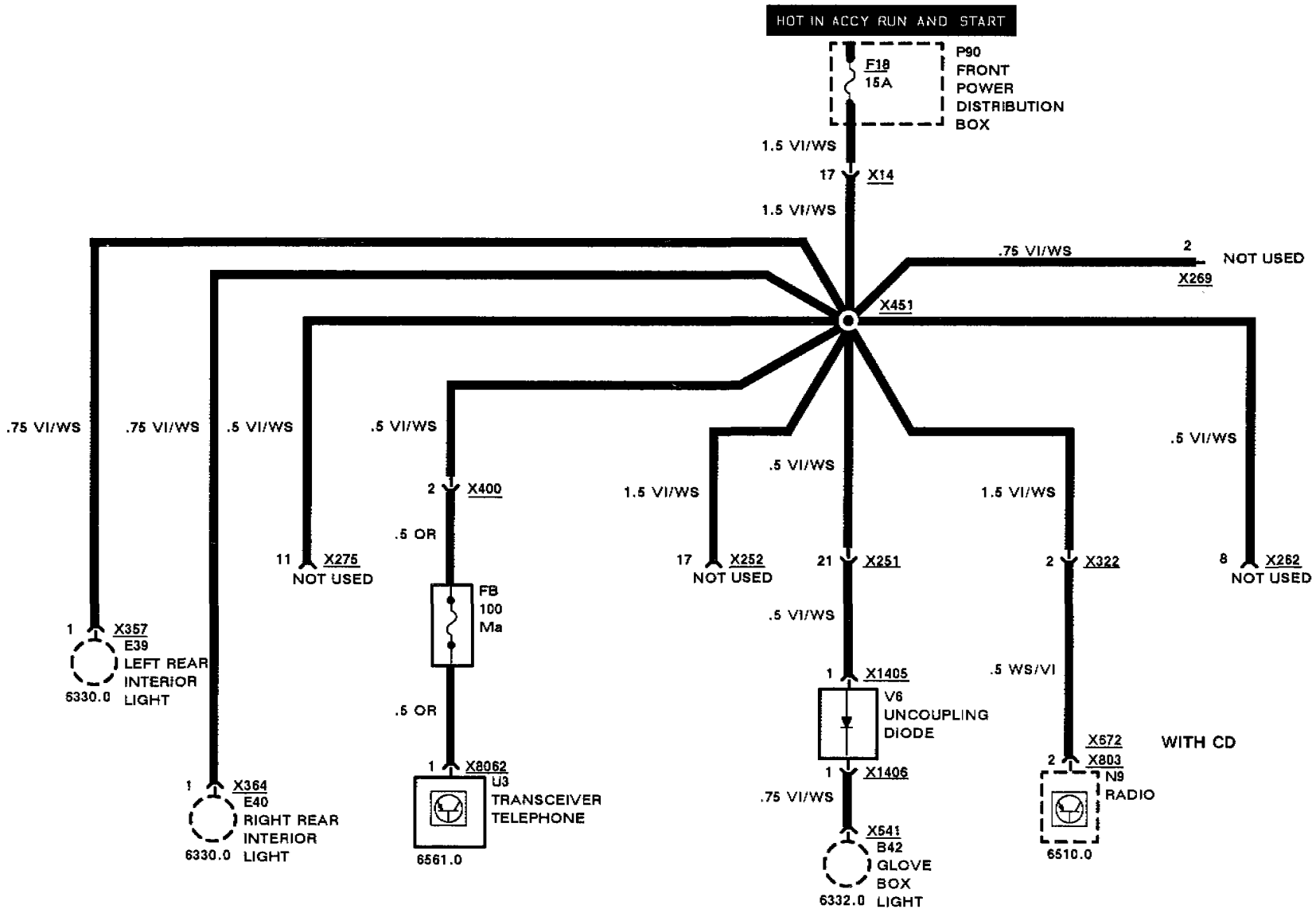
## FUSE 17





# FUSE DETAILS

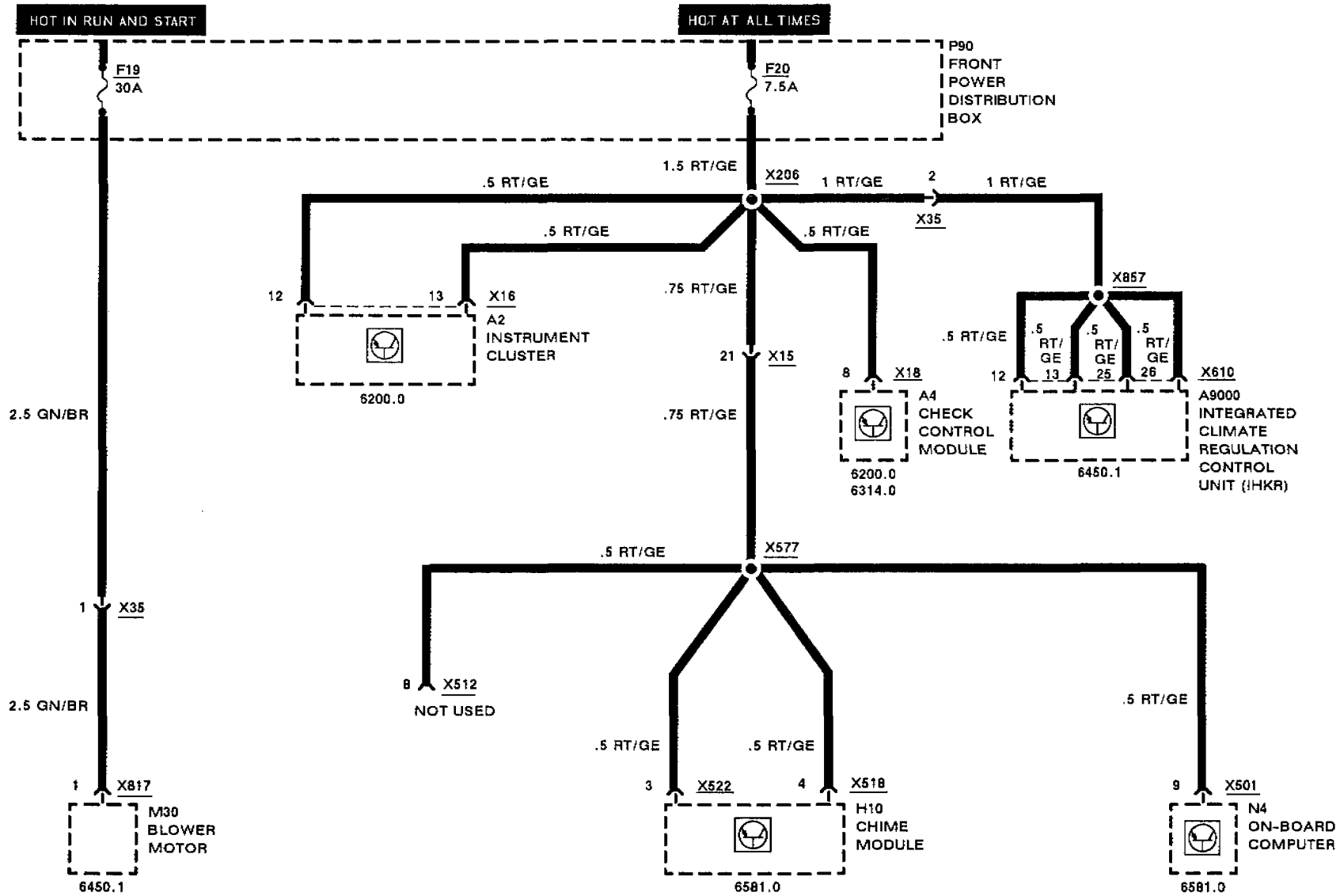
## FUSE 18





# FUSE DETAILS

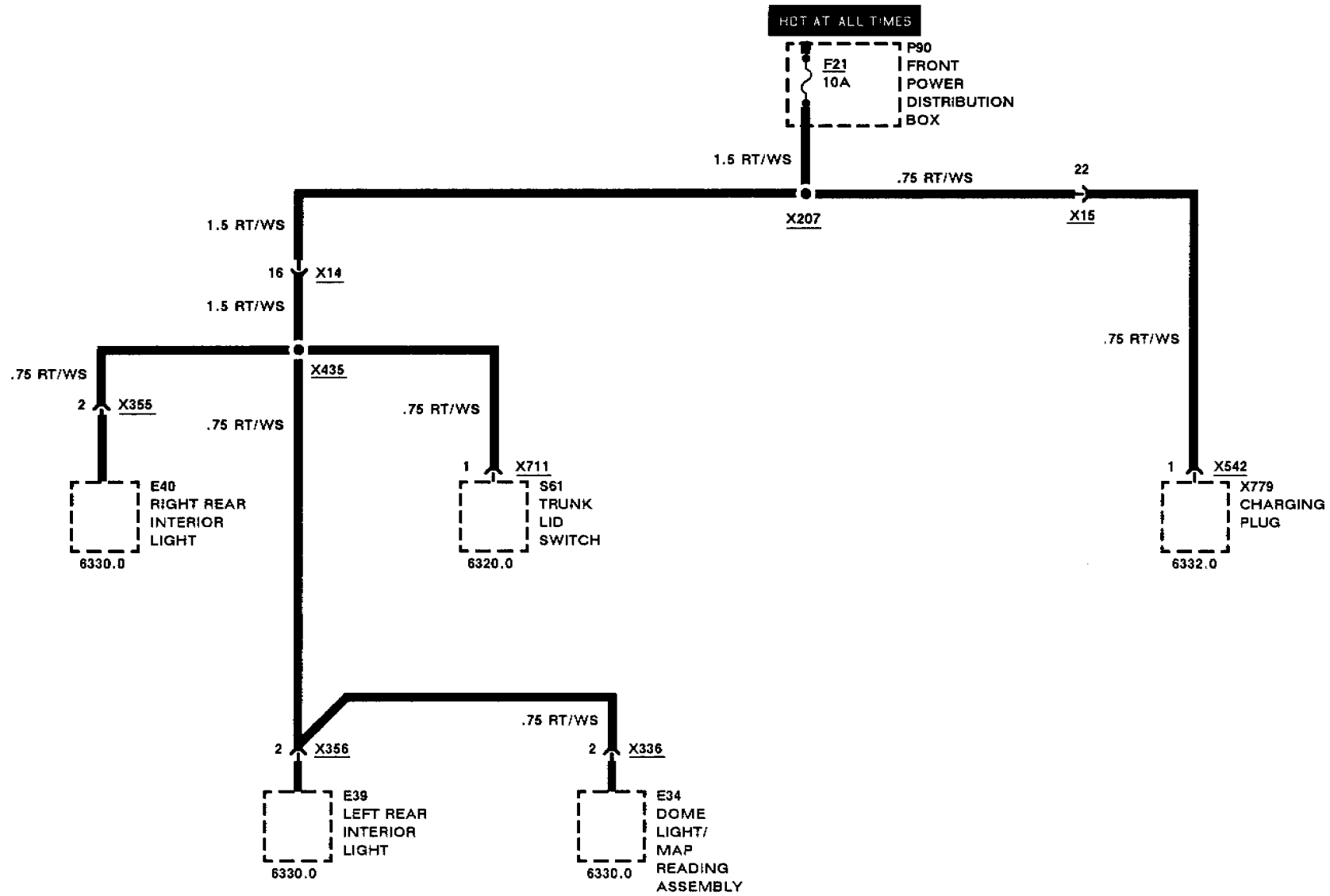
## FUSES 19 AND 20





# FUSE DETAILS

## FUSE 21

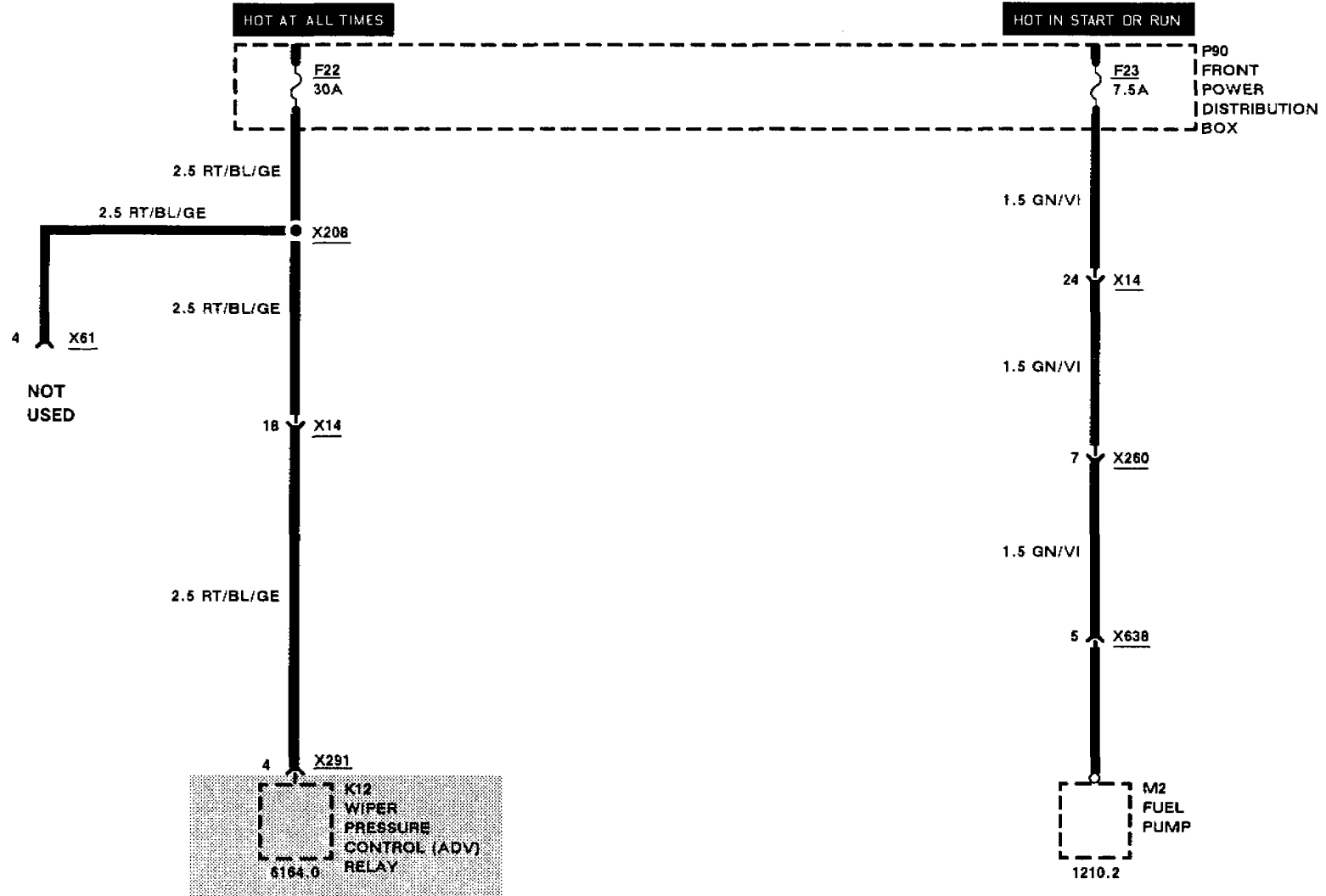






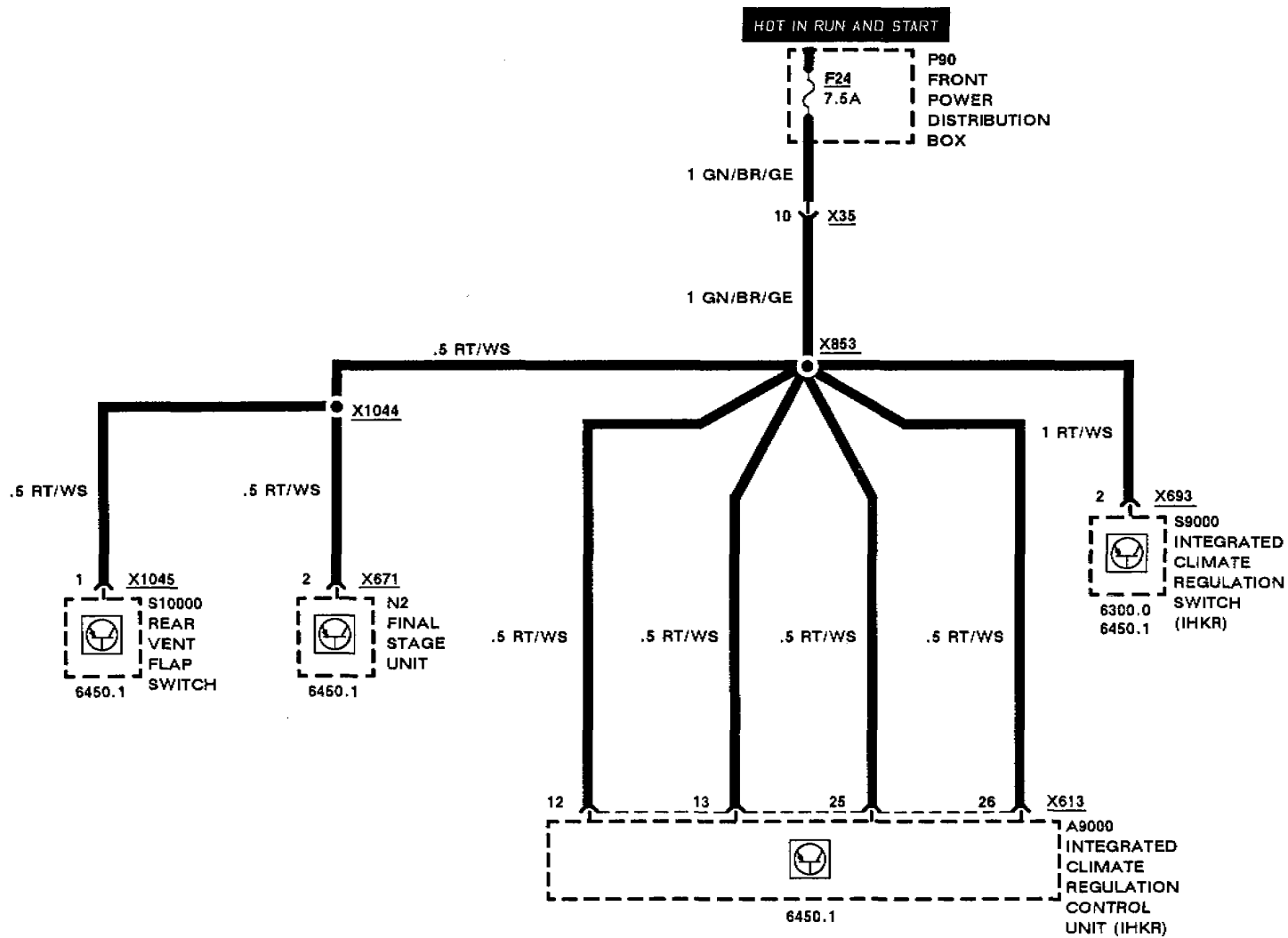
# FUSE DETAILS

## FUSES 22 AND 23



(535i ONLY)

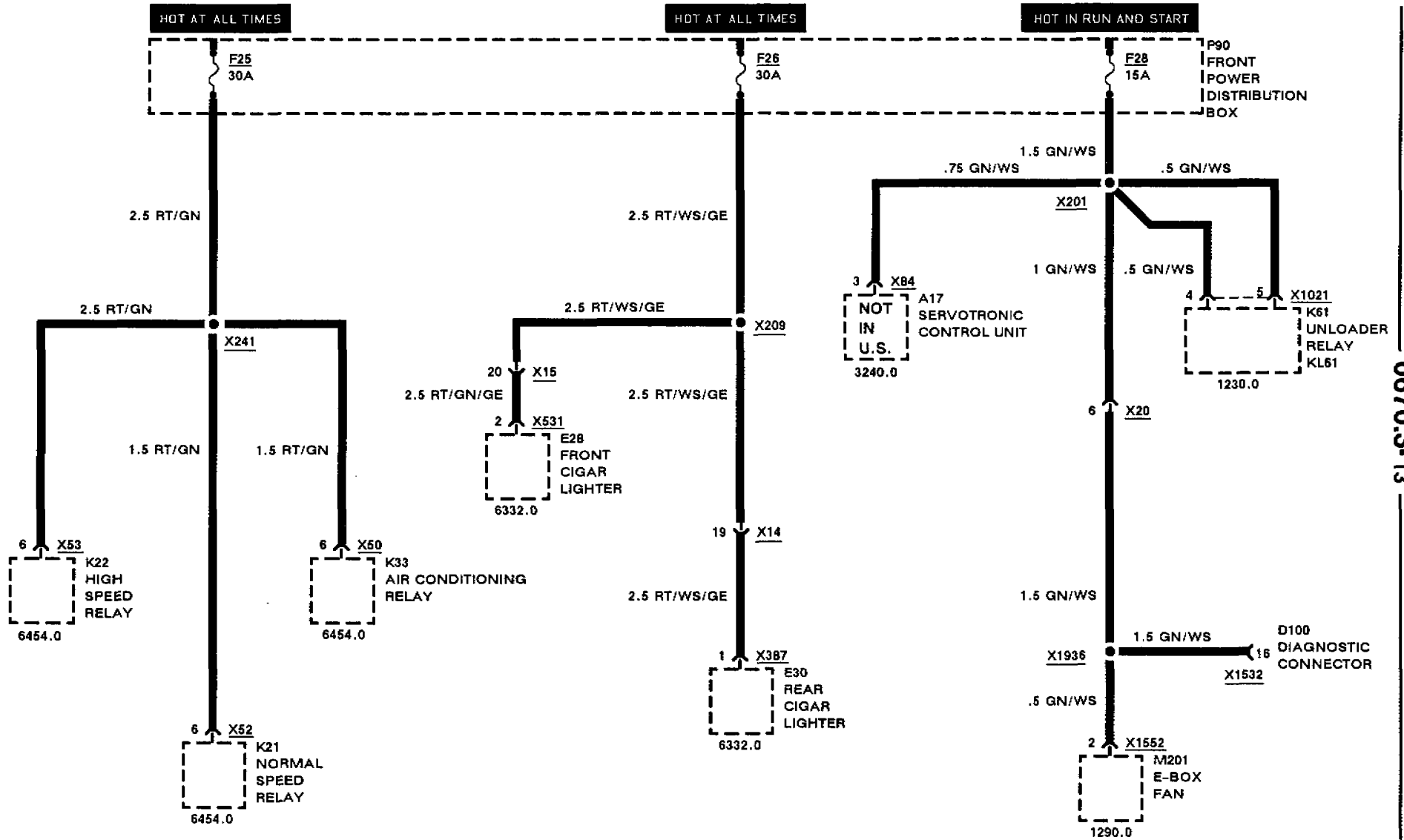
**BMW**  
**5** FUSE DETAILS  
FUSE 24





# FUSE DETAILS

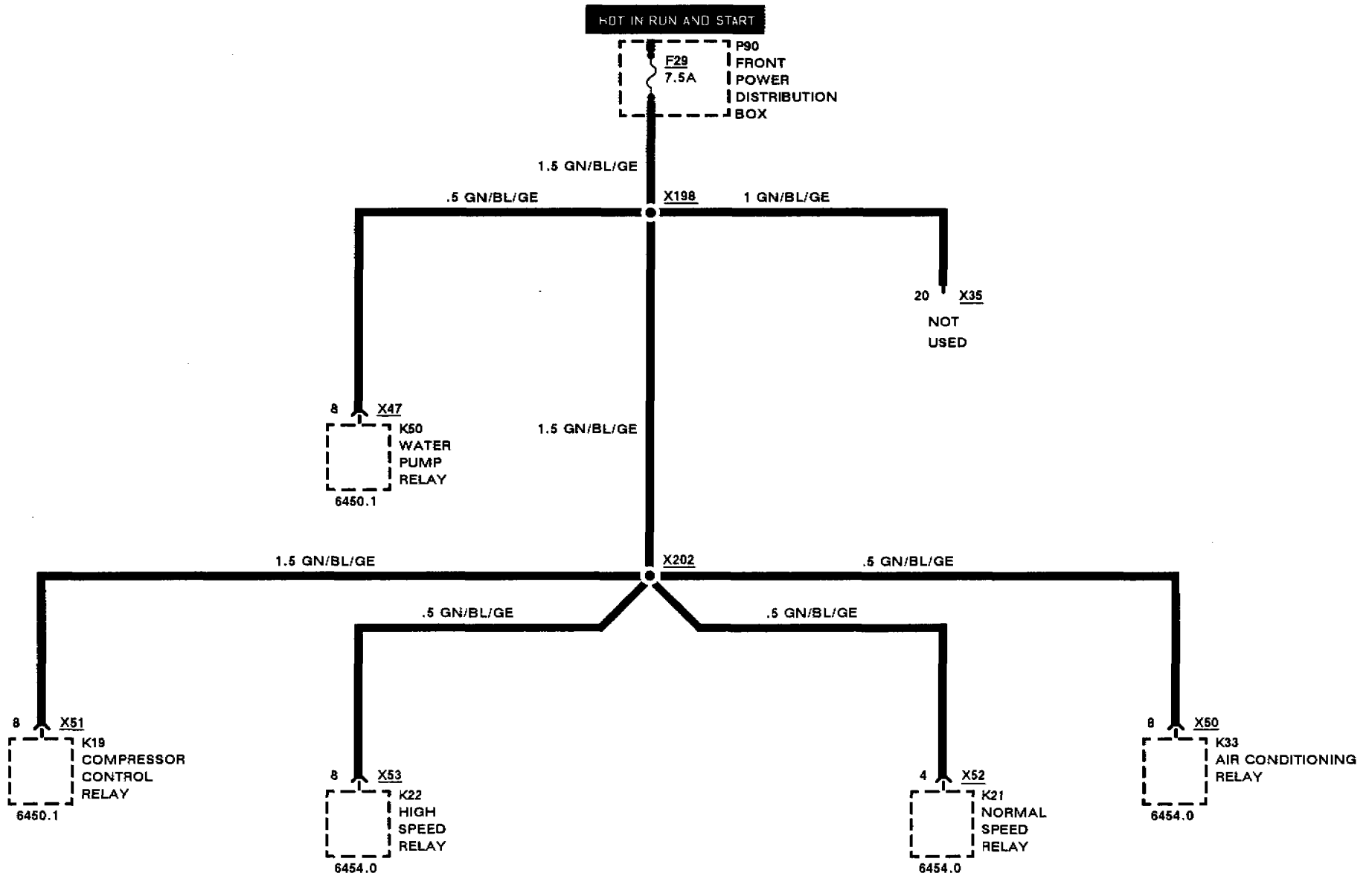
## FUSES 25, 26 AND 28





# FUSE DETAILS

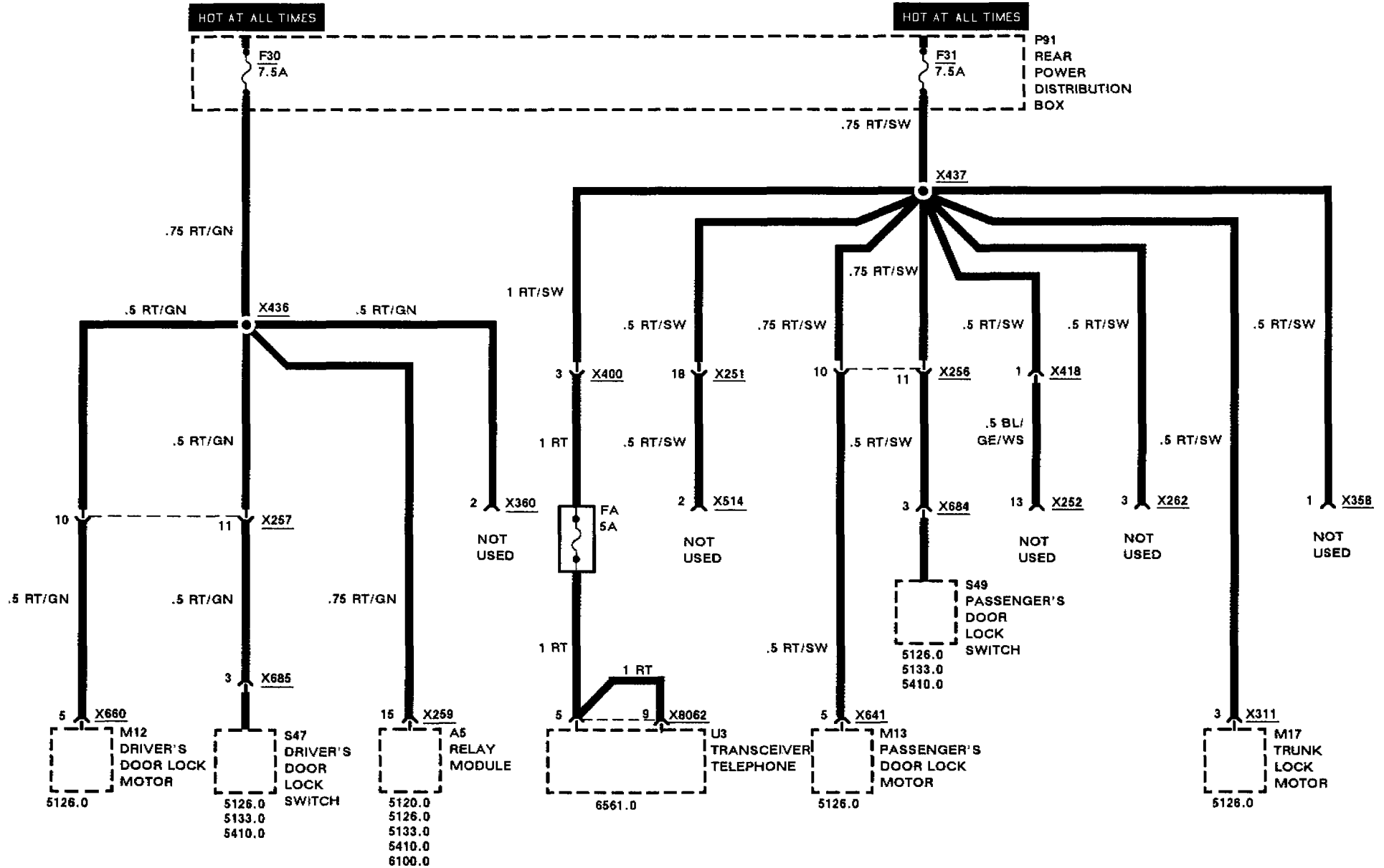
## FUSE 29





# FUSE DETAILS

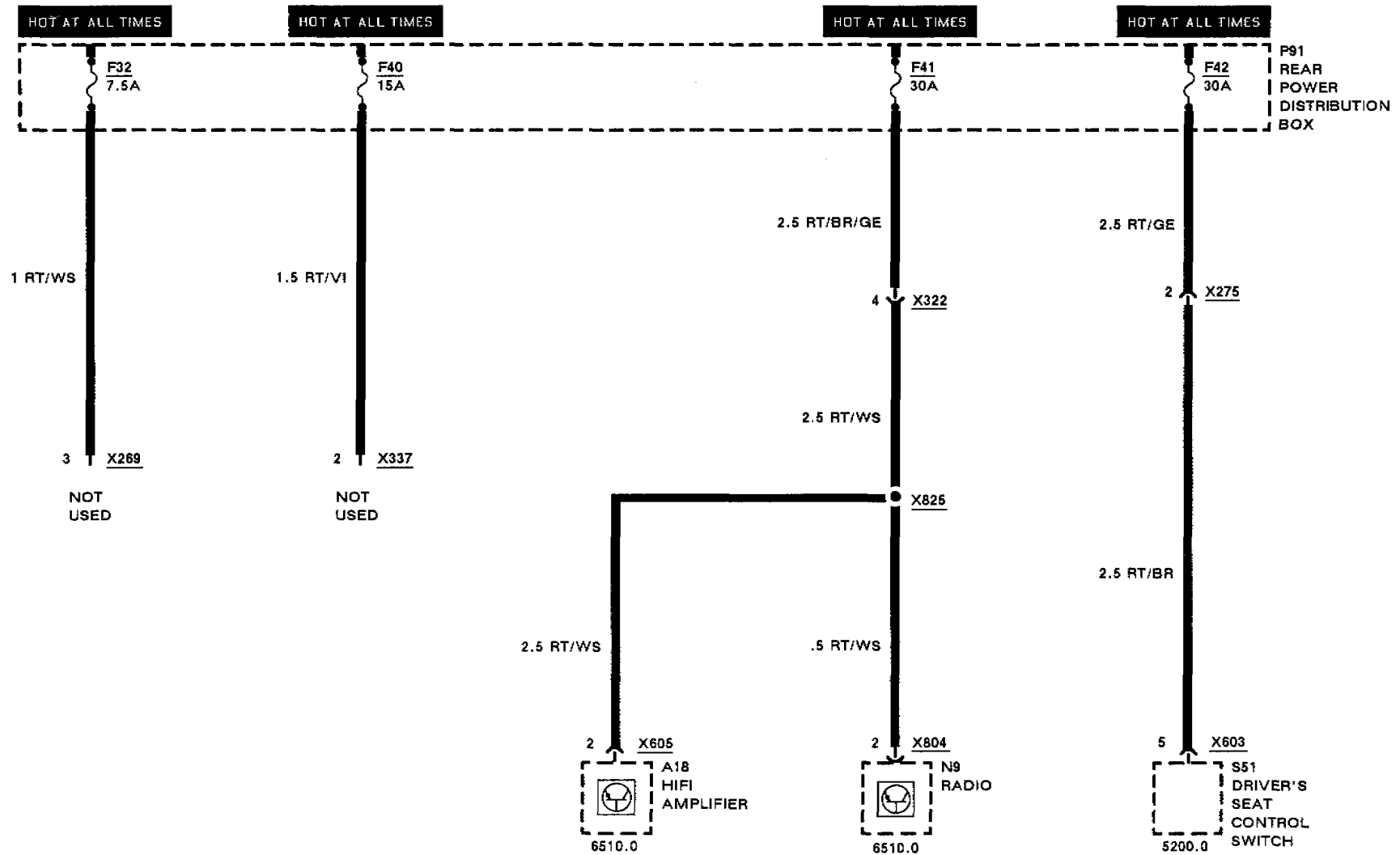
## FUSES 30 AND 31





# FUSE DETAILS

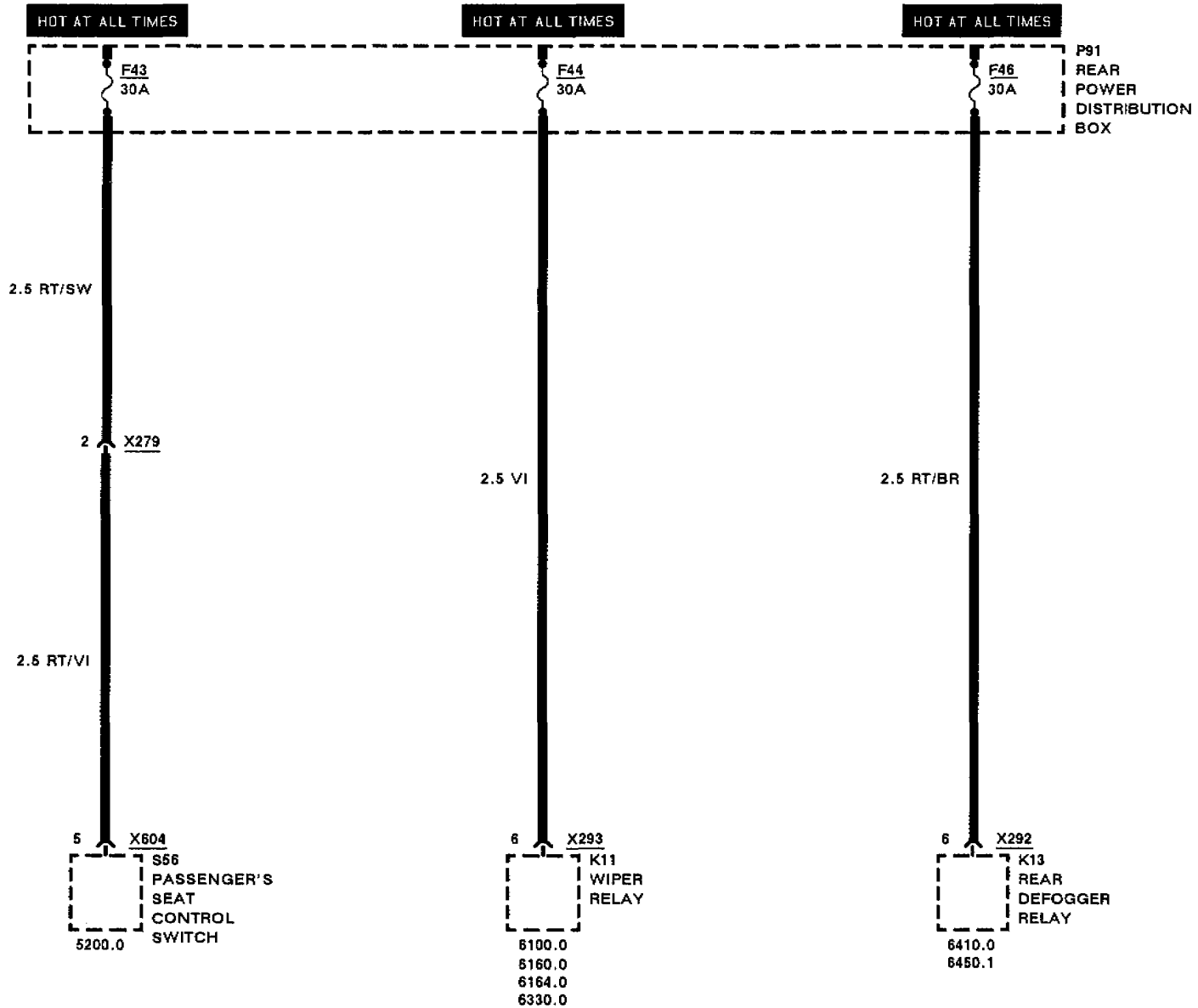
## FUSES 32, 40, 41 AND 42





# FUSE DETAILS

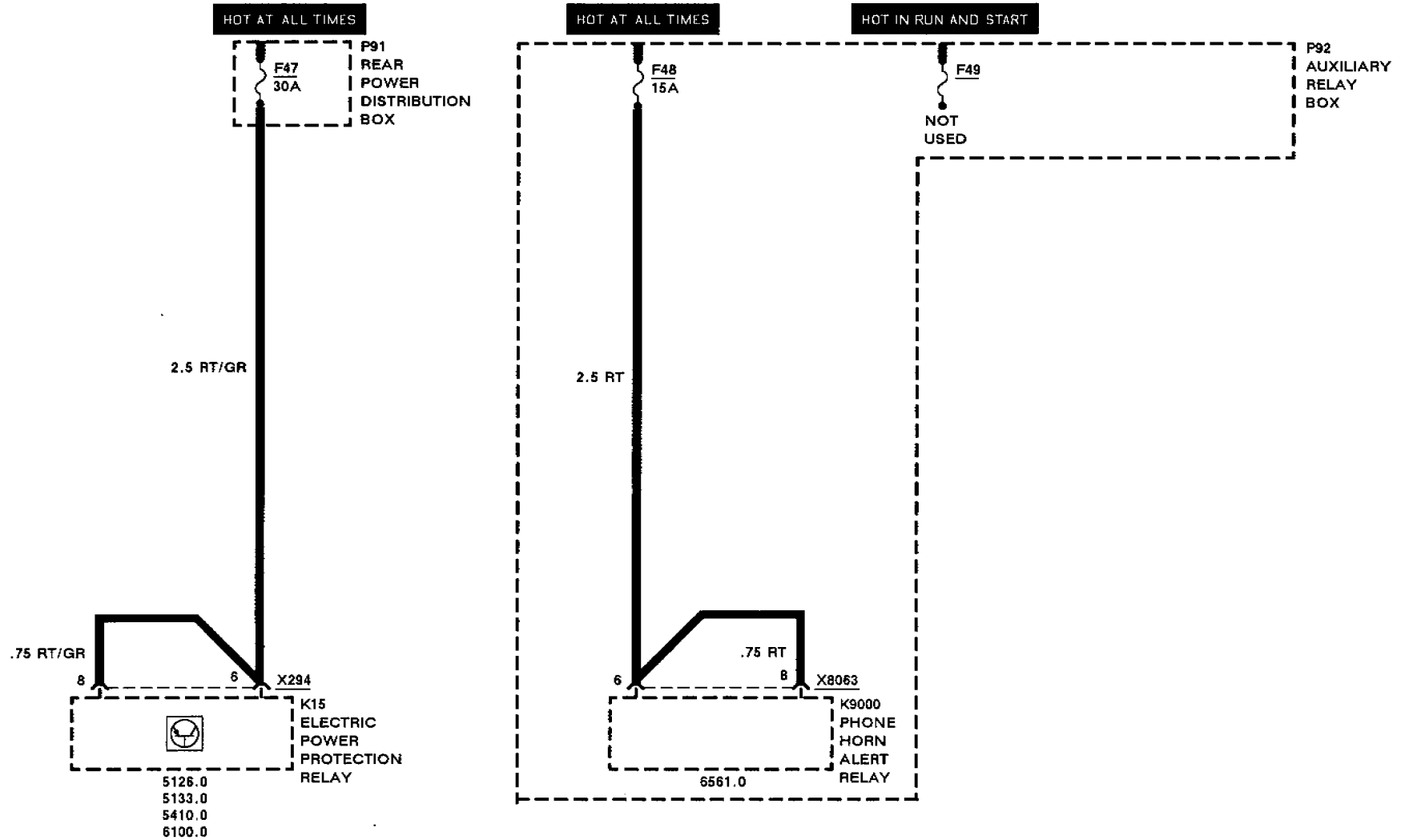
## FUSES 43,44 AND 46





# FUSE DETAILS

## FUSES 47, 48 AND 49

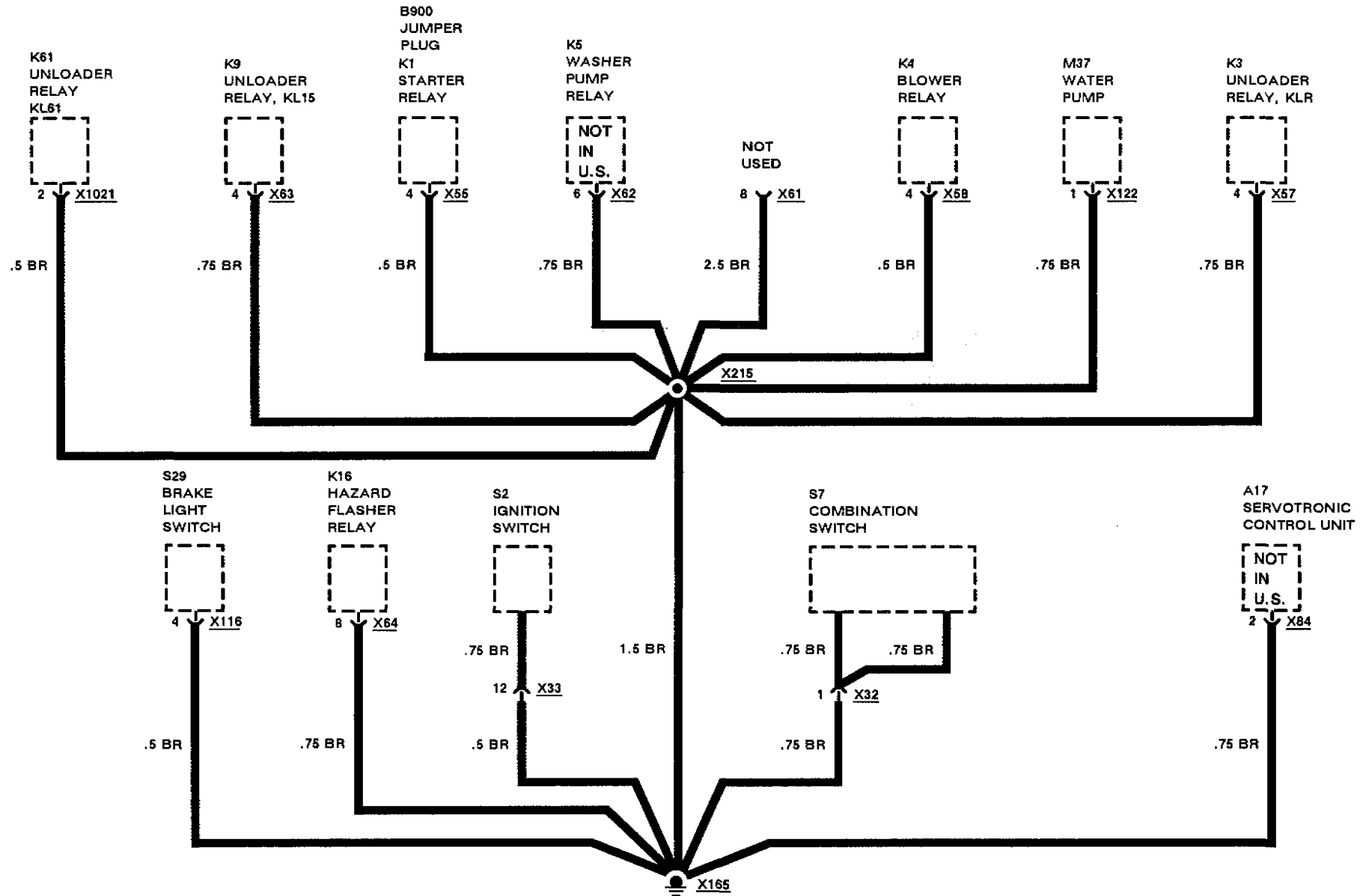






# GROUND DISTRIBUTION

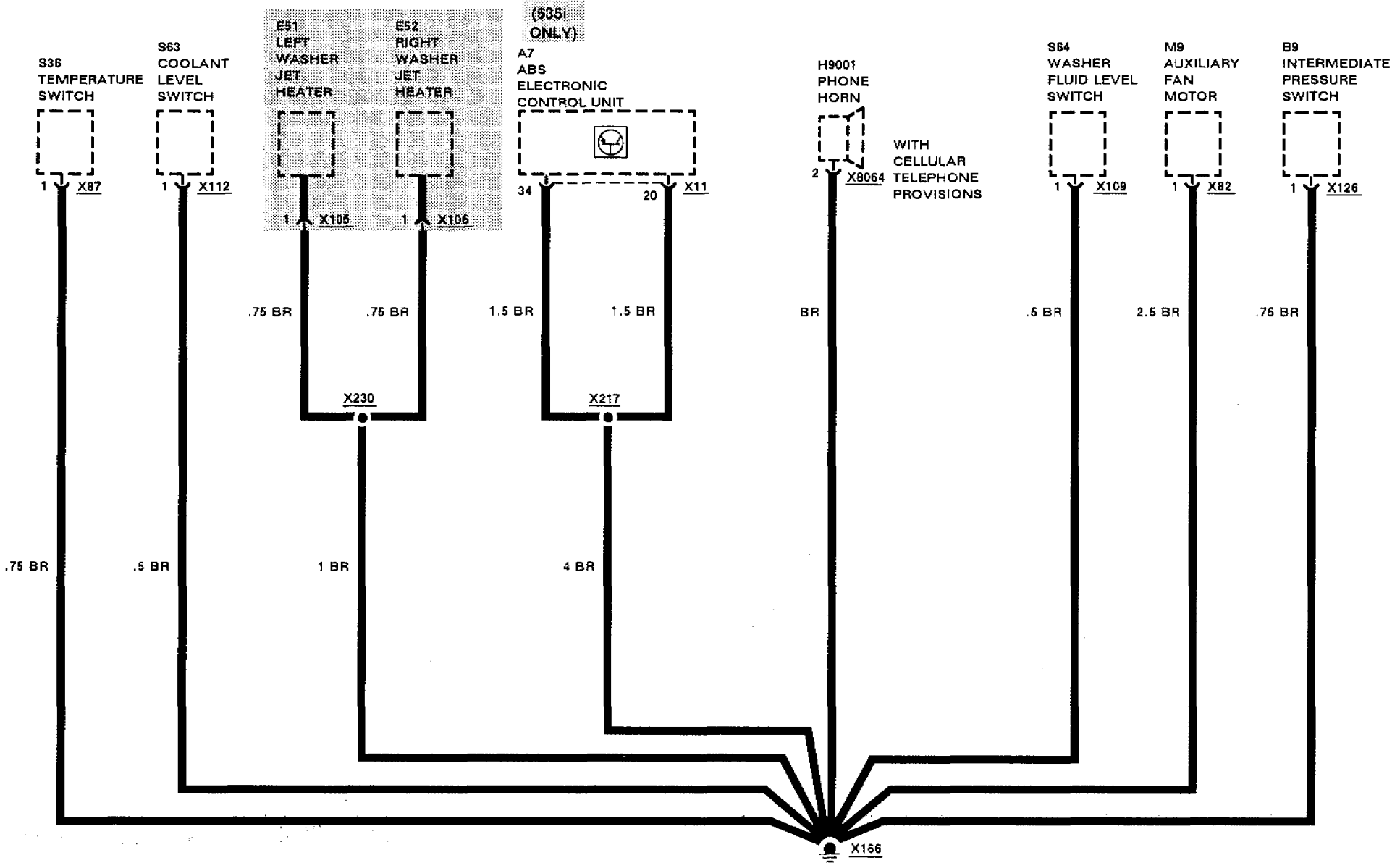
## GROUND X165





# GROUND DISTRIBUTION

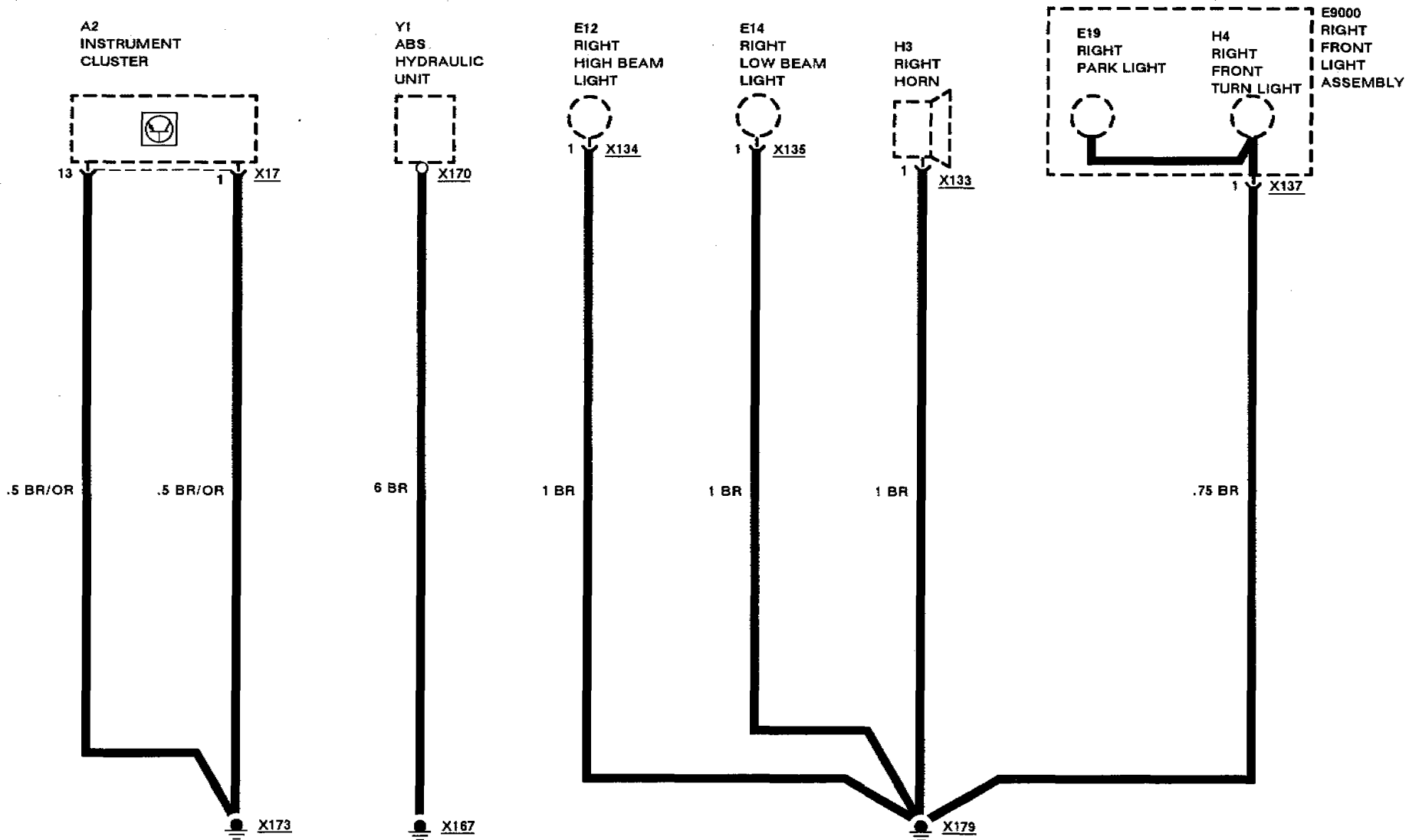
## GROUND X166



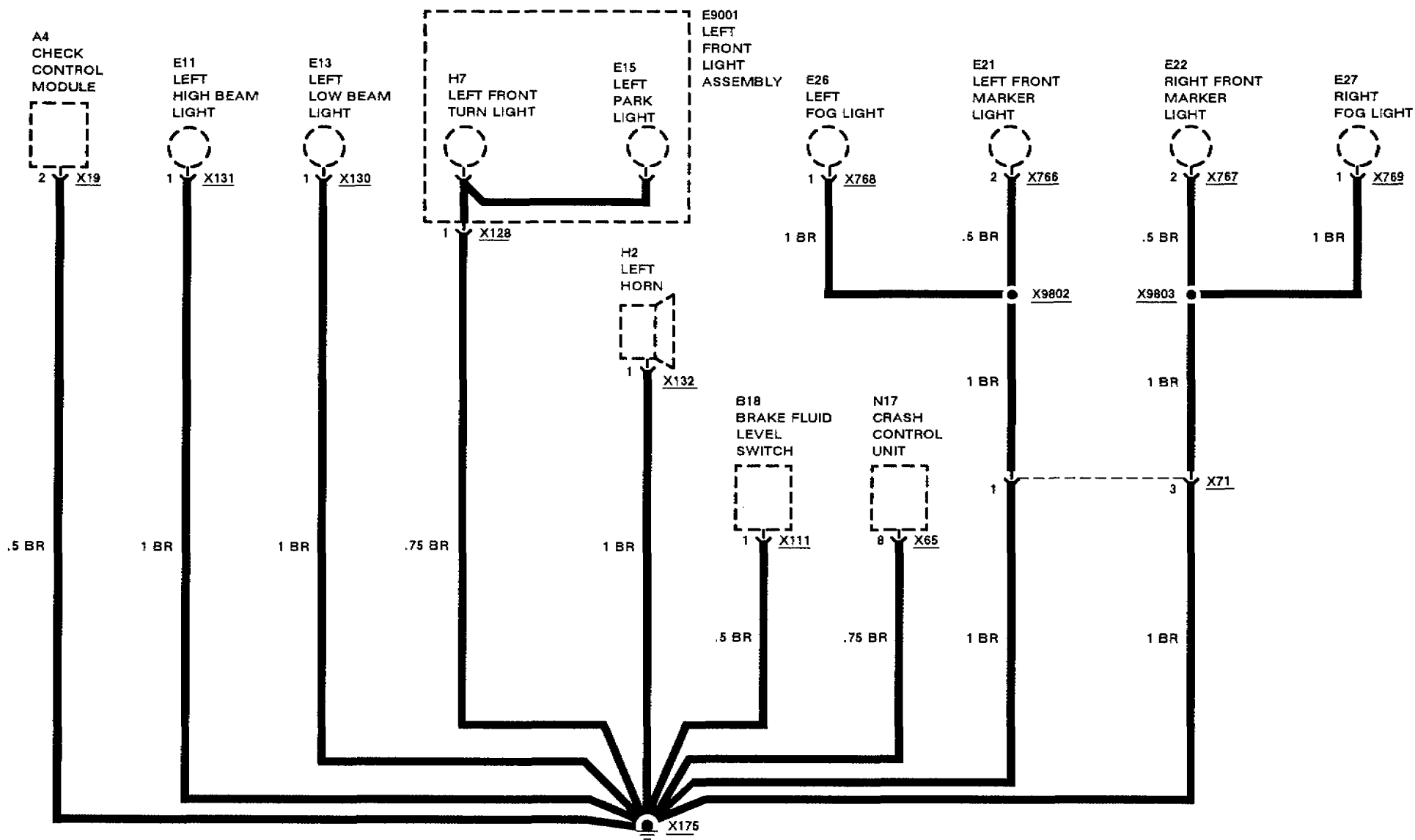


# GROUND DISTRIBUTION

GROUNDS X167, X173 AND X179



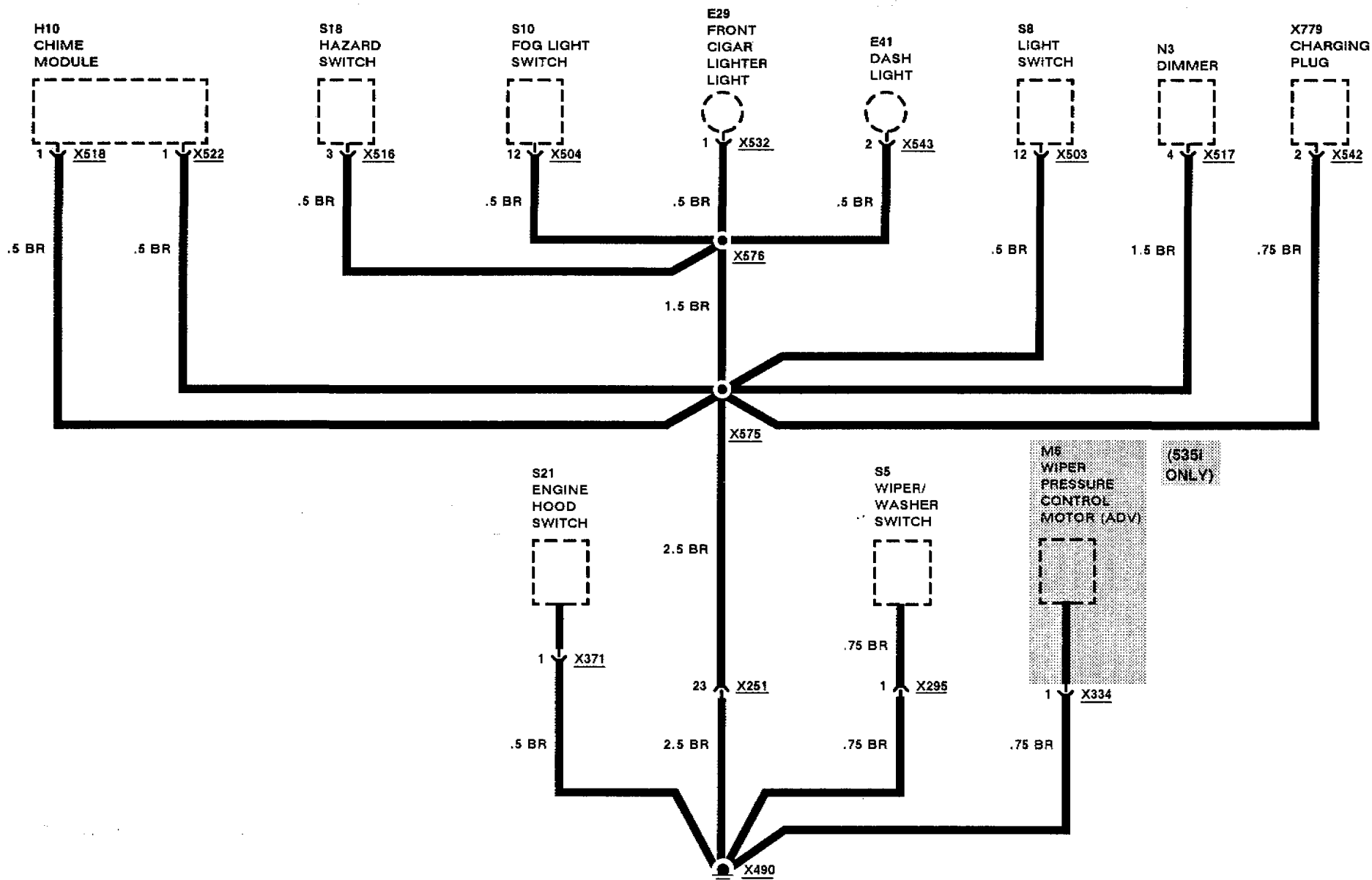
**BMW 5** **GROUND DISTRIBUTION**  
GROUND X175





# GROUND DISTRIBUTION

## GROUND X490

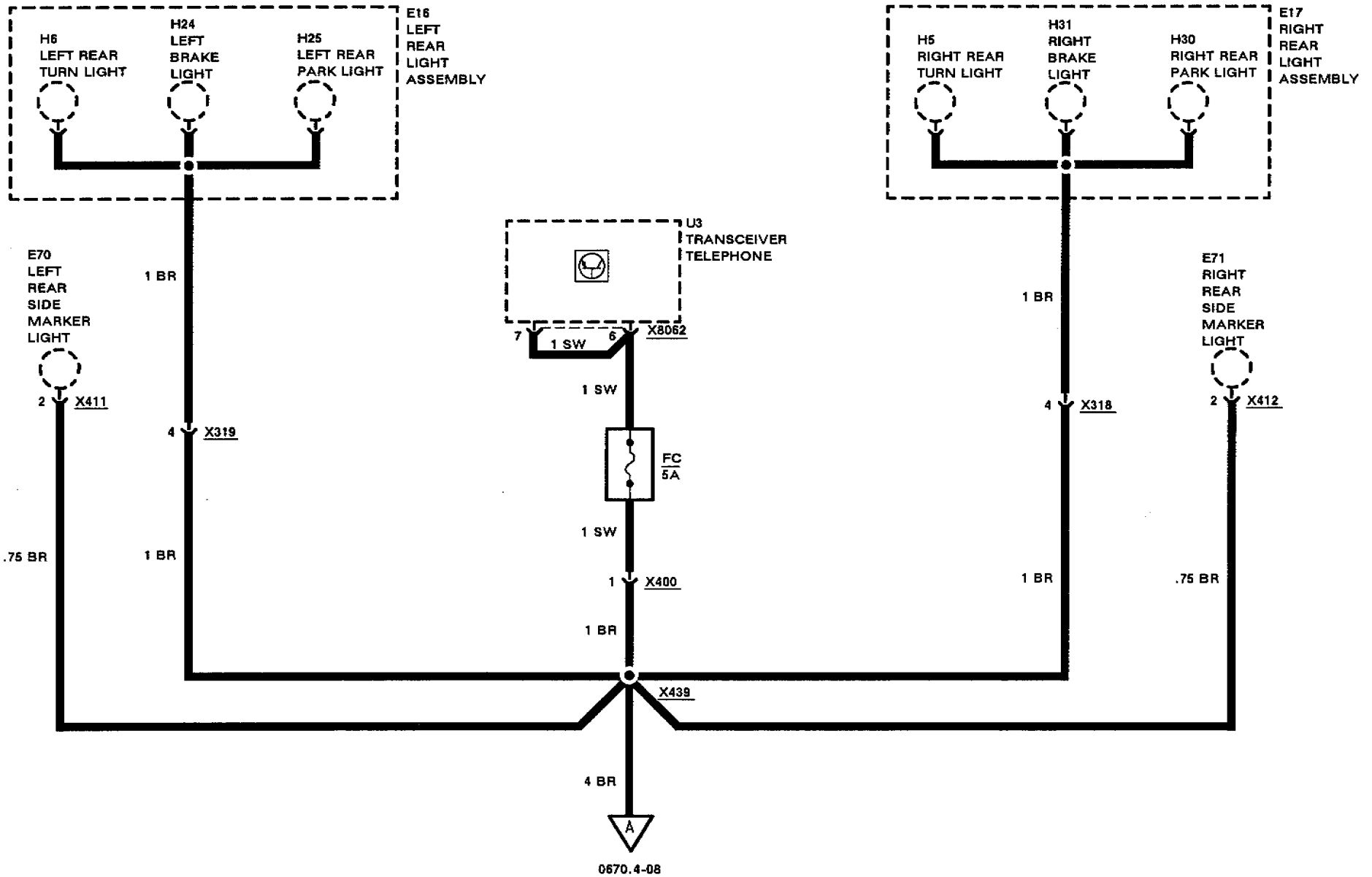






# GROUND DISTRIBUTION

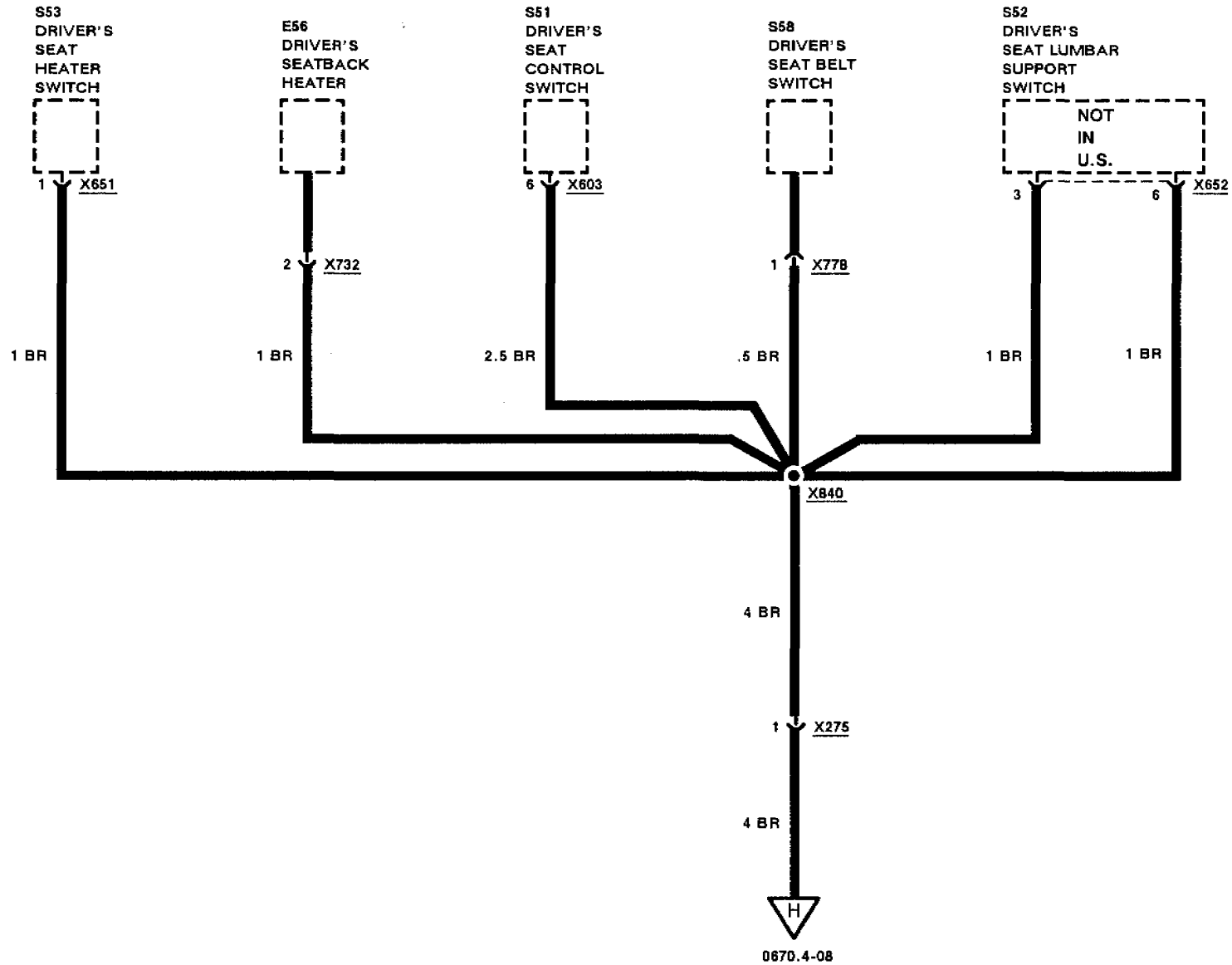
## GROUND X492





# GROUND DISTRIBUTION

## GROUND X492

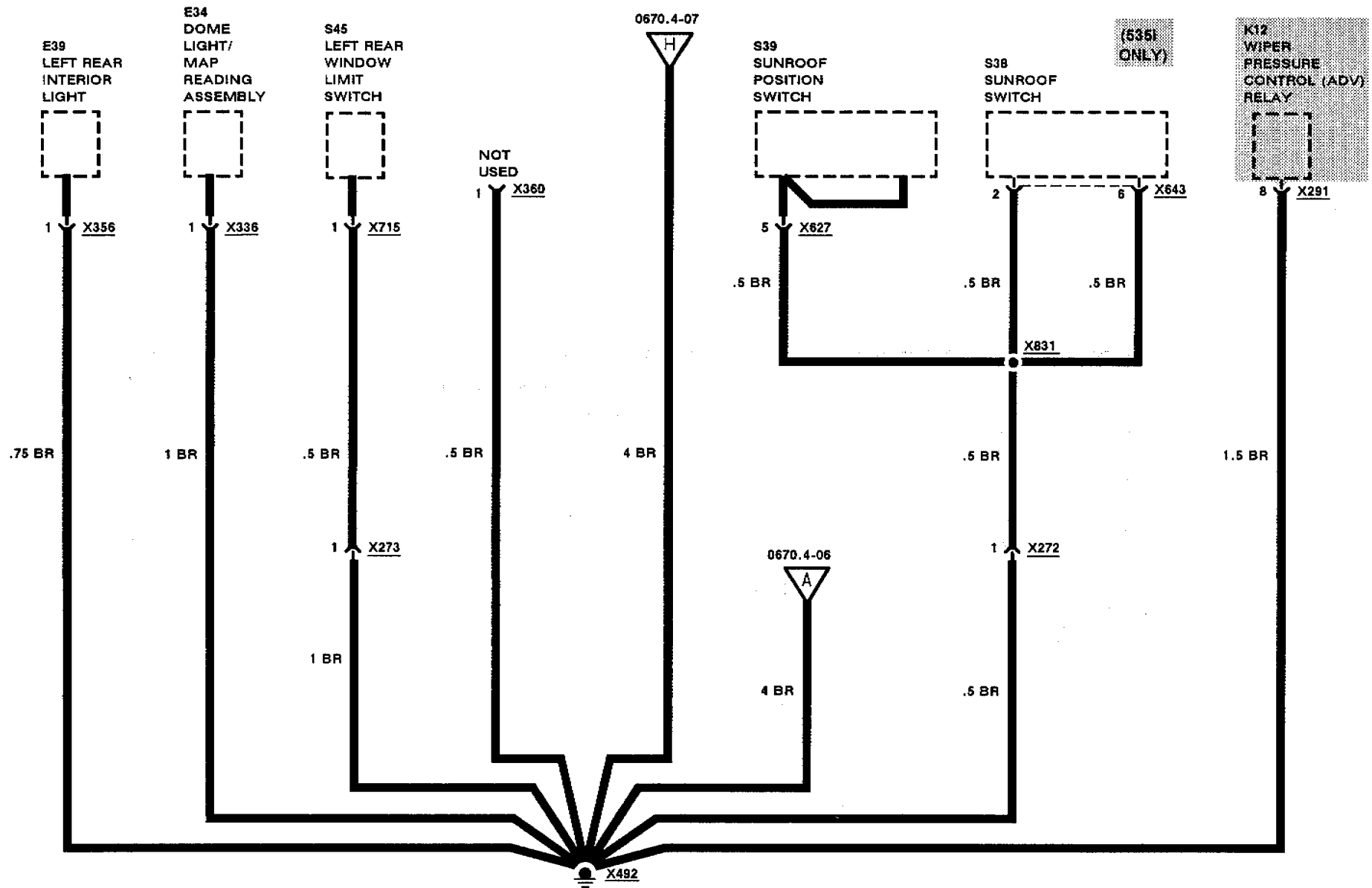






# GROUND DISTRIBUTION

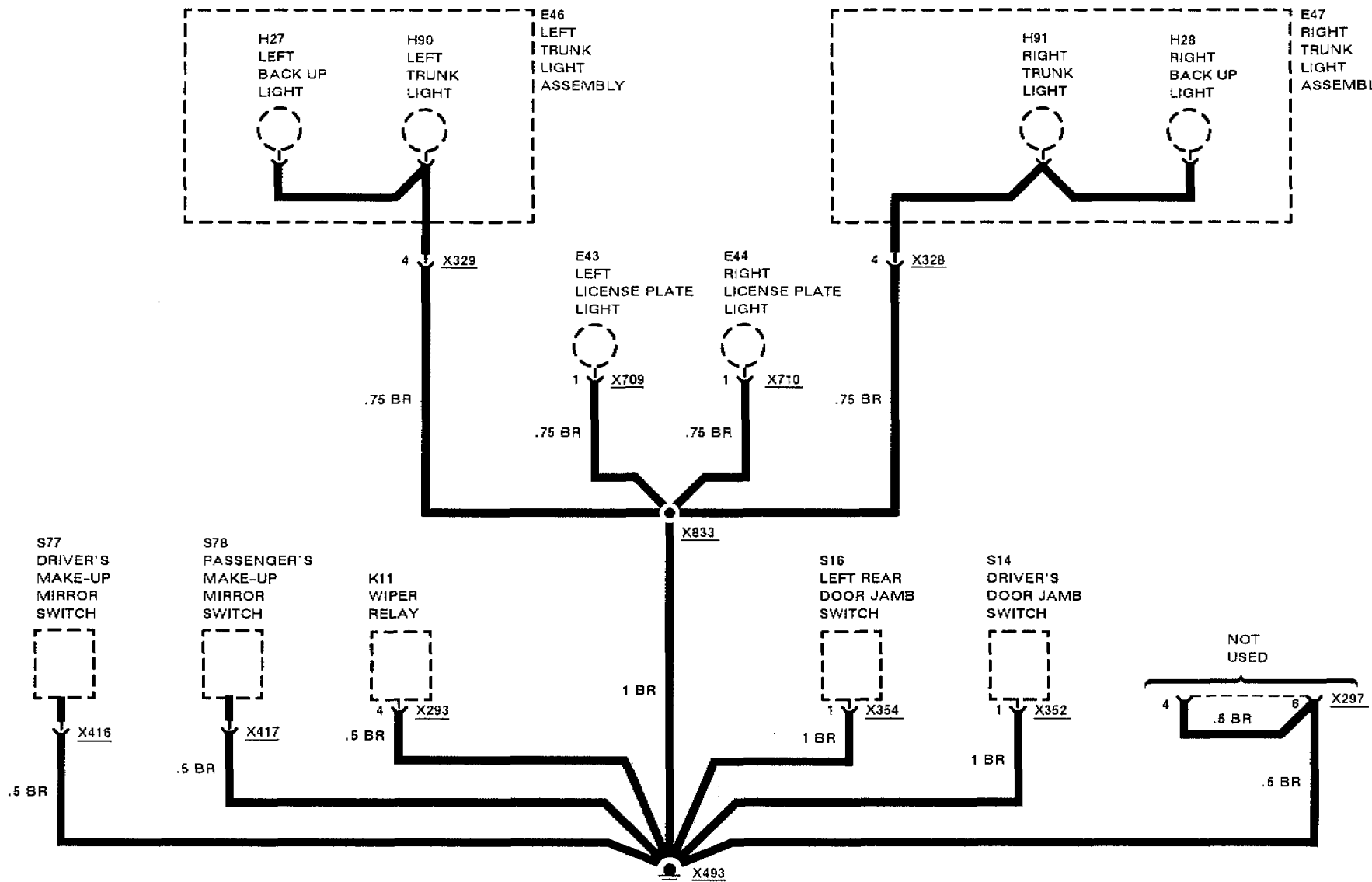
GROUND X492





# GROUND DISTRIBUTION

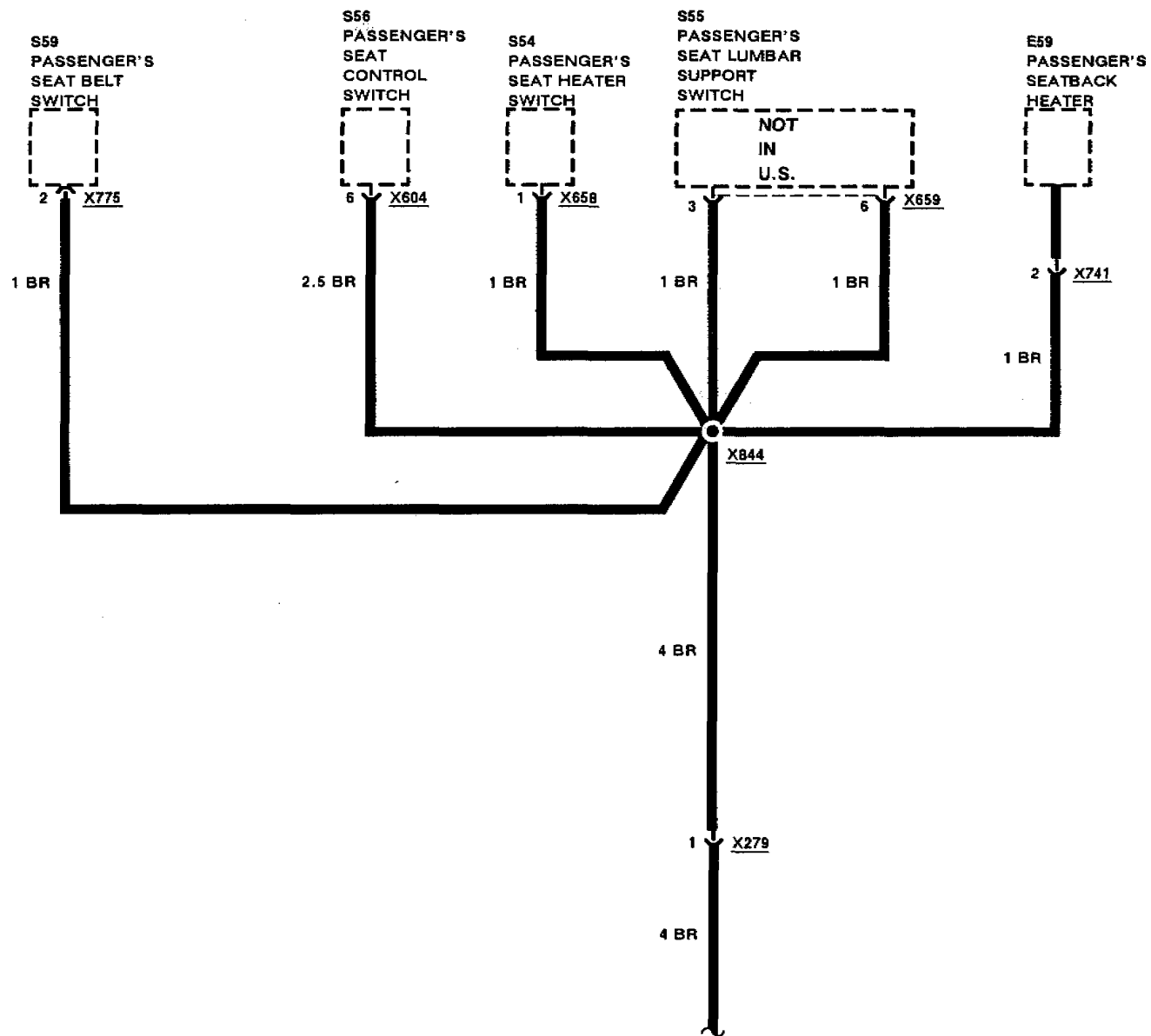
## GROUND X493

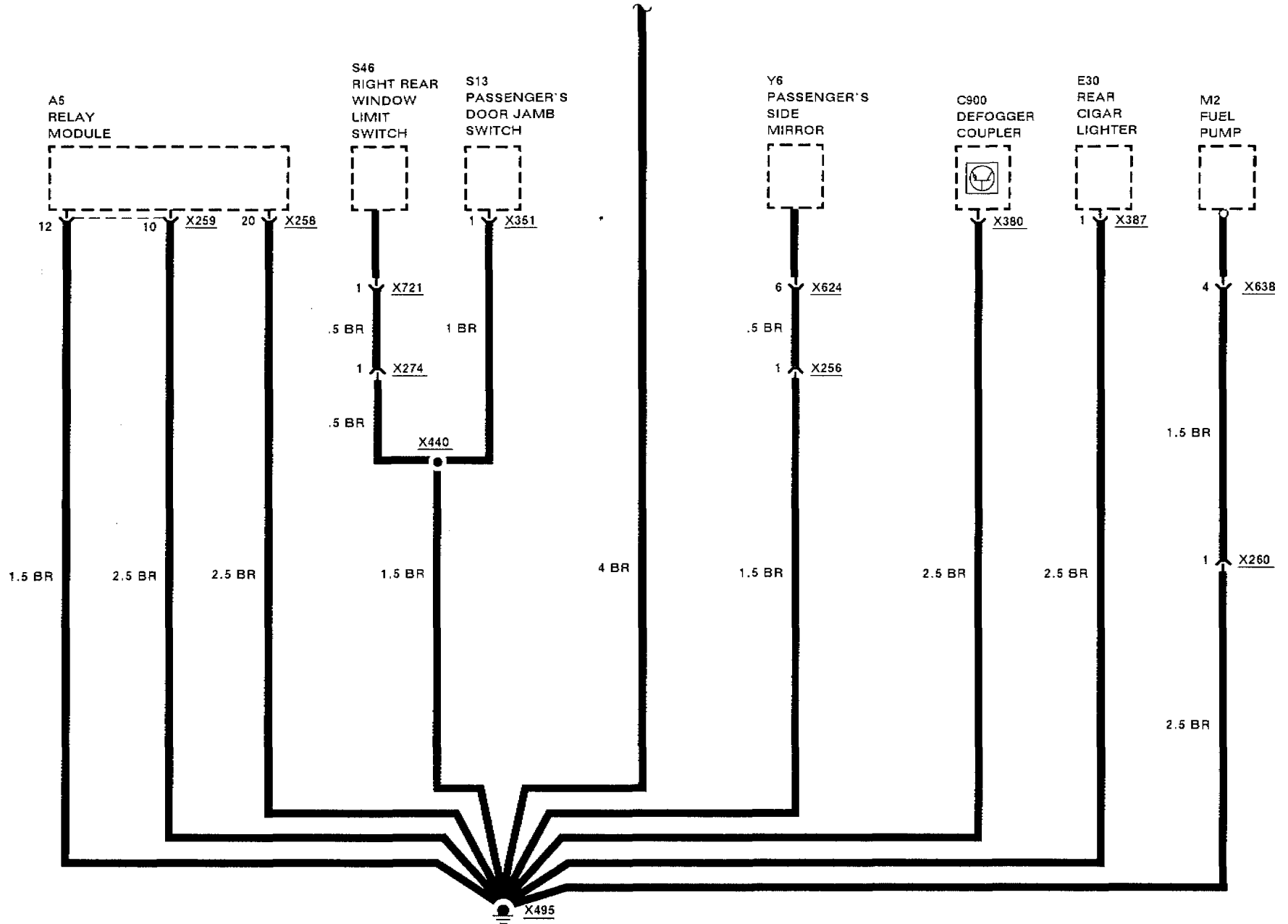




# GROUND DISTRIBUTION

GROUND X495

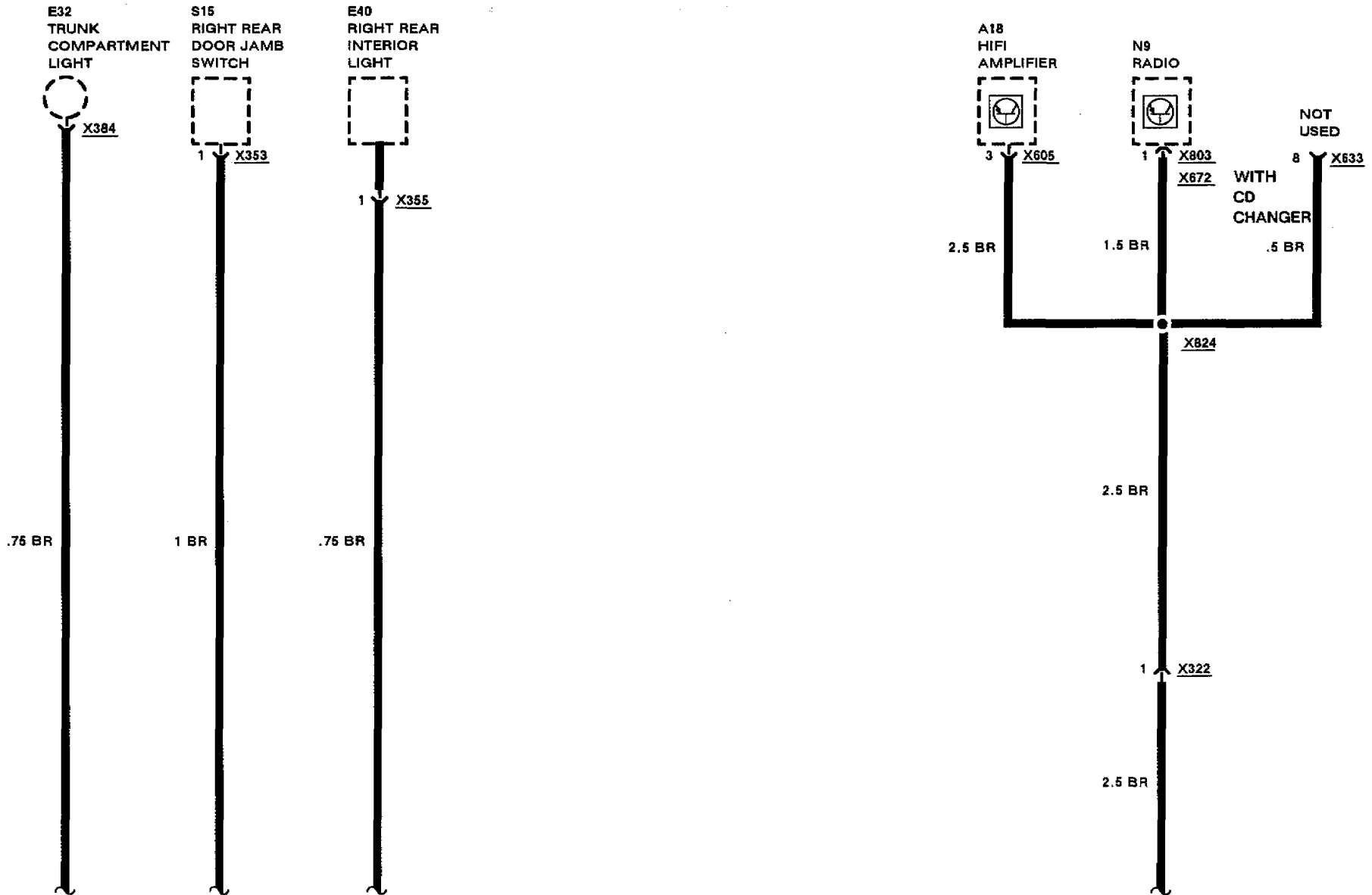


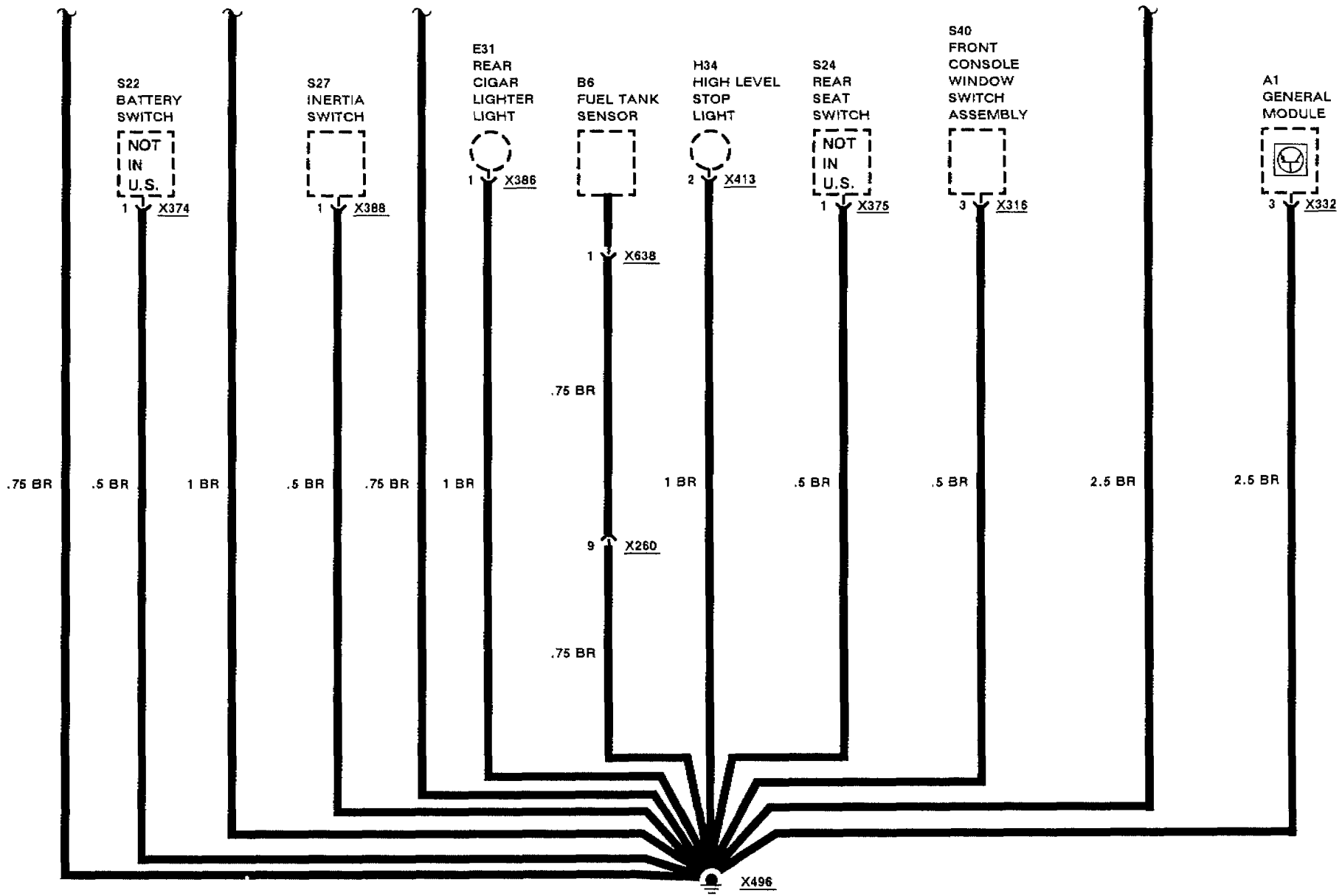




# GROUND DISTRIBUTION

## GROUND X496

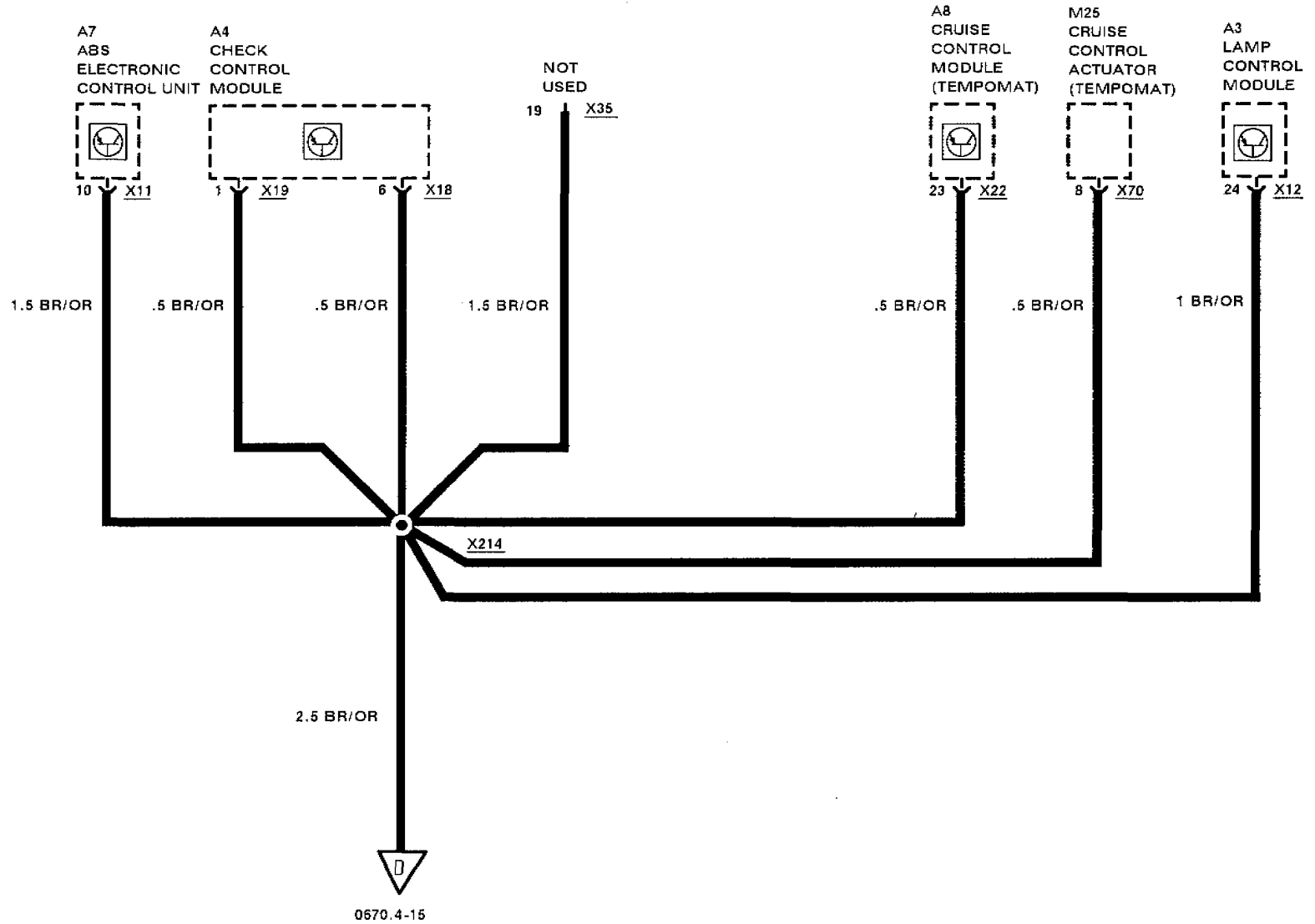






# GROUND DISTRIBUTION

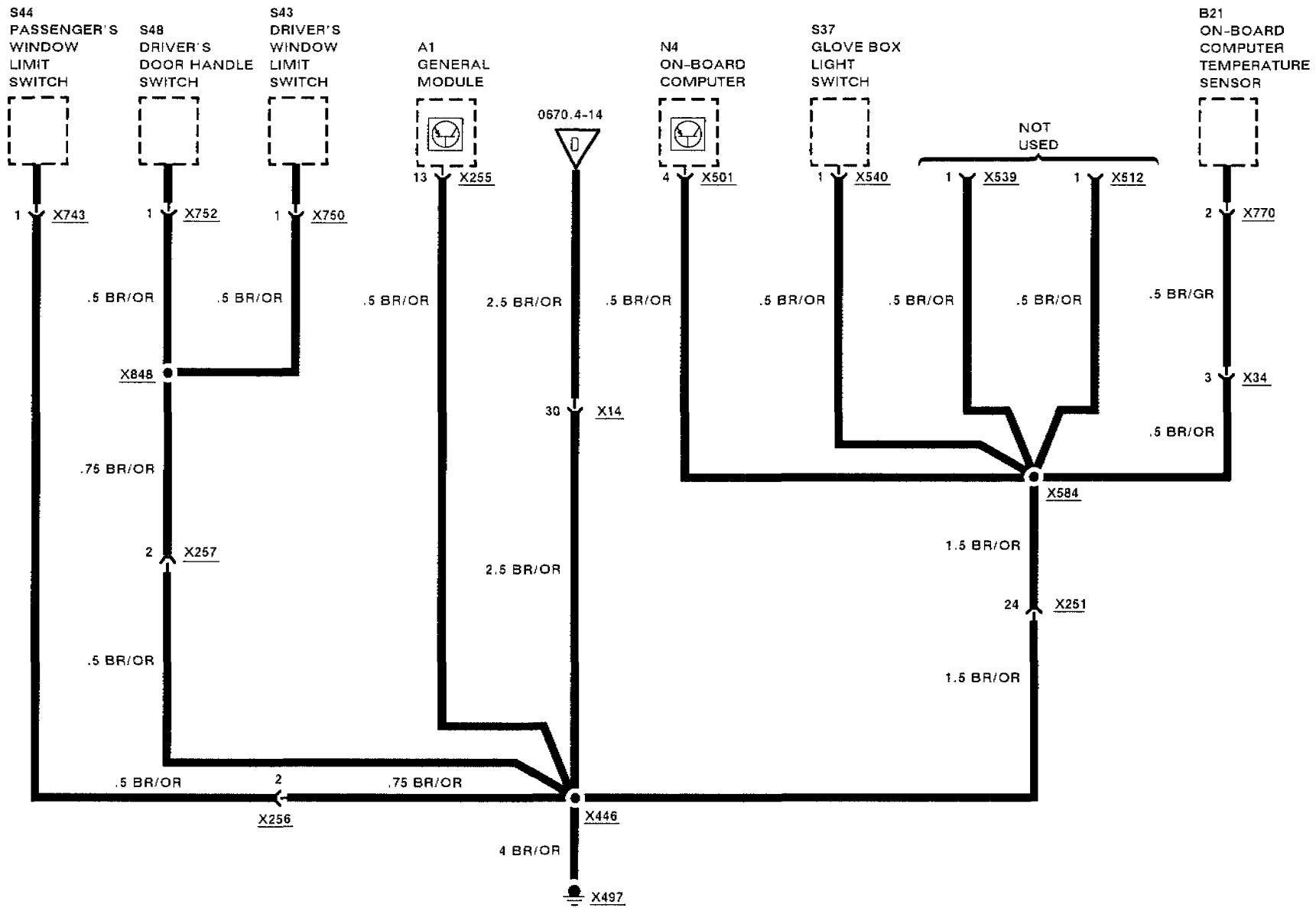
GROUND X497





# GROUND DISTRIBUTION

## GROUND X497



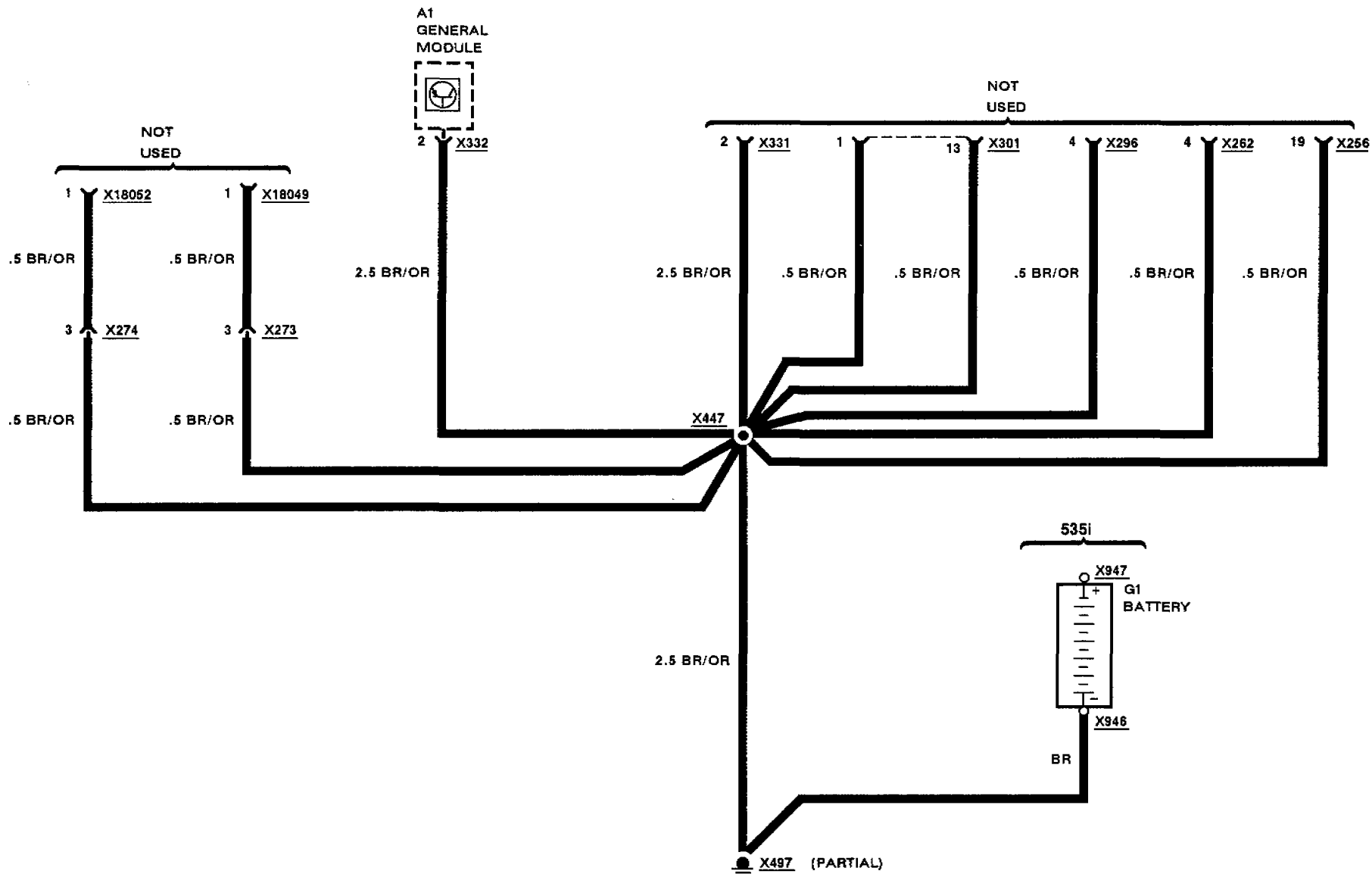
(PARTIAL)





# GROUND DISTRIBUTION

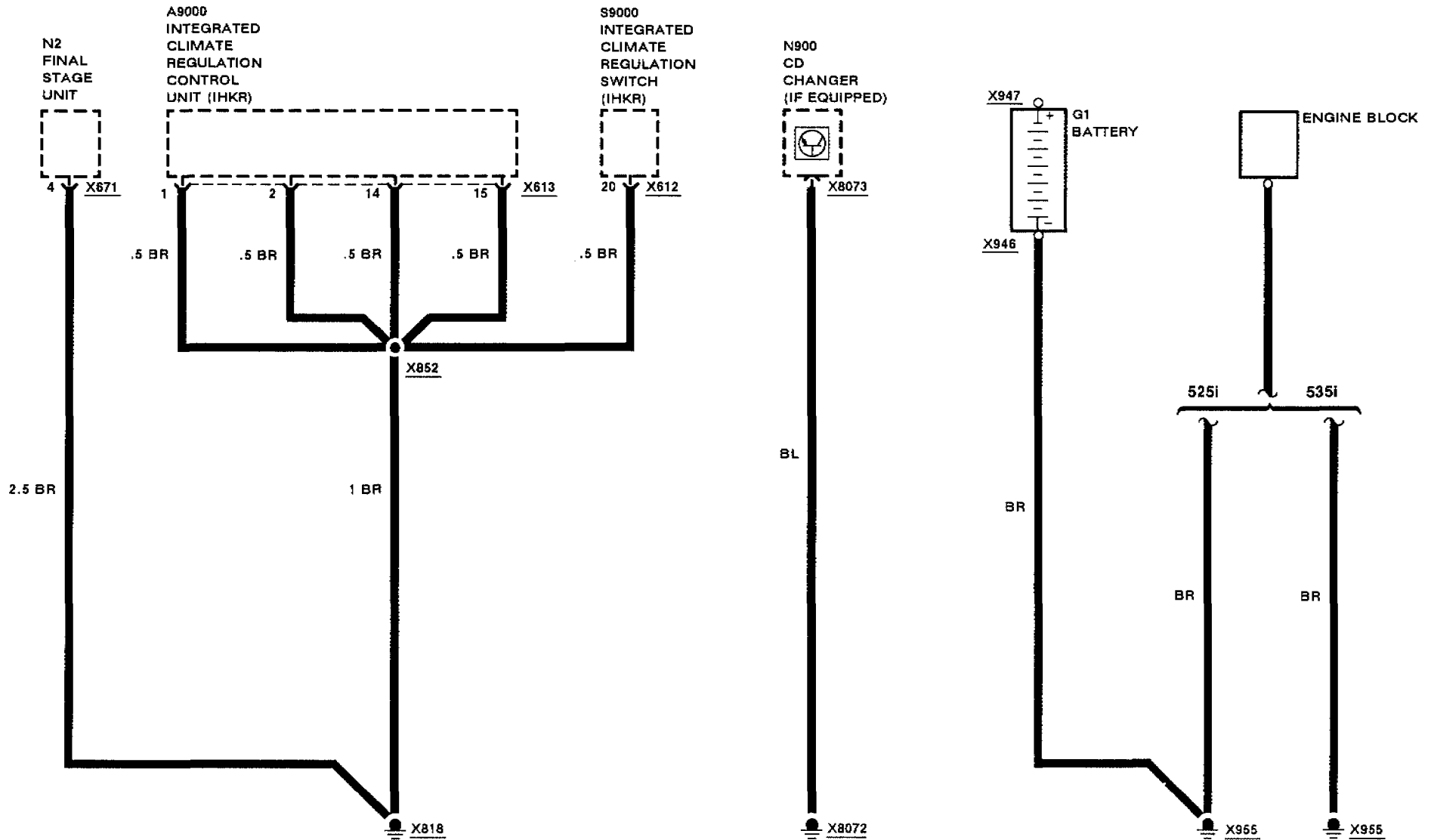
## GROUND X497





# GROUND DISTRIBUTION

GROUNDS X818, X955 AND X8072

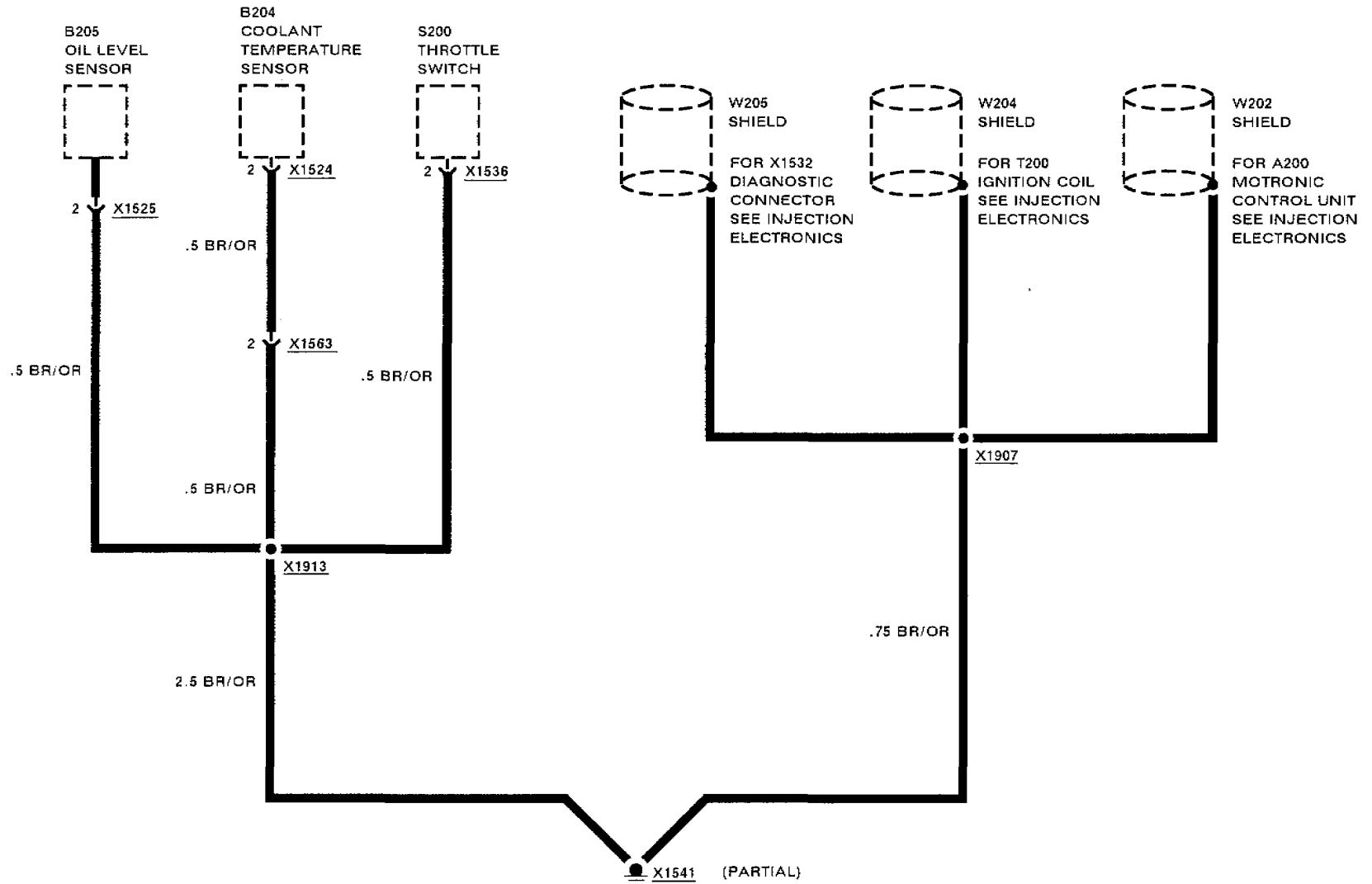




# GROUND DISTRIBUTION

525i

GROUND X1541

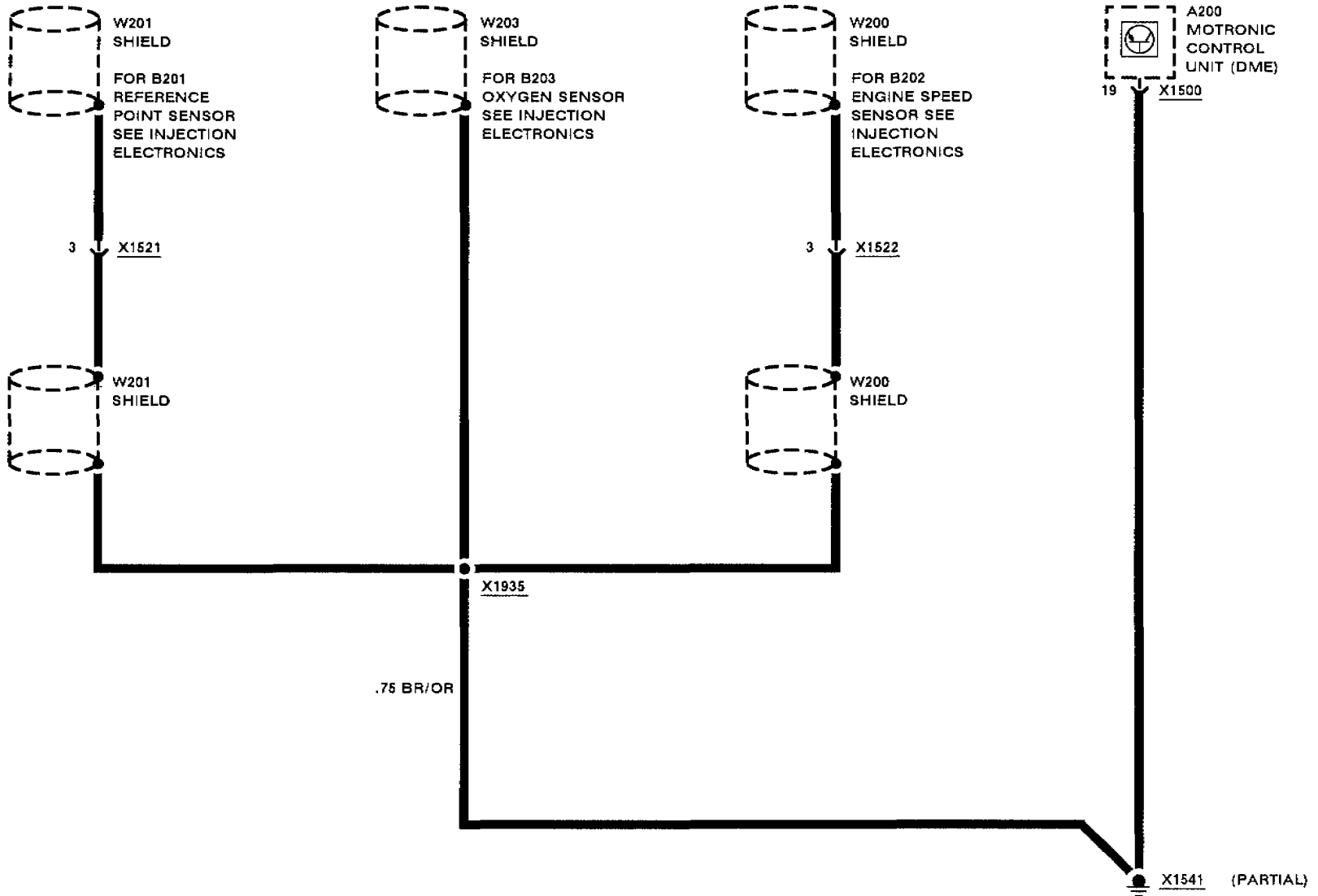




# GROUND DISTRIBUTION

GROUND X1541

525i

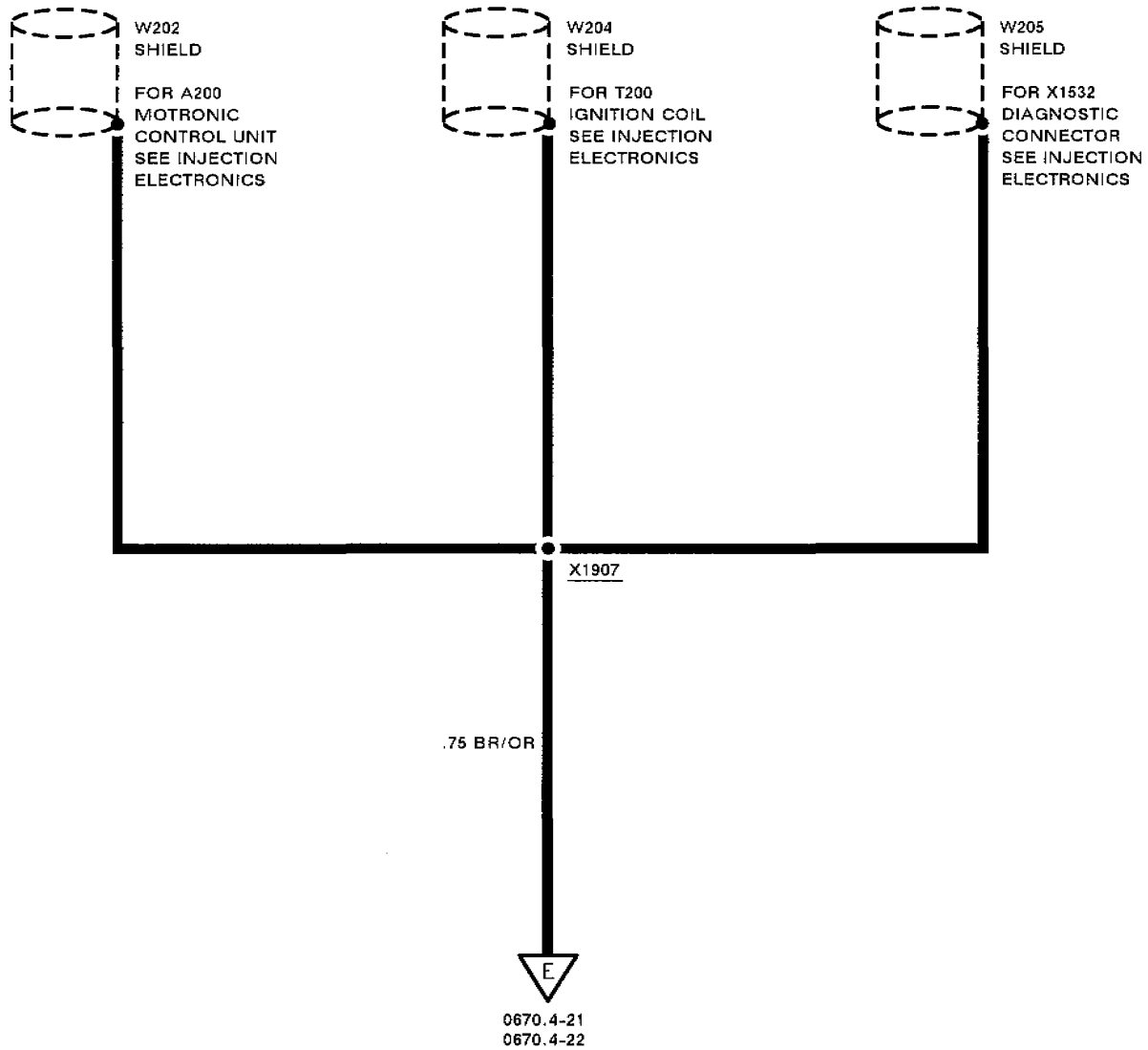




# GROUND DISTRIBUTION

GROUND X1541

535i

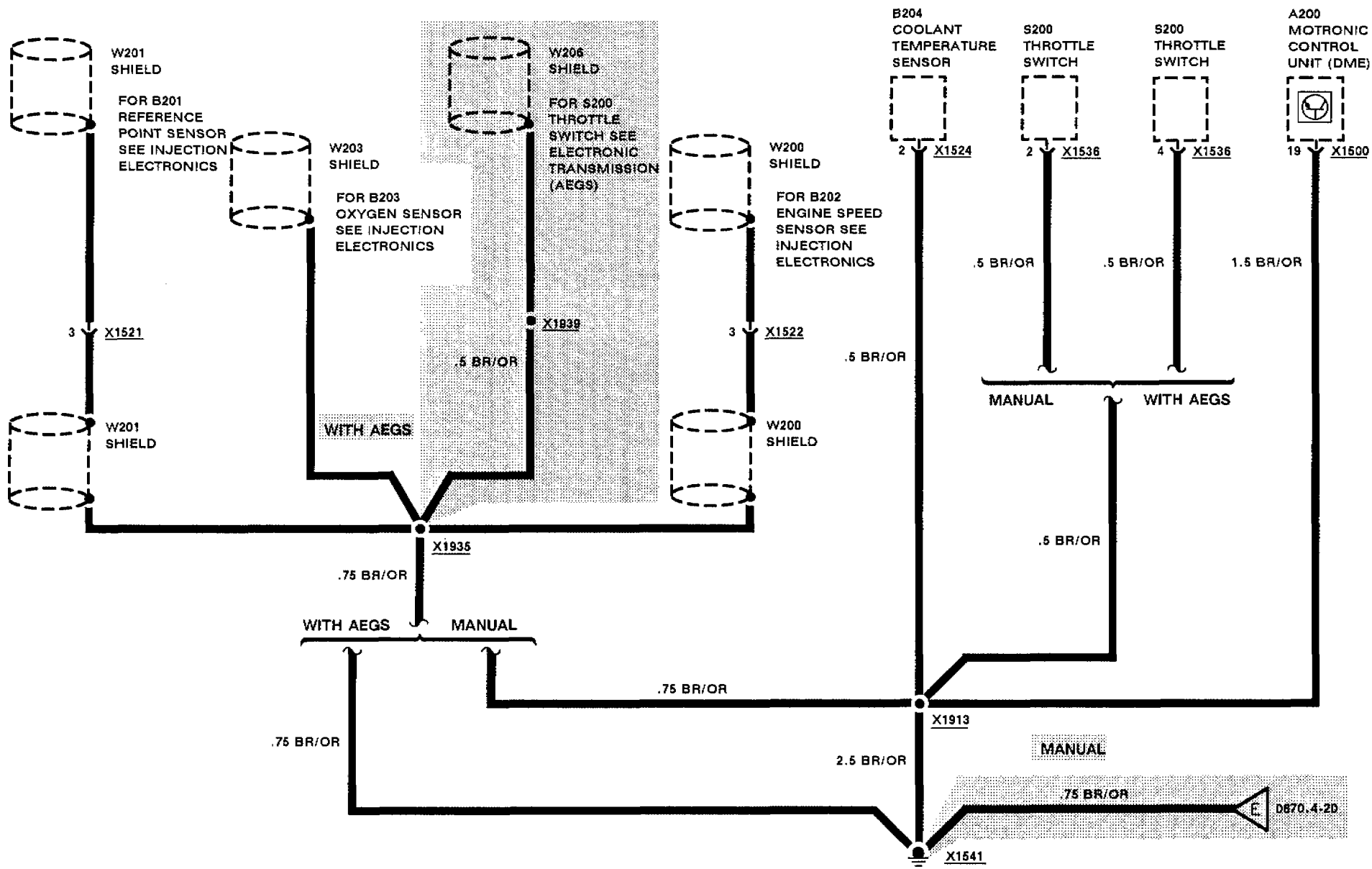




# GROUND DISTRIBUTION

GROUND X1541

535i

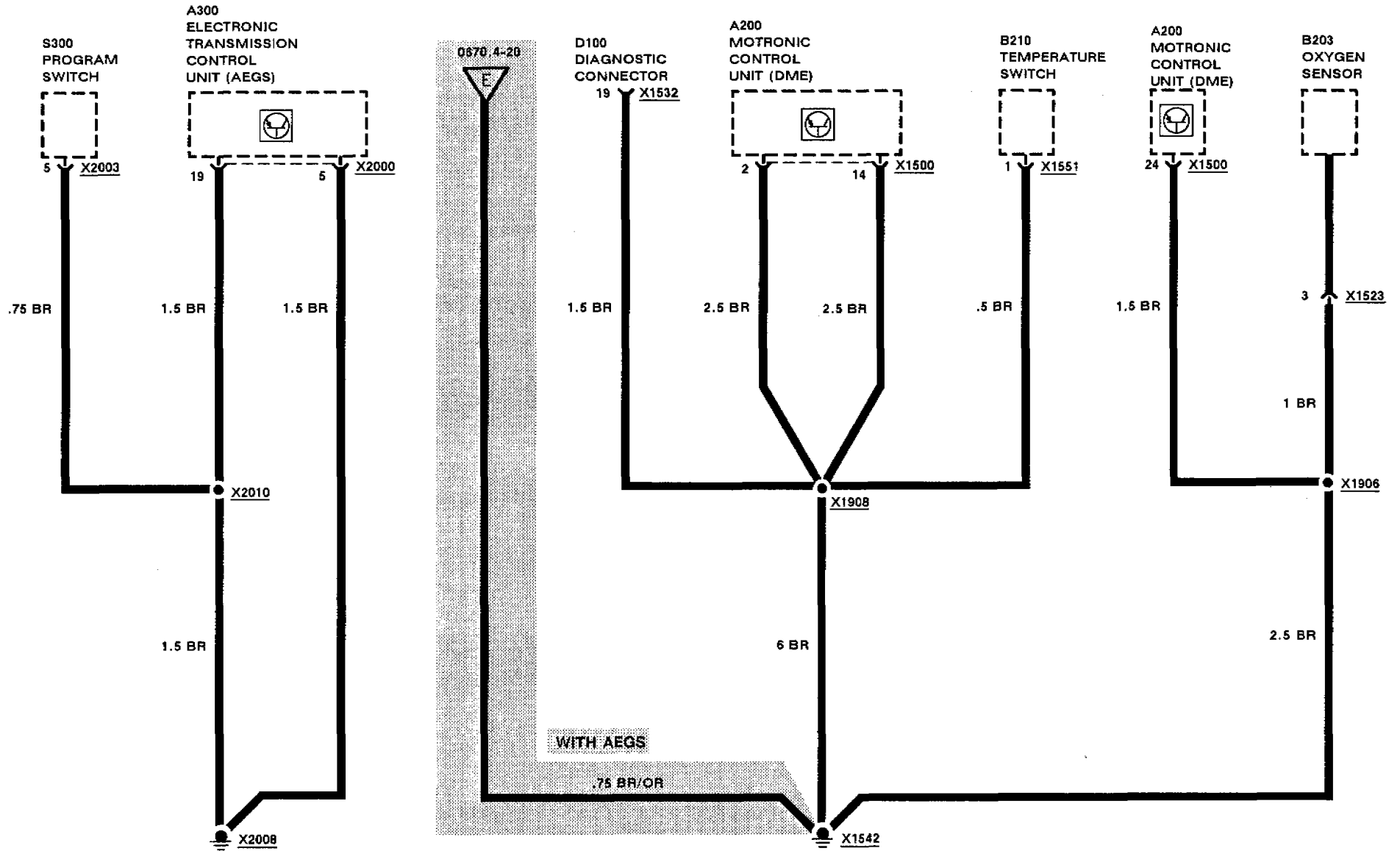




# GROUND DISTRIBUTION

## GROUNDS X1542 AND X2008

535i



2/89

0670.4-22

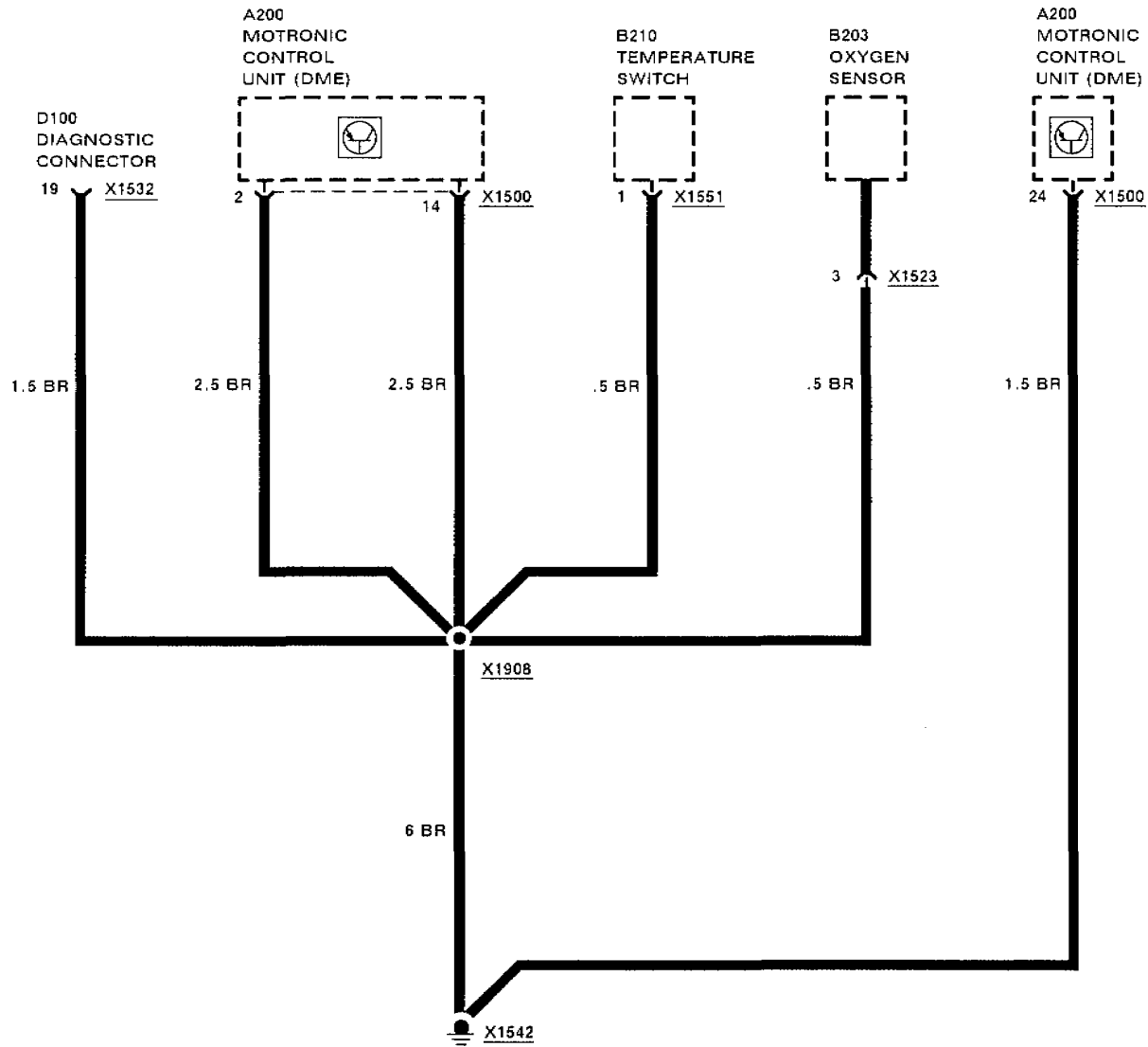
1989



# GROUND DISTRIBUTION

GROUND X1542

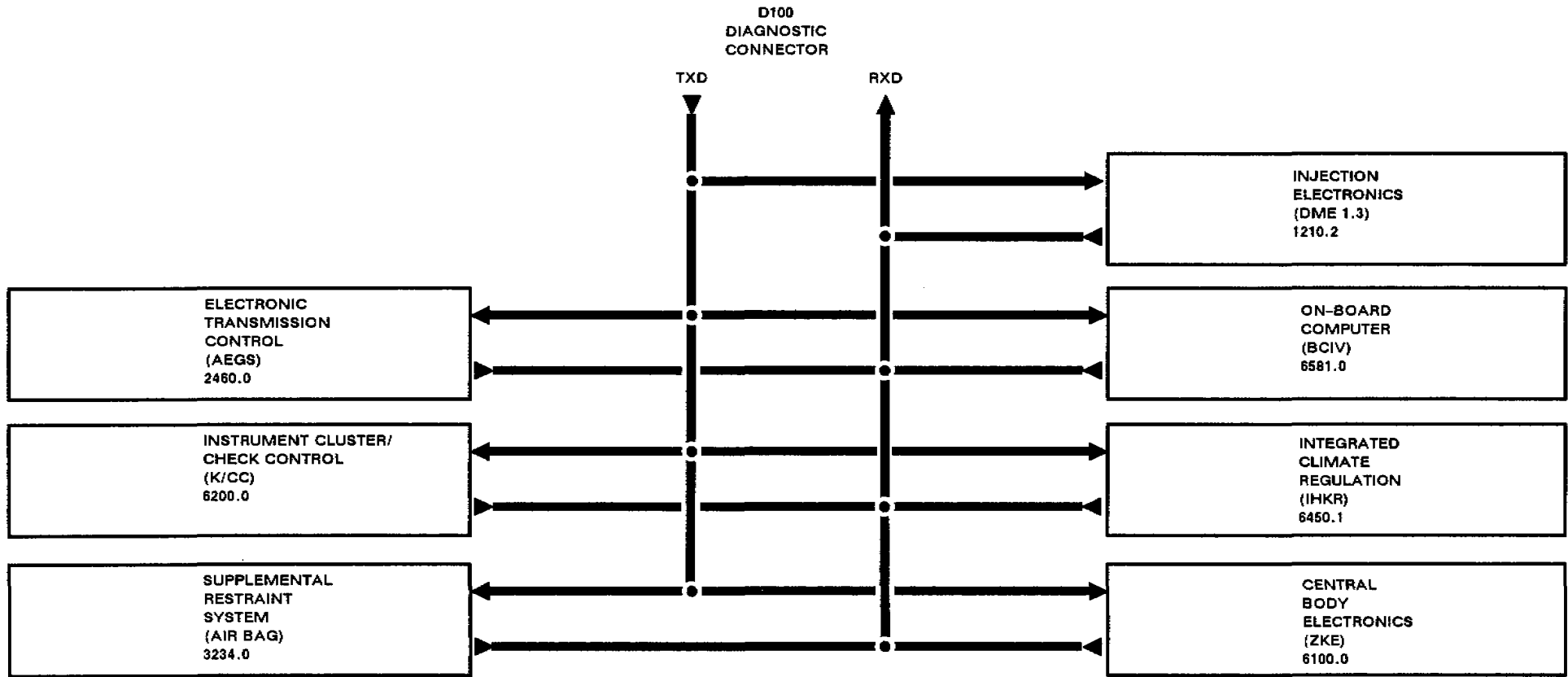
525i







# DIAGNOSTIC LINK BLOCK DIAGRAM

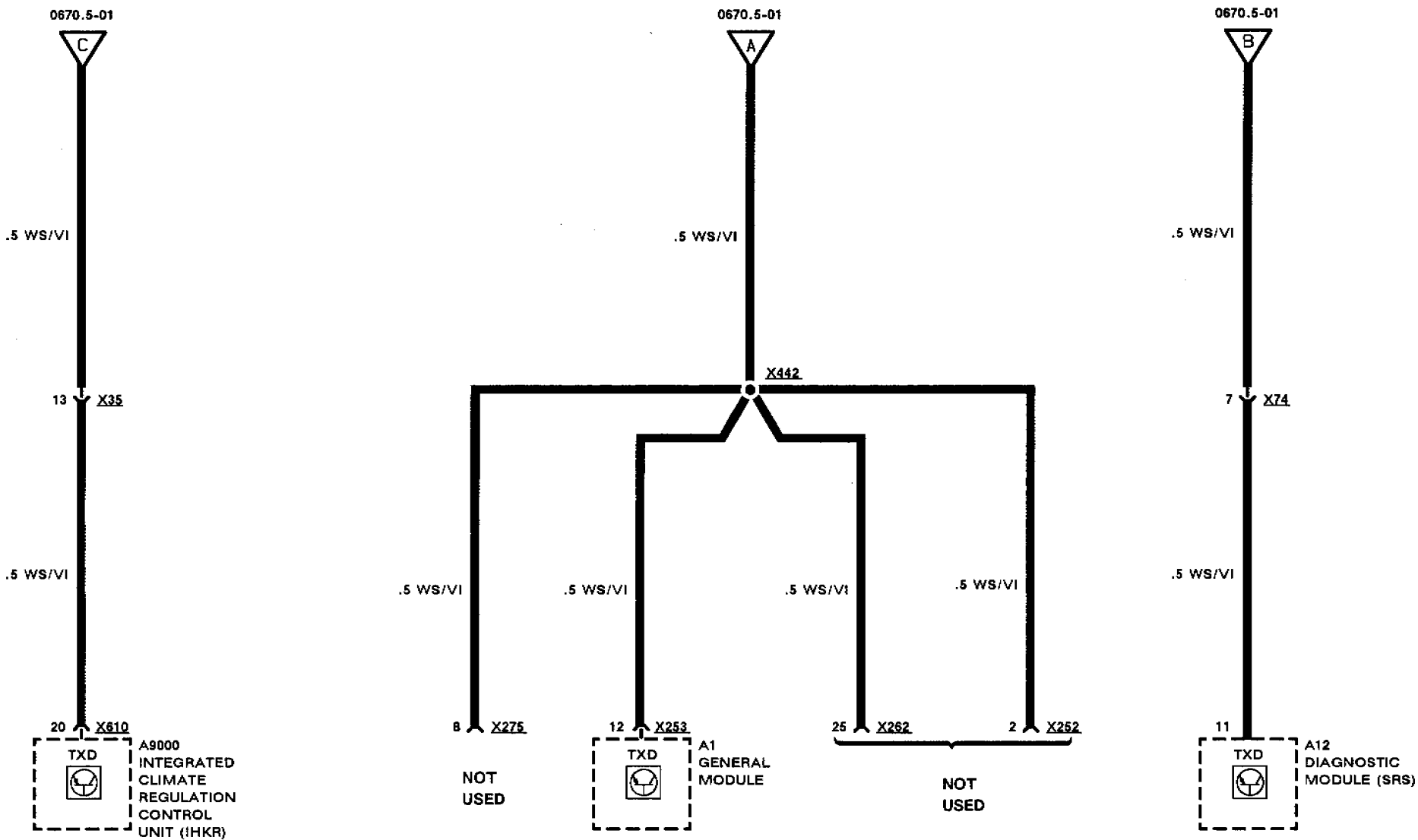






# DIAGNOSTIC LINK

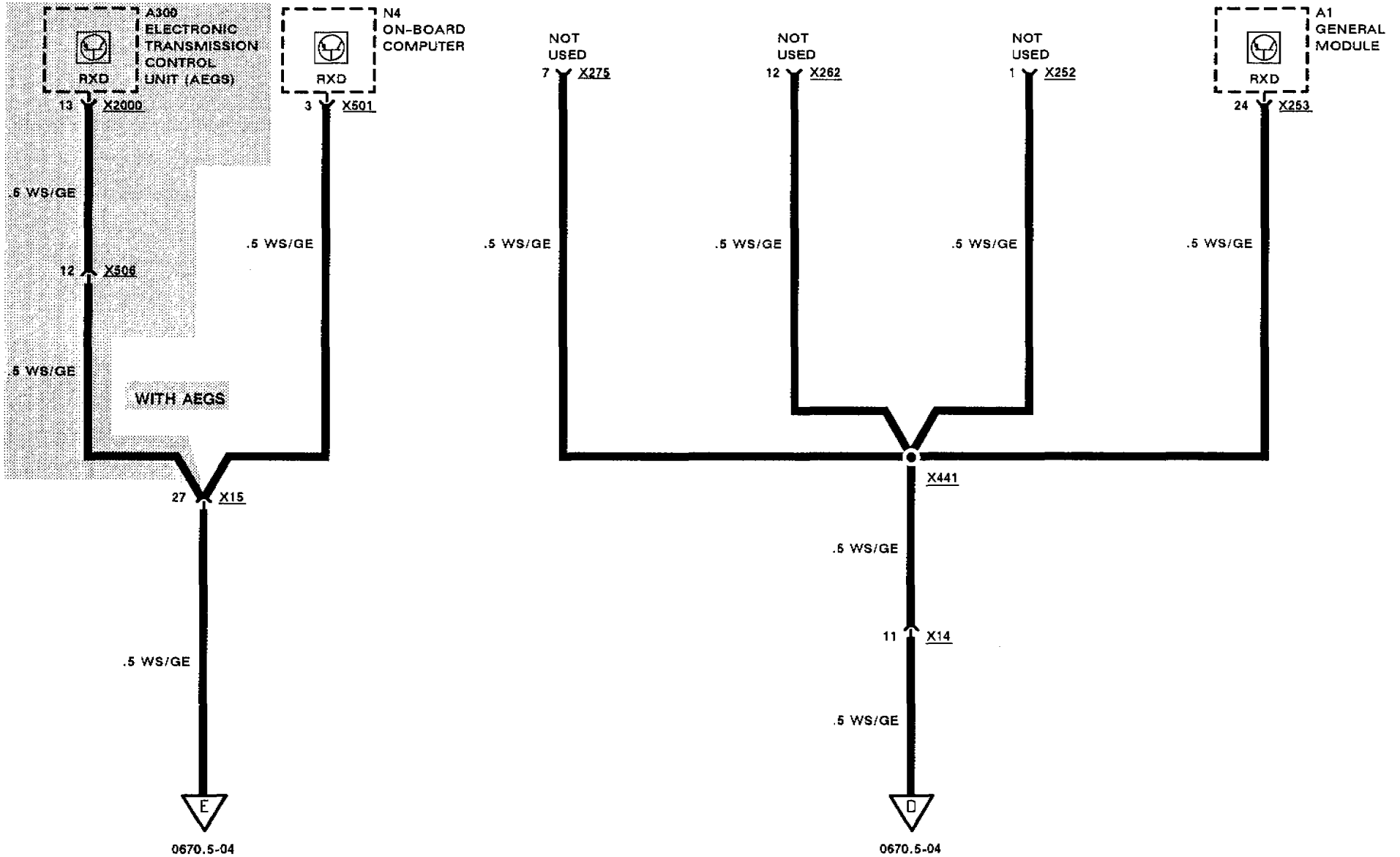
TXD



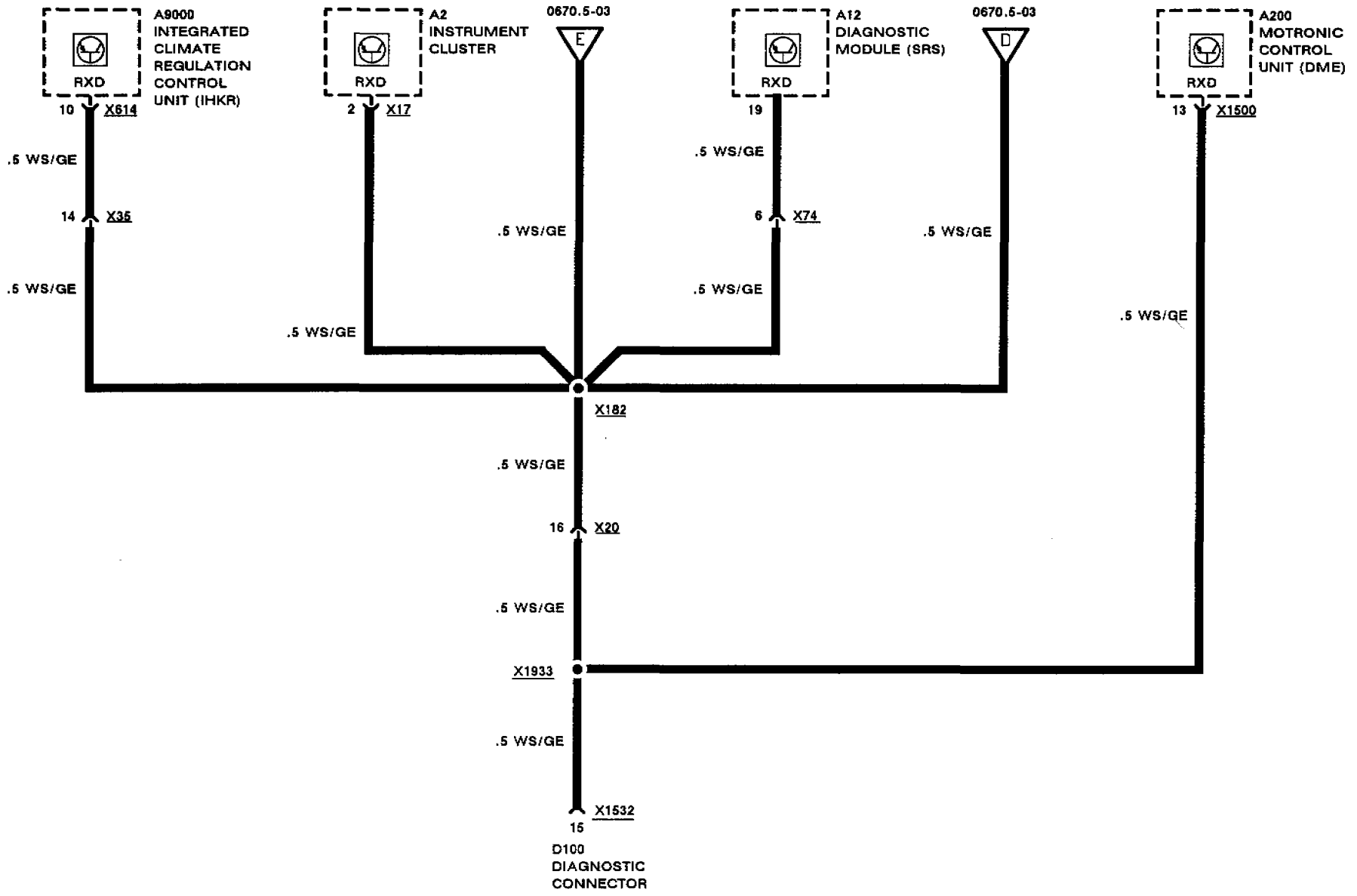


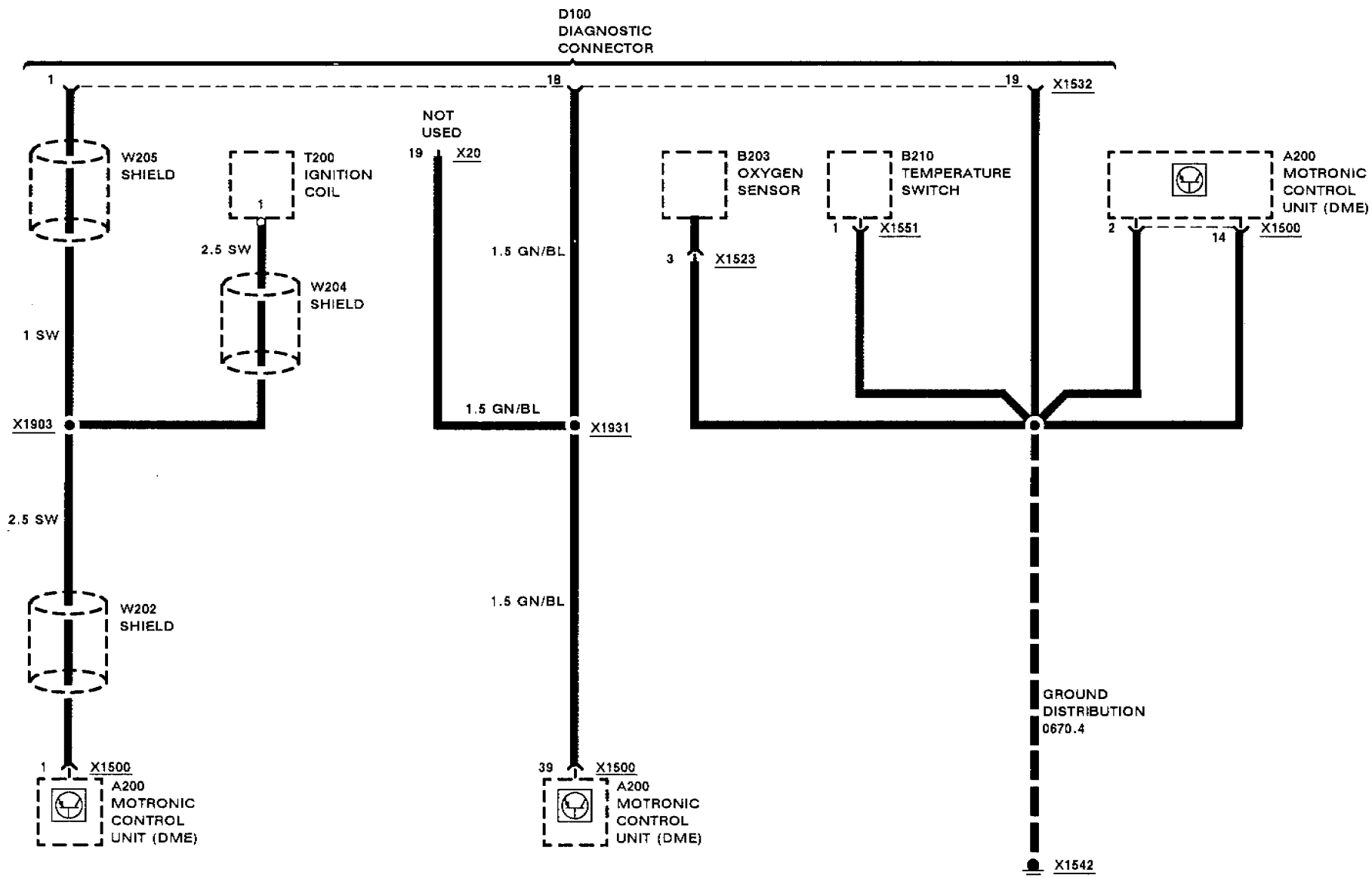
# DIAGNOSTIC LINK

## RXD



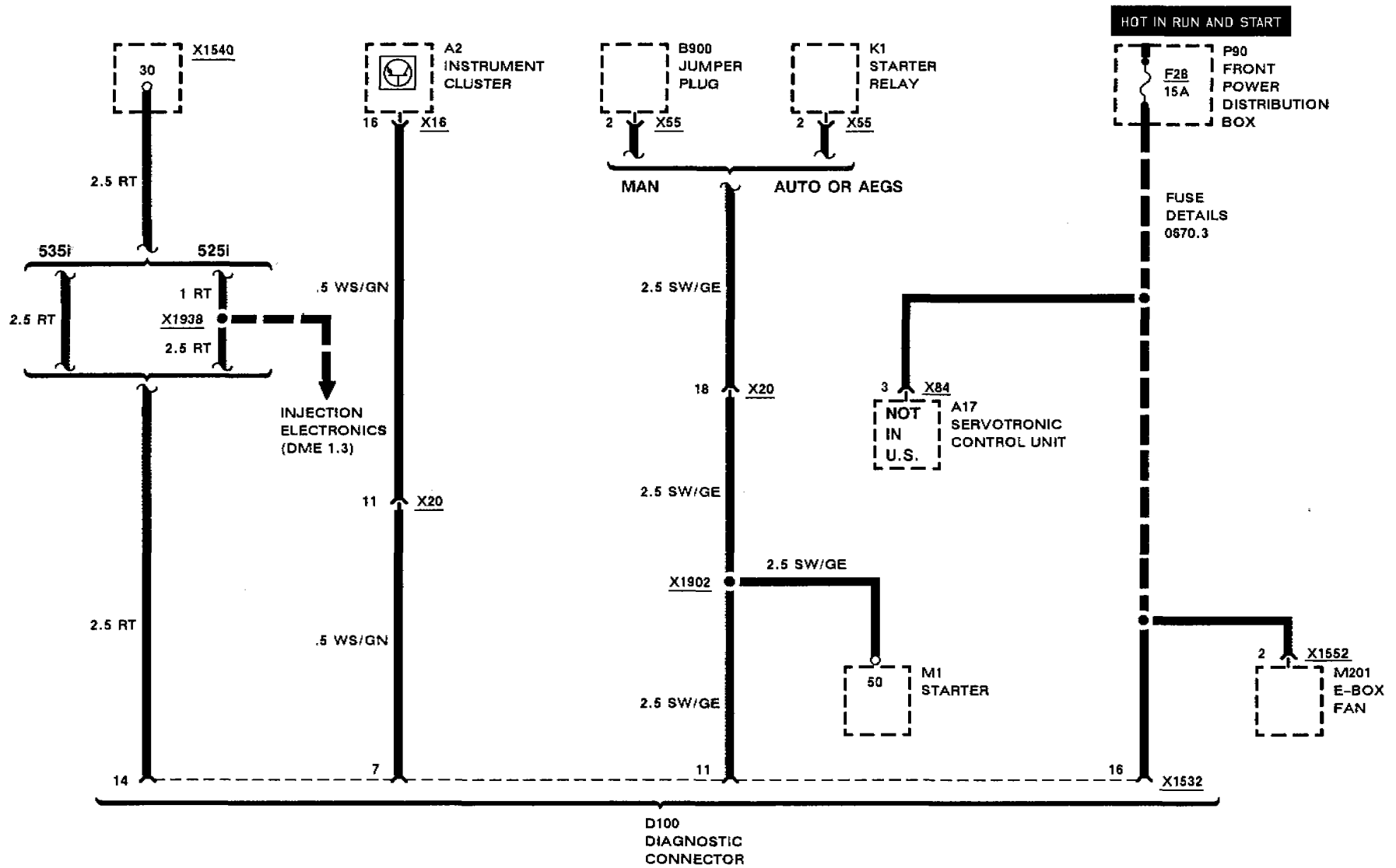
**BMW 5** **DIAGNOSTIC LINK**  
RXD





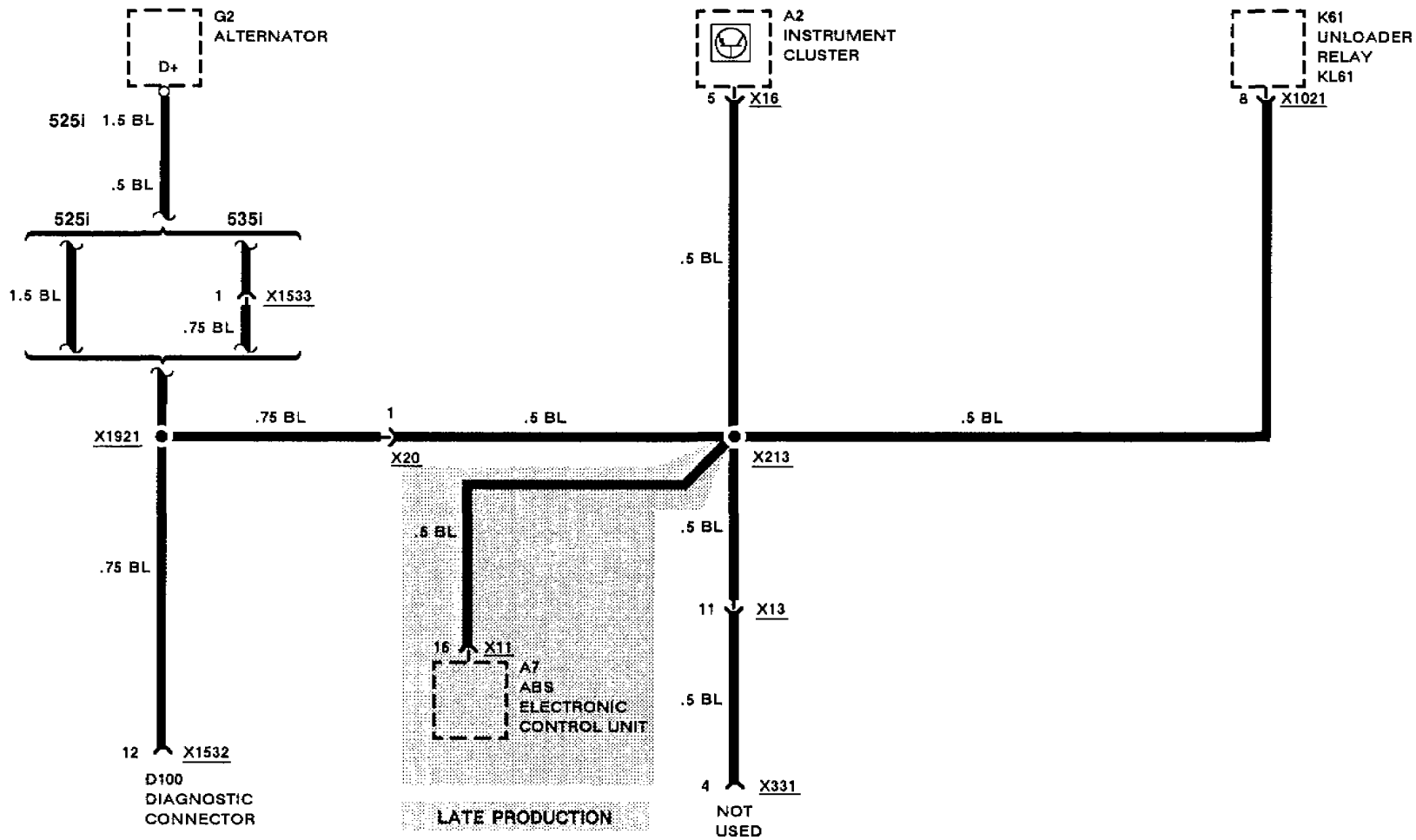


# DIAGNOSTIC LINK





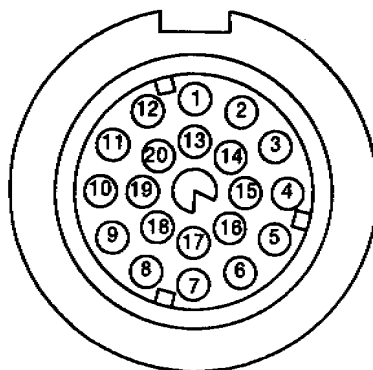
# DIAGNOSTIC LINK





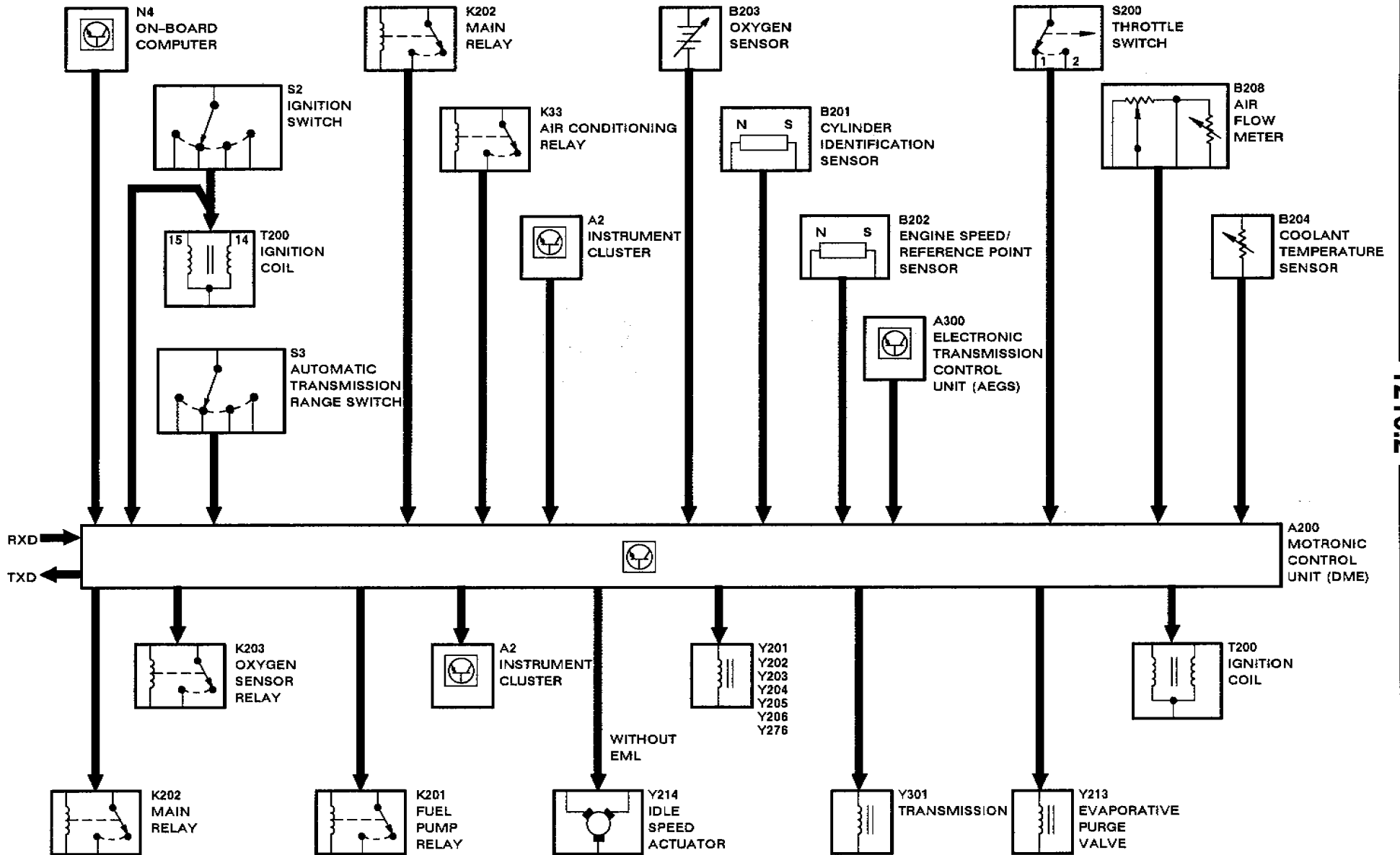
**BMW**  
**5** **DIAGNOSTIC LINK**

TXD (.5 WS/VI) 20
GROUND X1542 (0670.4) (1.5 BR) 19
A200 MOTRONIC CONTROL UNIT (1210.2) (1.5 GN/BL) 18
NOT USED 17
M201 E-BOX FAN (1290.0) A17 SERVOTRONIC CONTROL UNIT (3240.0) FUSE 28 (0670.3) (1.5 GN/WS) 16
RXD (.5 WS/GE) 15
X1540 B+ JUNCTION POST (1210.2) FOR E-BOX (2.5 RT) 14
NOT USED 13
G2 ALTERNATOR (1230.0) A2 INSTRUMENT CLUSTER (6200.0) A7 ABS CONTROL UNIT (3450.0) (.75 BL) 12
B900 JUMPER PLUG (1240.0) K1 STARTER RELAY (1240.0) M1 STARTER (1240.0) (2.5 SW/GE) 11

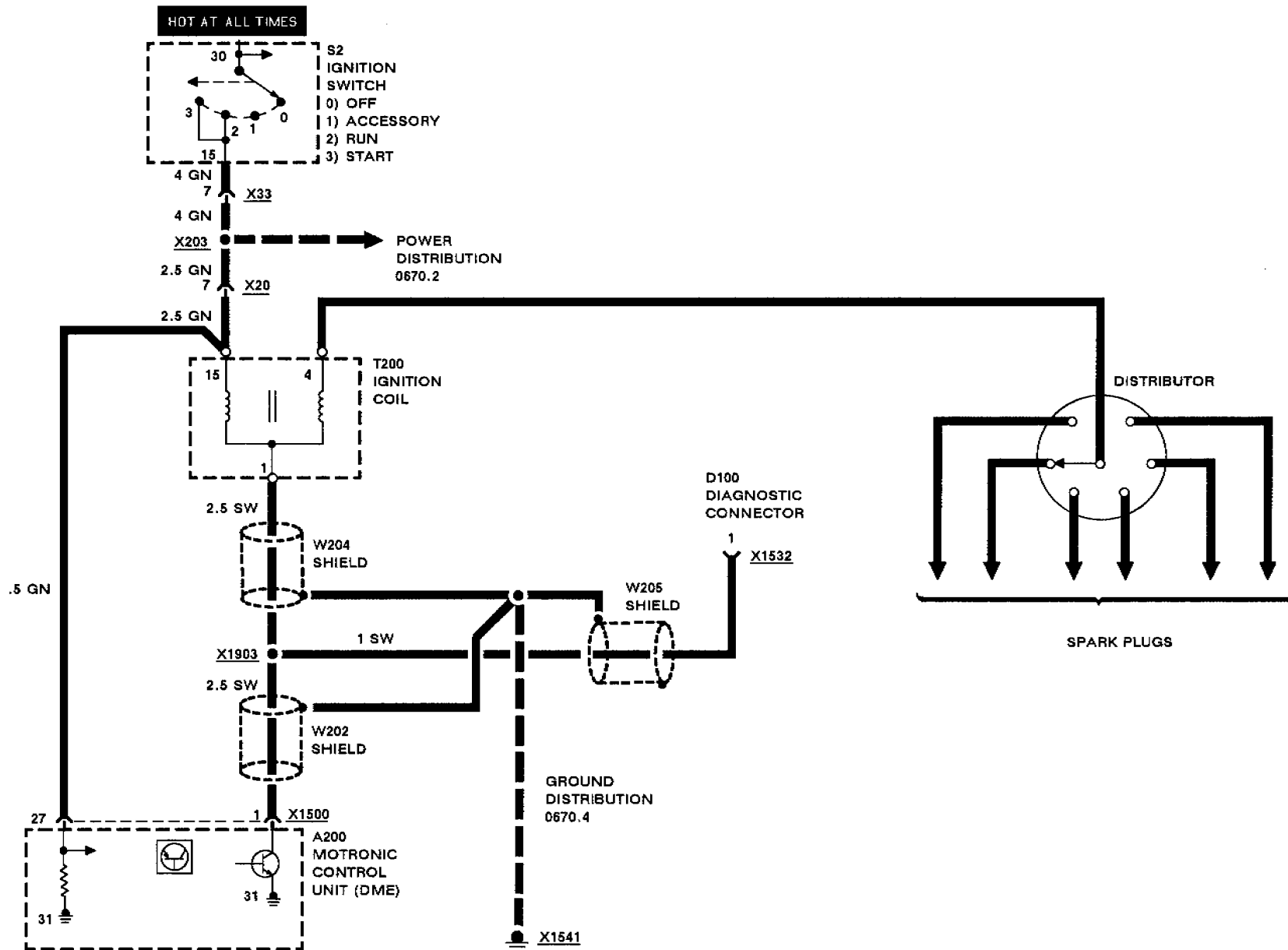


10	NOT USED
9	NOT USED
8	NOT USED
7 (.5 WS/GN)	A2 INSTRUMENT CLUSTER (6200.0)
6	NOT USED
5	NOT USED
4	NOT USED
3	NOT USED
2	T200 IGNITION COIL (1210.2) A200 MOTRONIC CONTROL UNIT (1210.2) 1 (1 SW)

# INJECTION ELECTRONICS (DME 1.3)

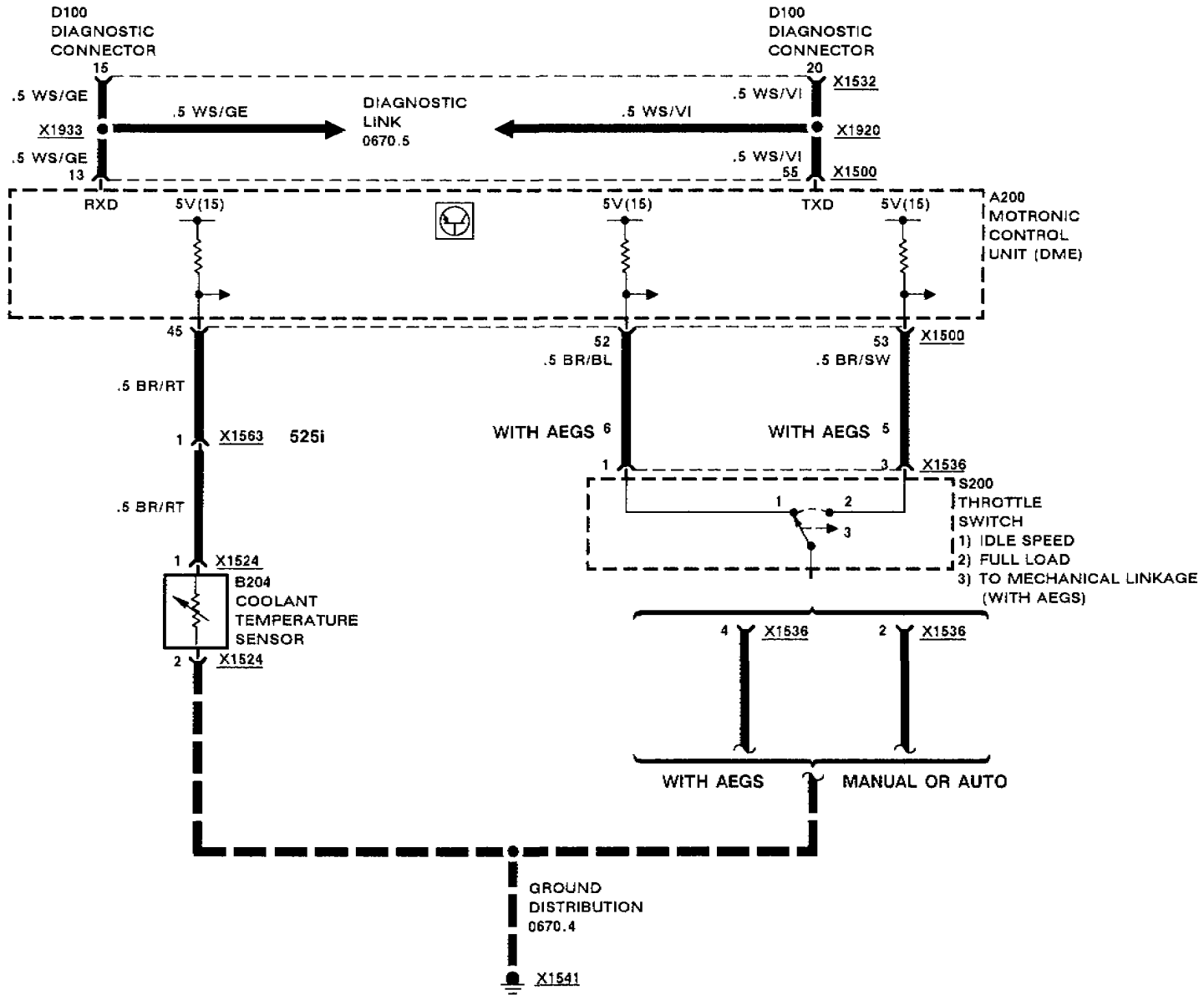


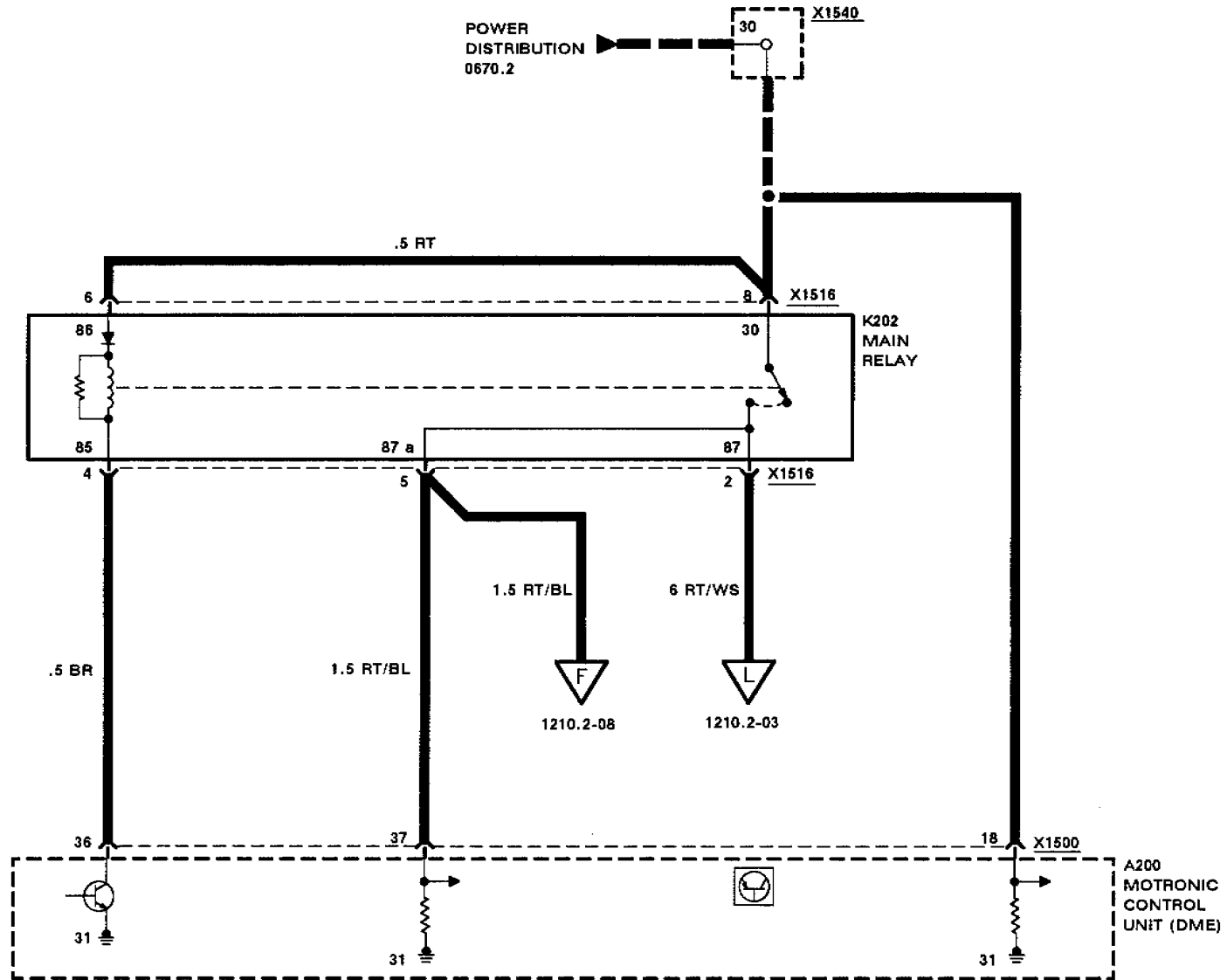
# INJECTION ELECTRONICS (DME 1.3)





# INJECTION ELECTRONICS (DME 1.3)



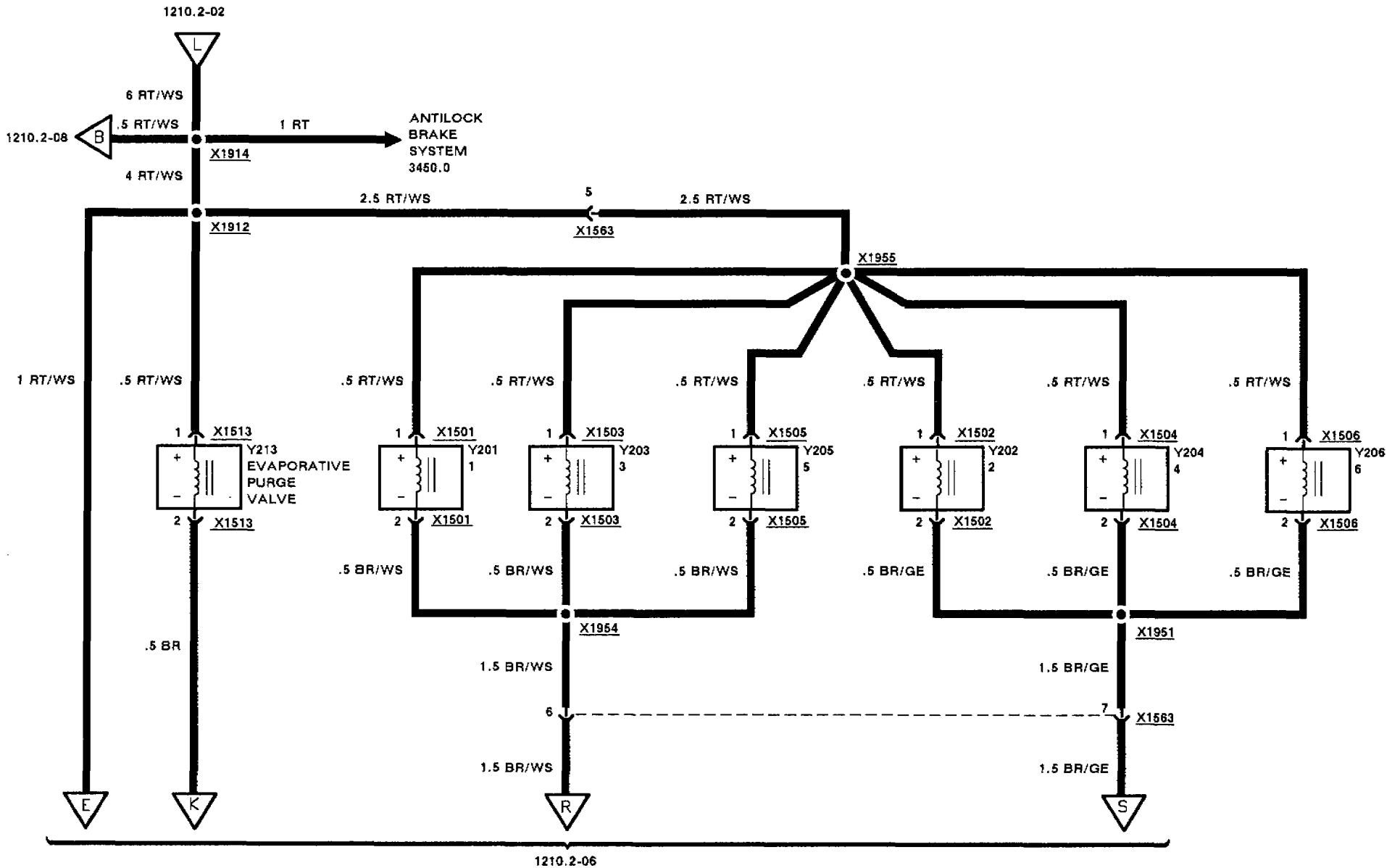


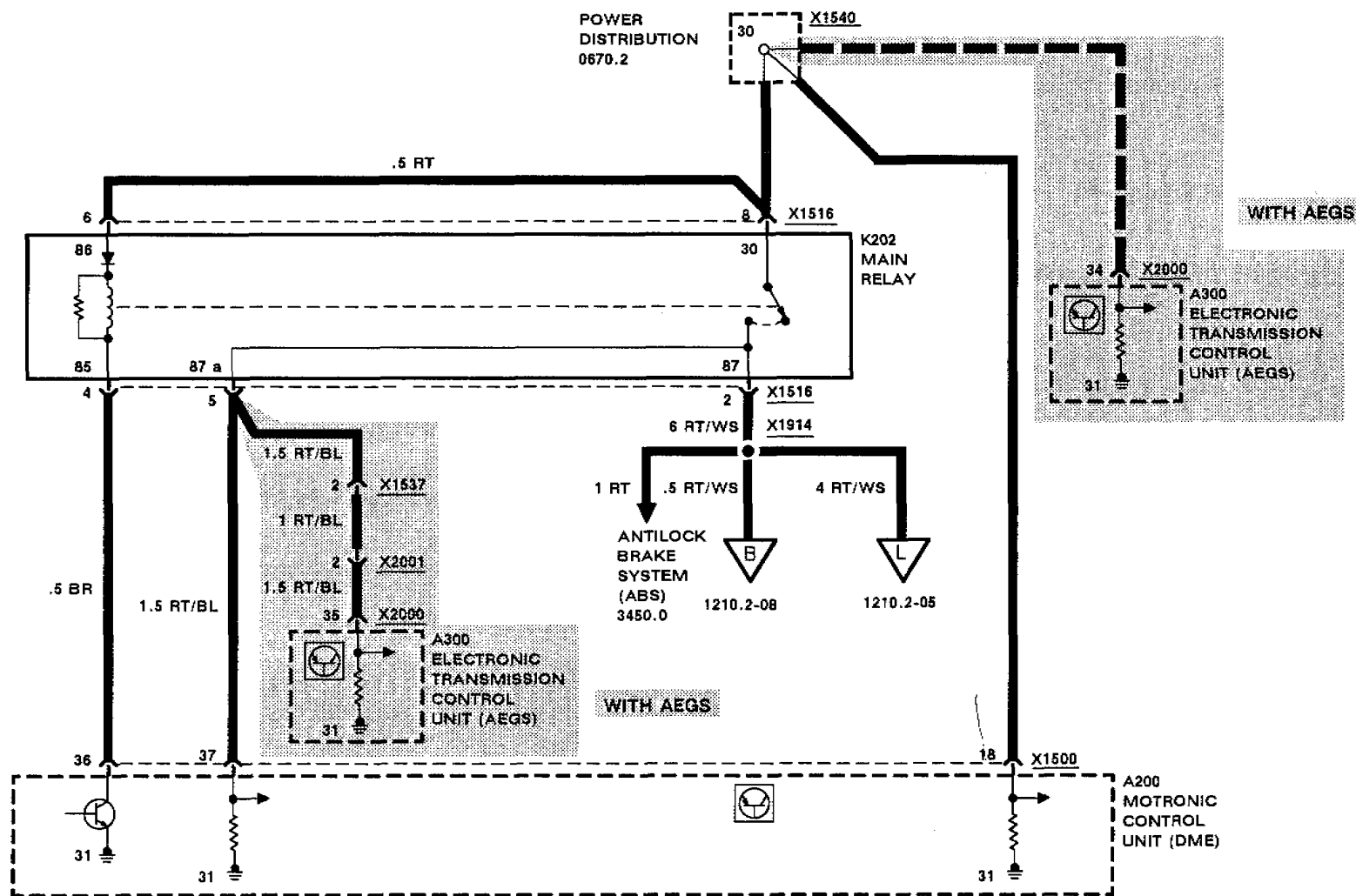


# INJECTION ELECTRONICS (DME 1.3)

525i

## FUEL INJECTORS





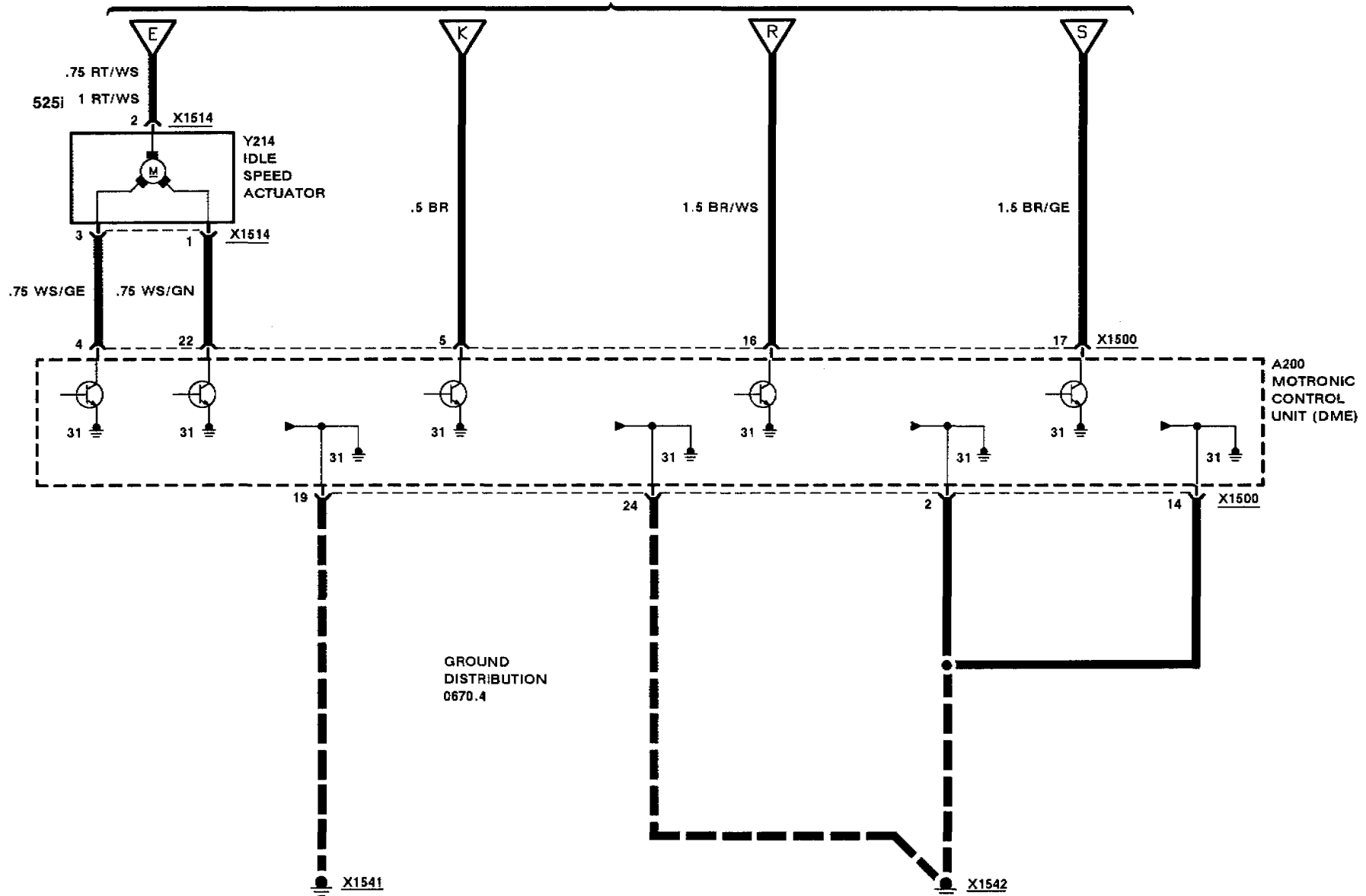


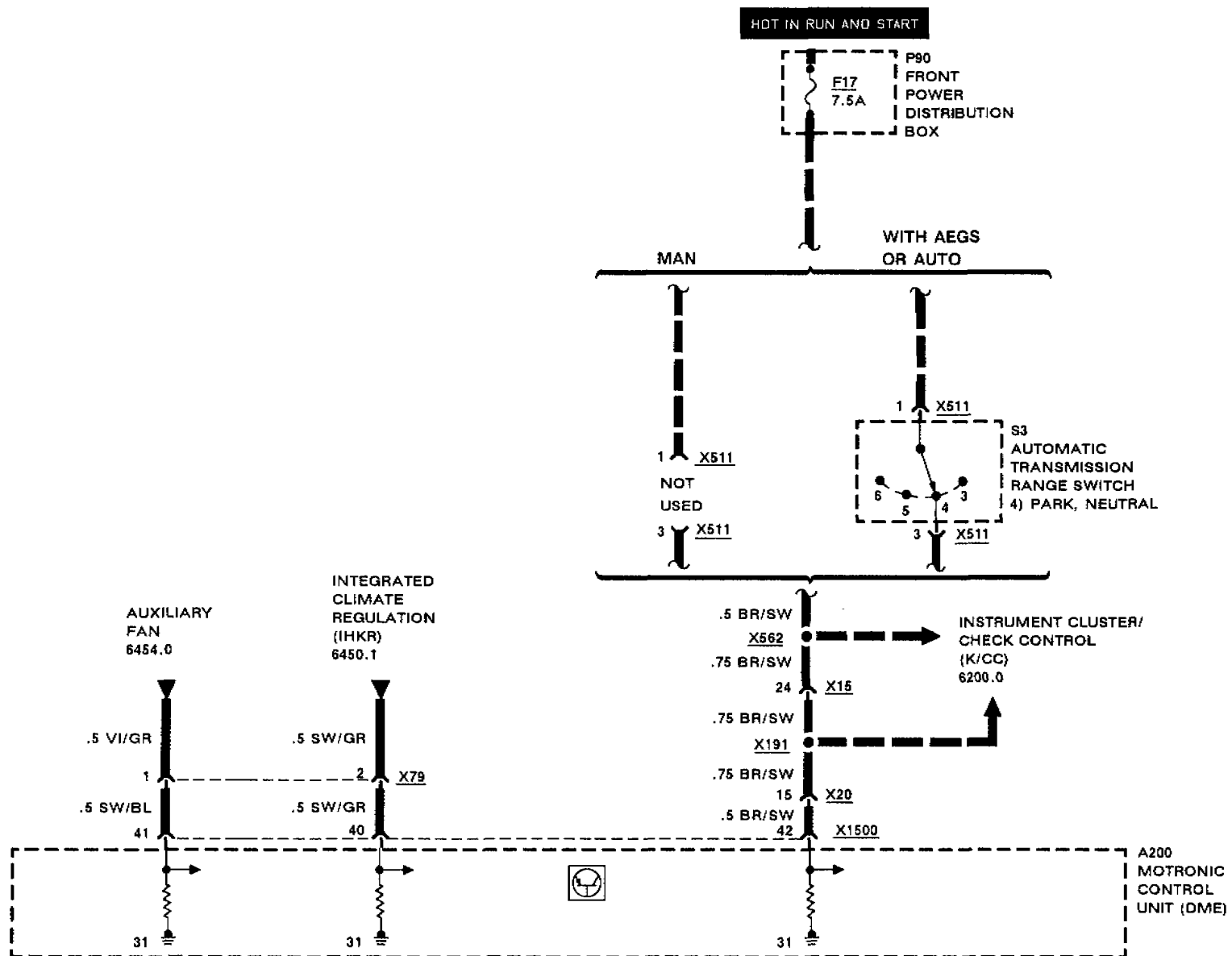




# INJECTION ELECTRONICS (DME 1.3)

1210.2-03  
1210.2-05

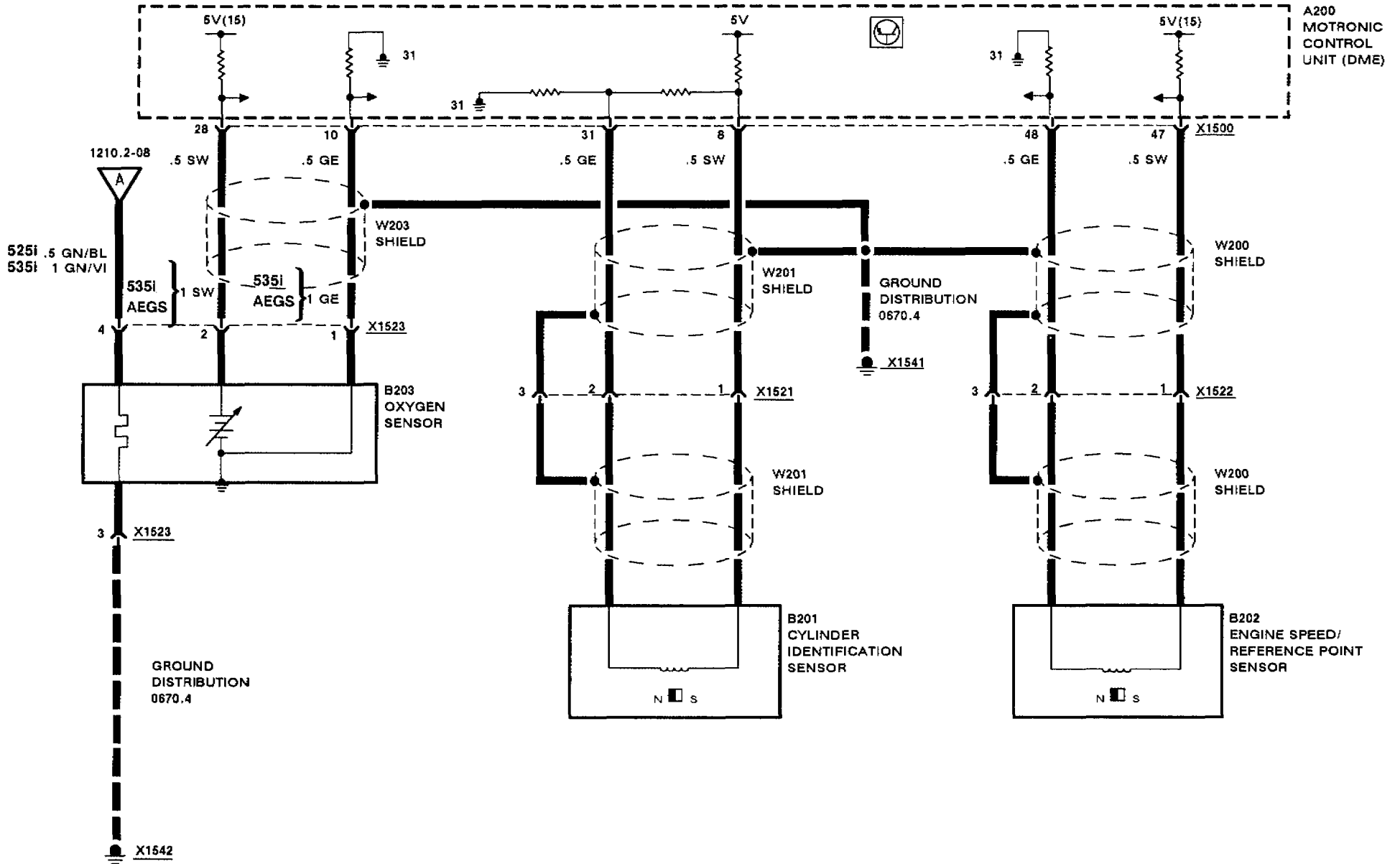






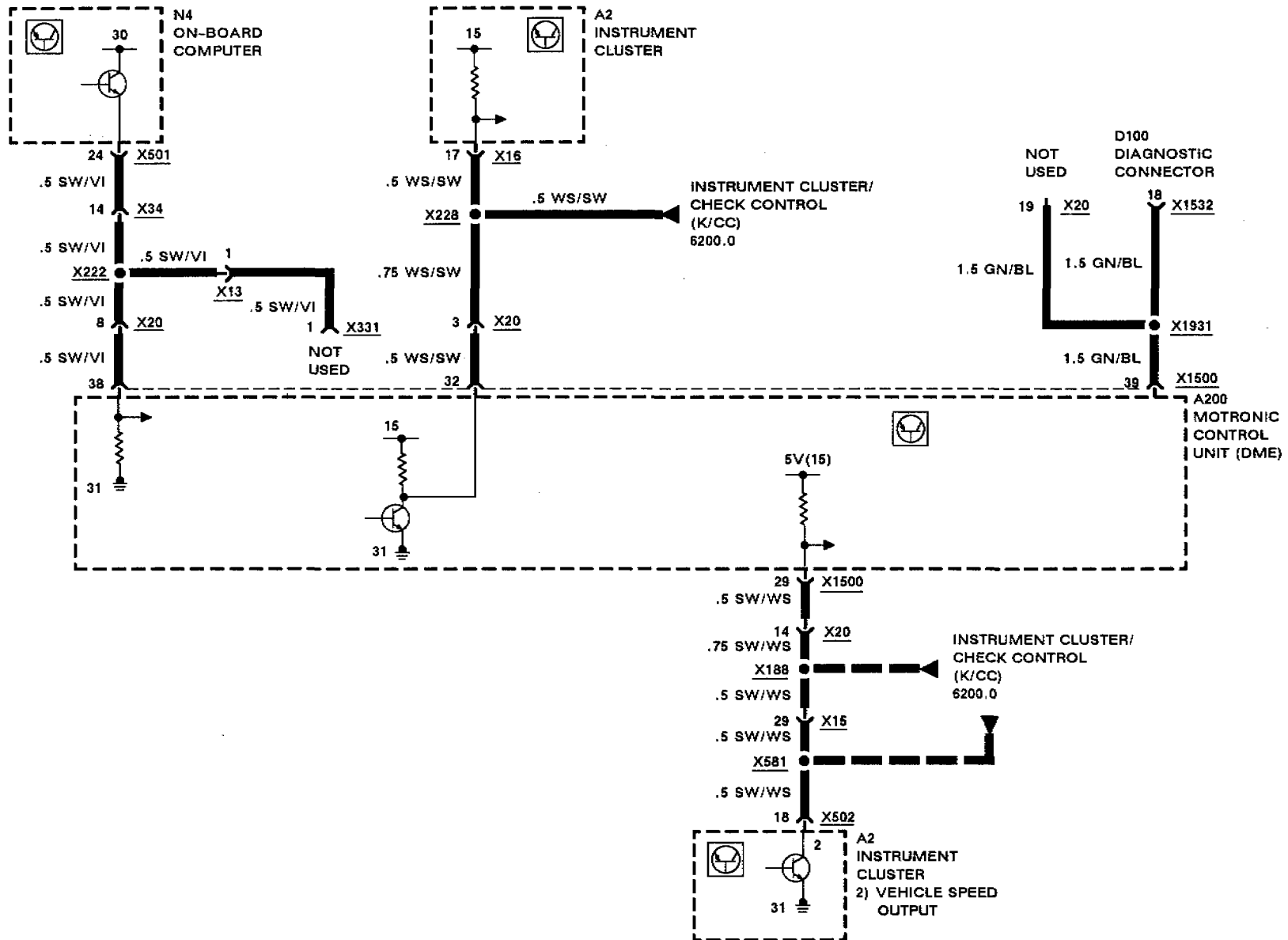


# INJECTION ELECTRONICS (DME 1.3)

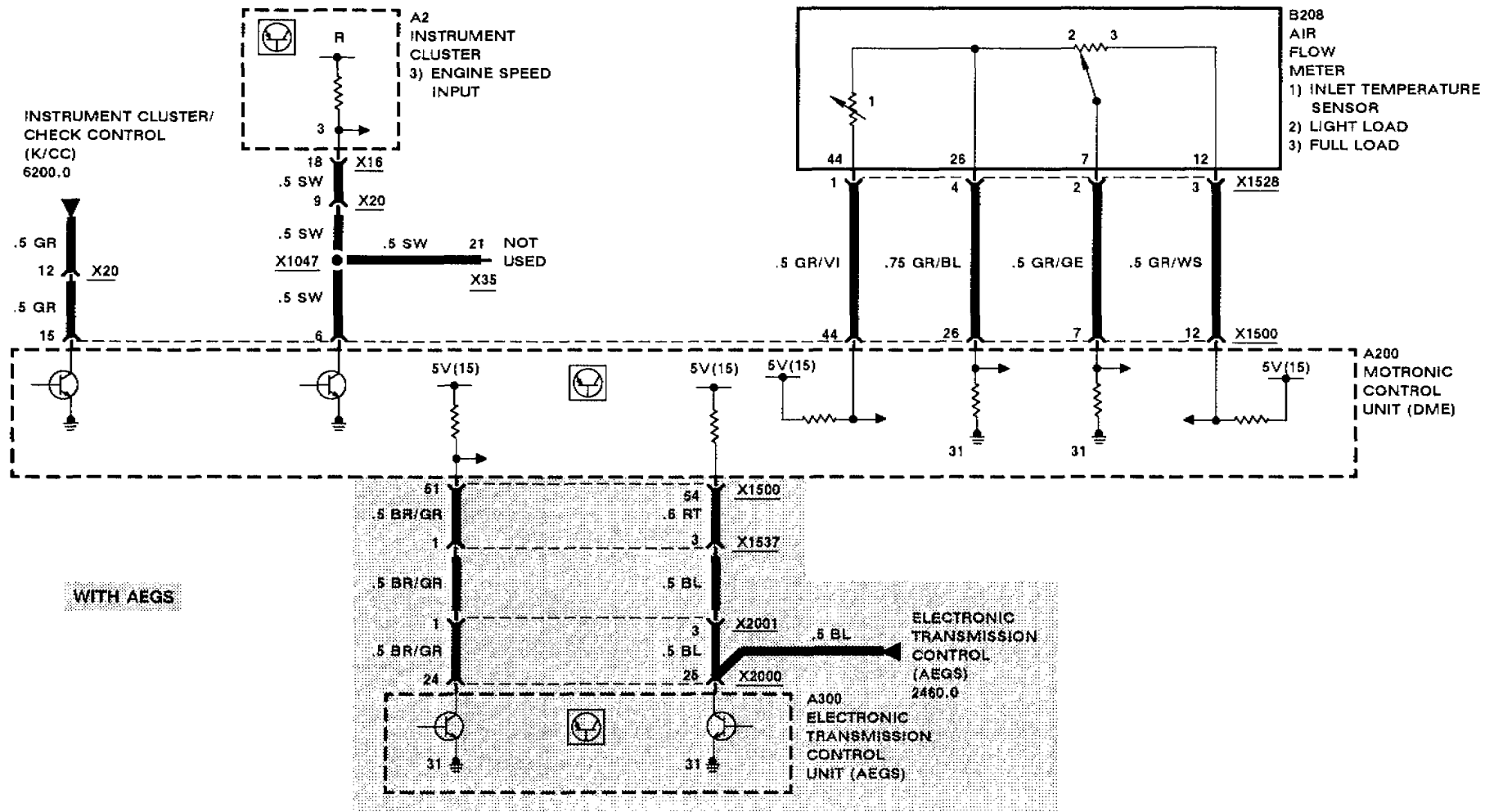




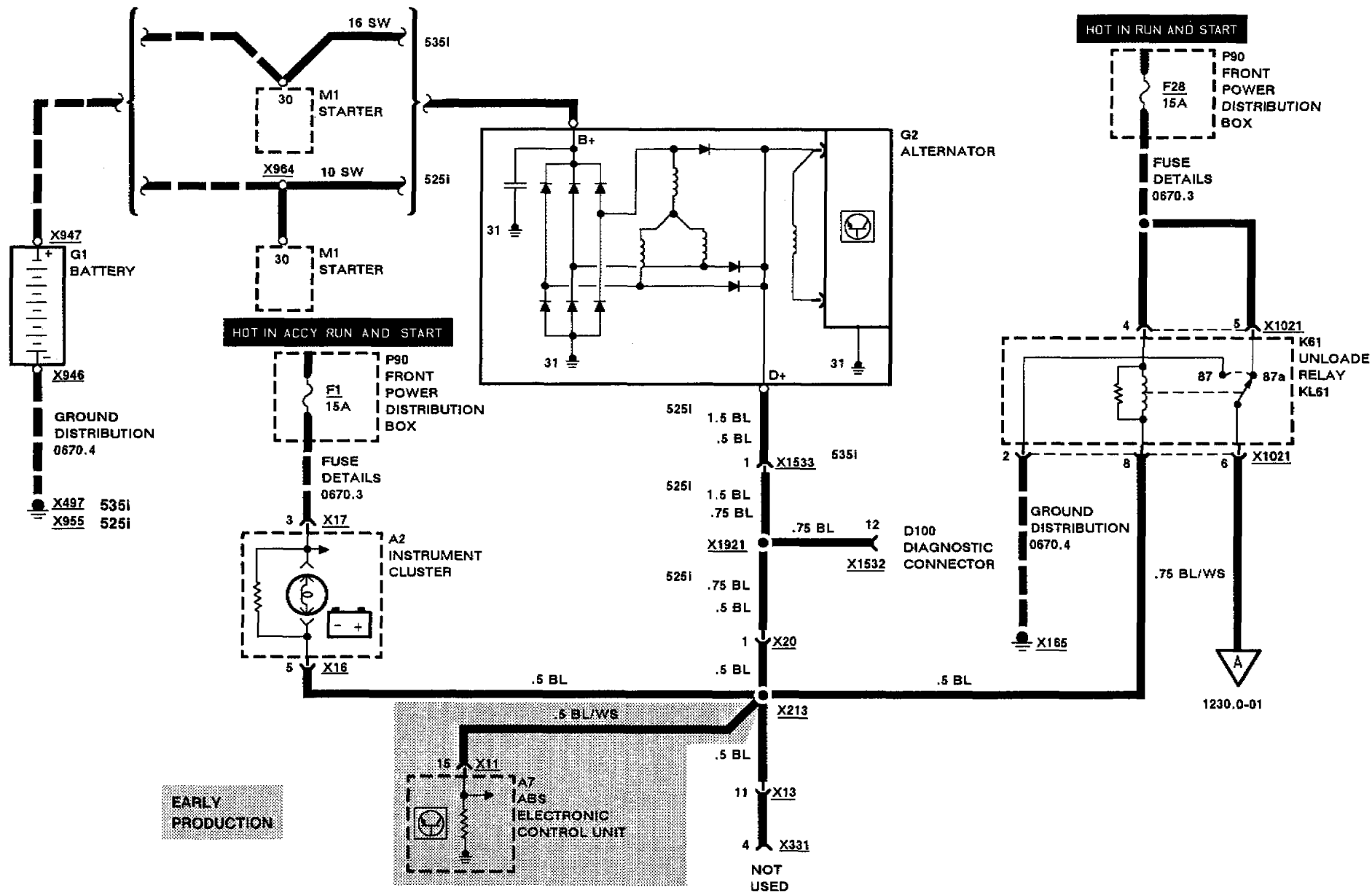
# INJECTION ELECTRONICS (DME 1.3)



# INJECTION ELECTRONICS (DME 1.3)



**BMW 5 CHARGING SYSTEM**



EARLY PRODUCTION

2/89  
1230.0-00  
1989

1230.0-01

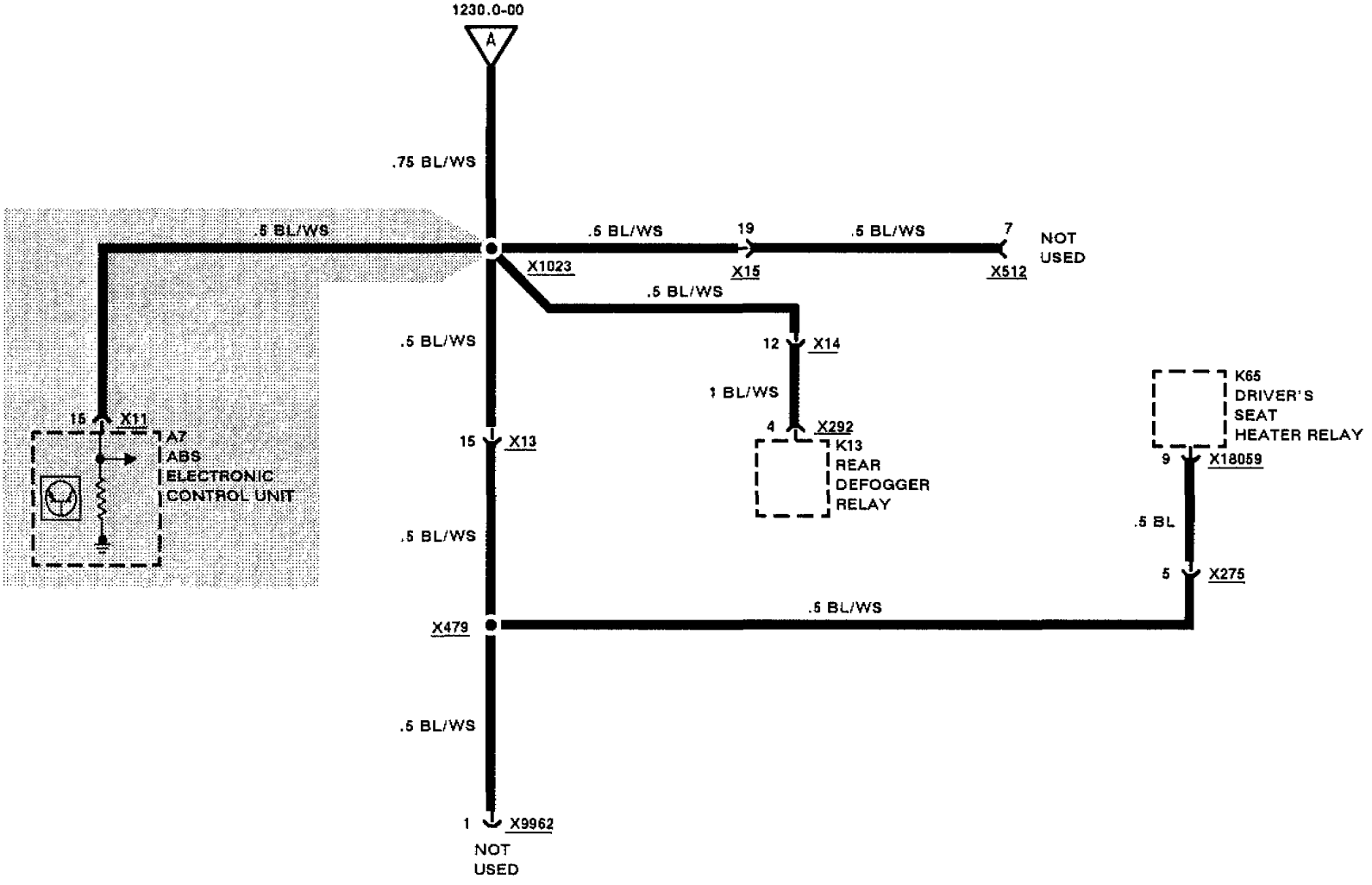


# CHARGING SYSTEM

2/89

1230.0-01

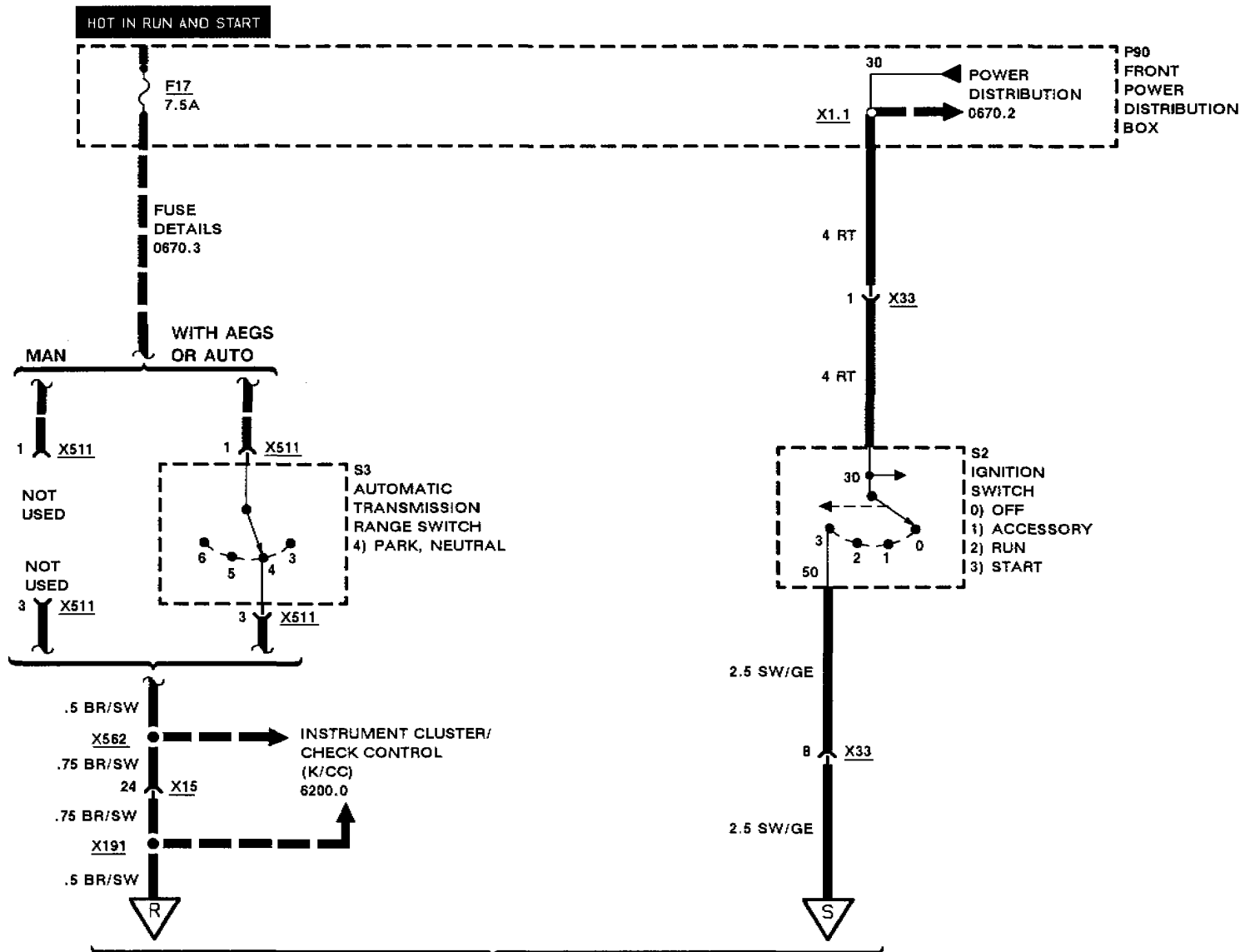
1989





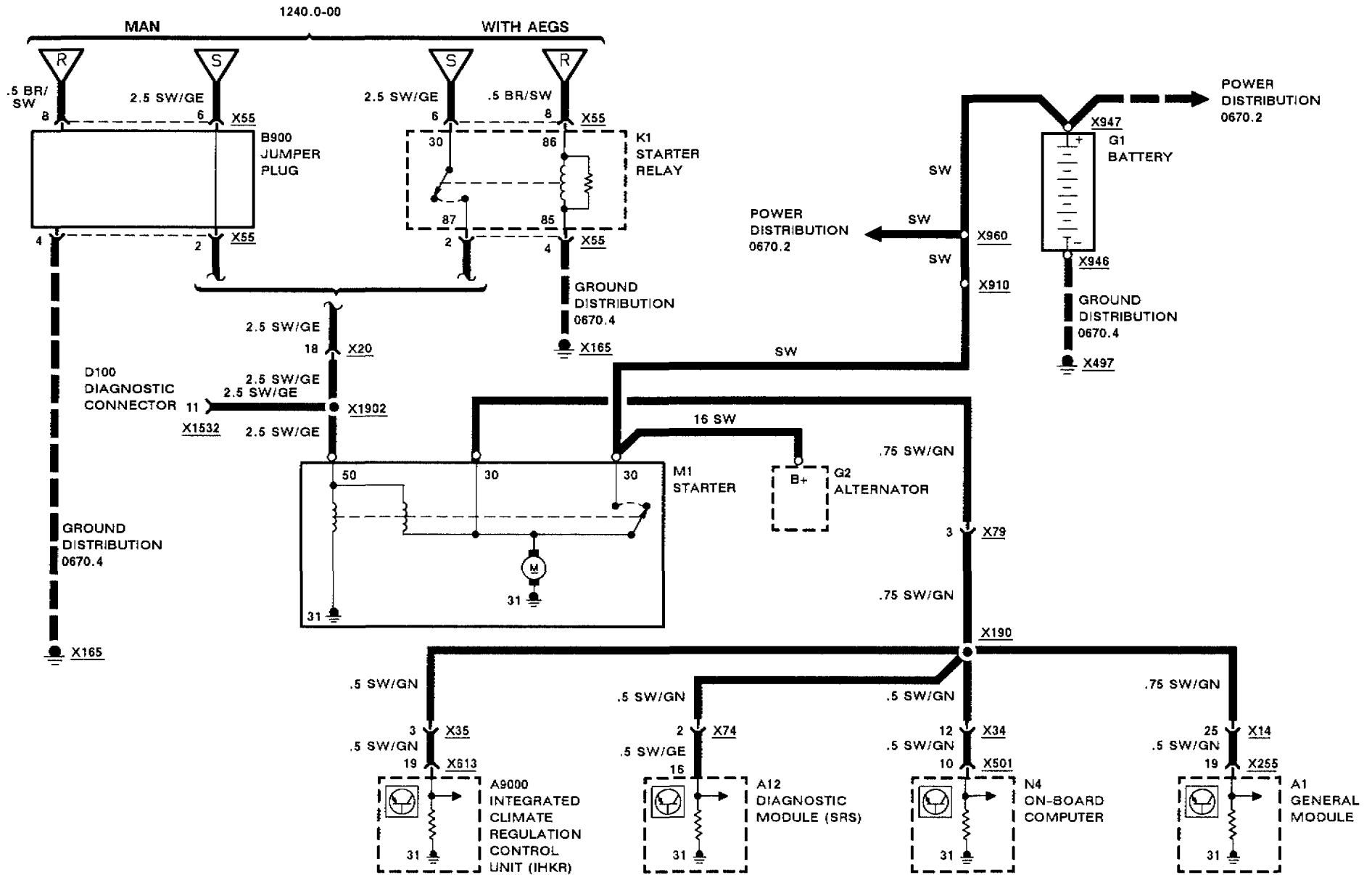


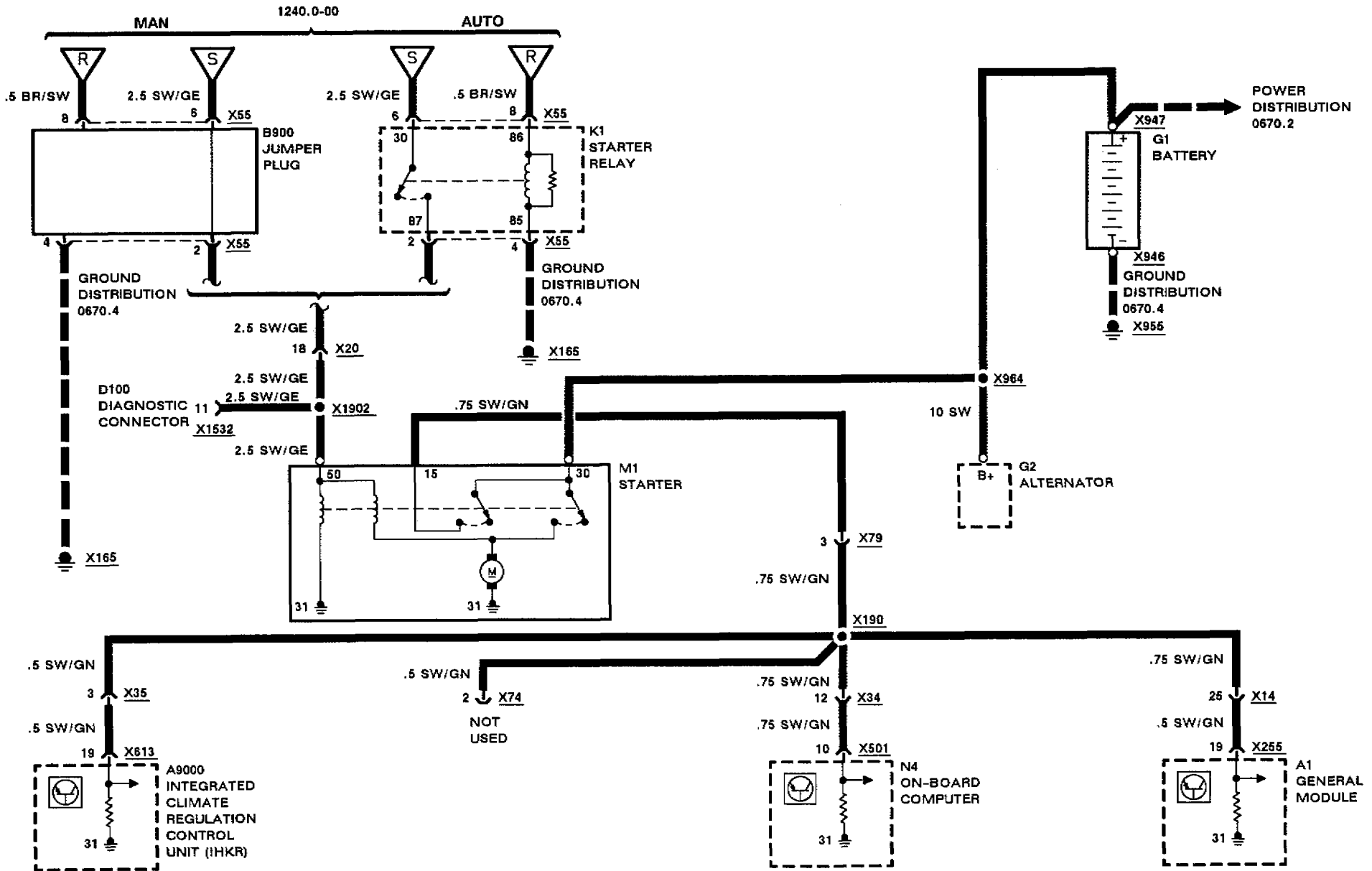
# START



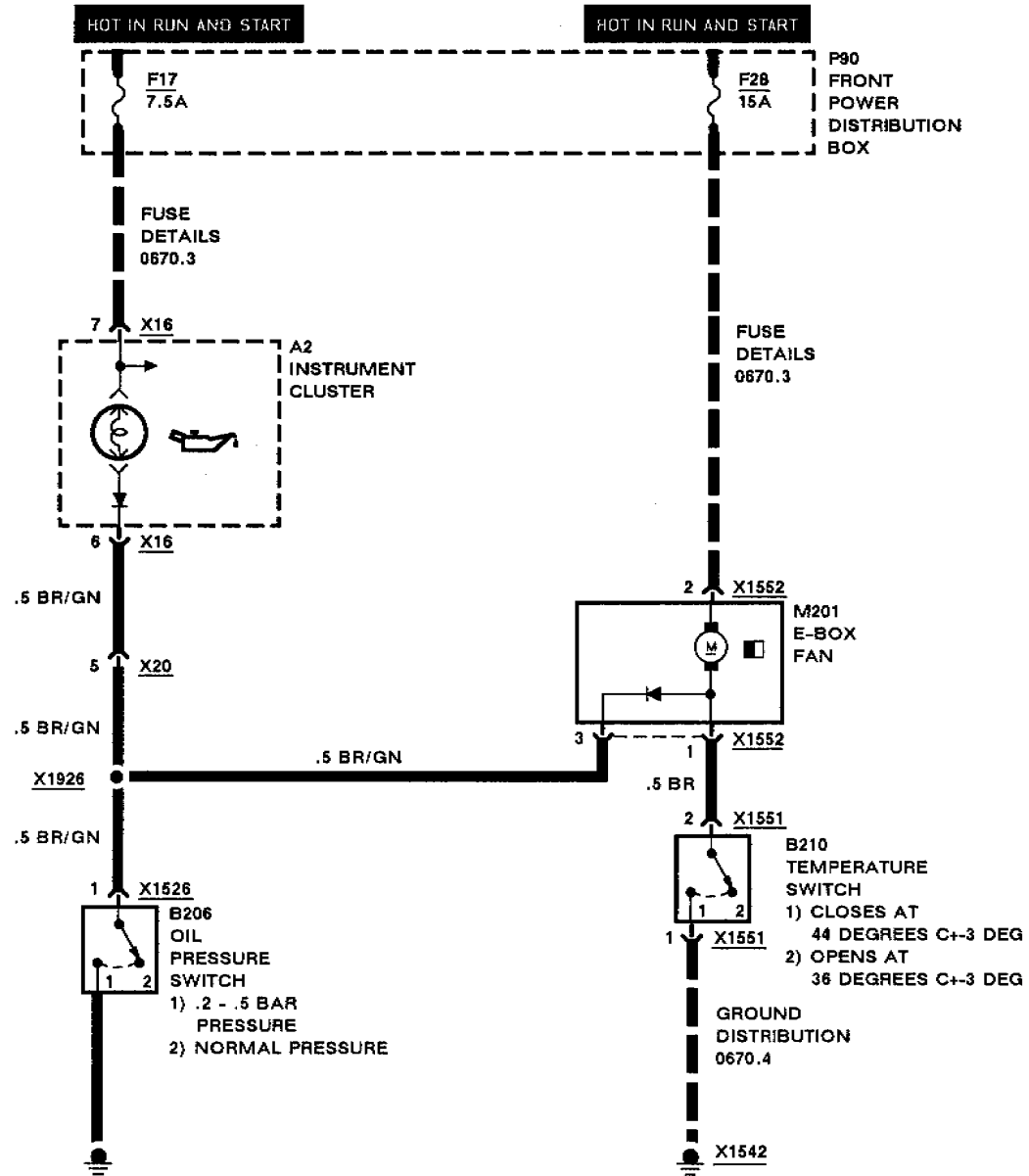
1240.0-01 535i

1240.0-02 525i



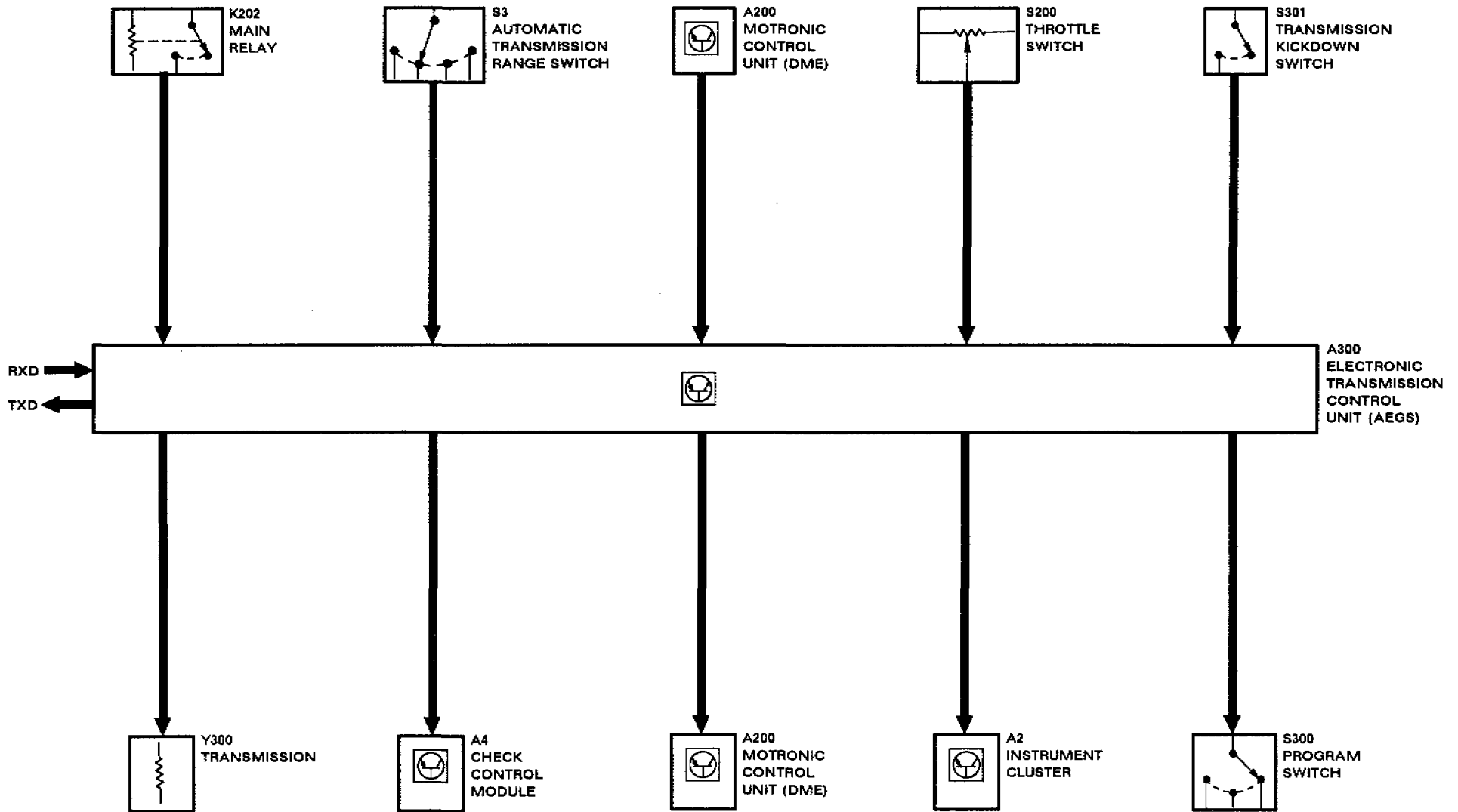


E - BOX FAN



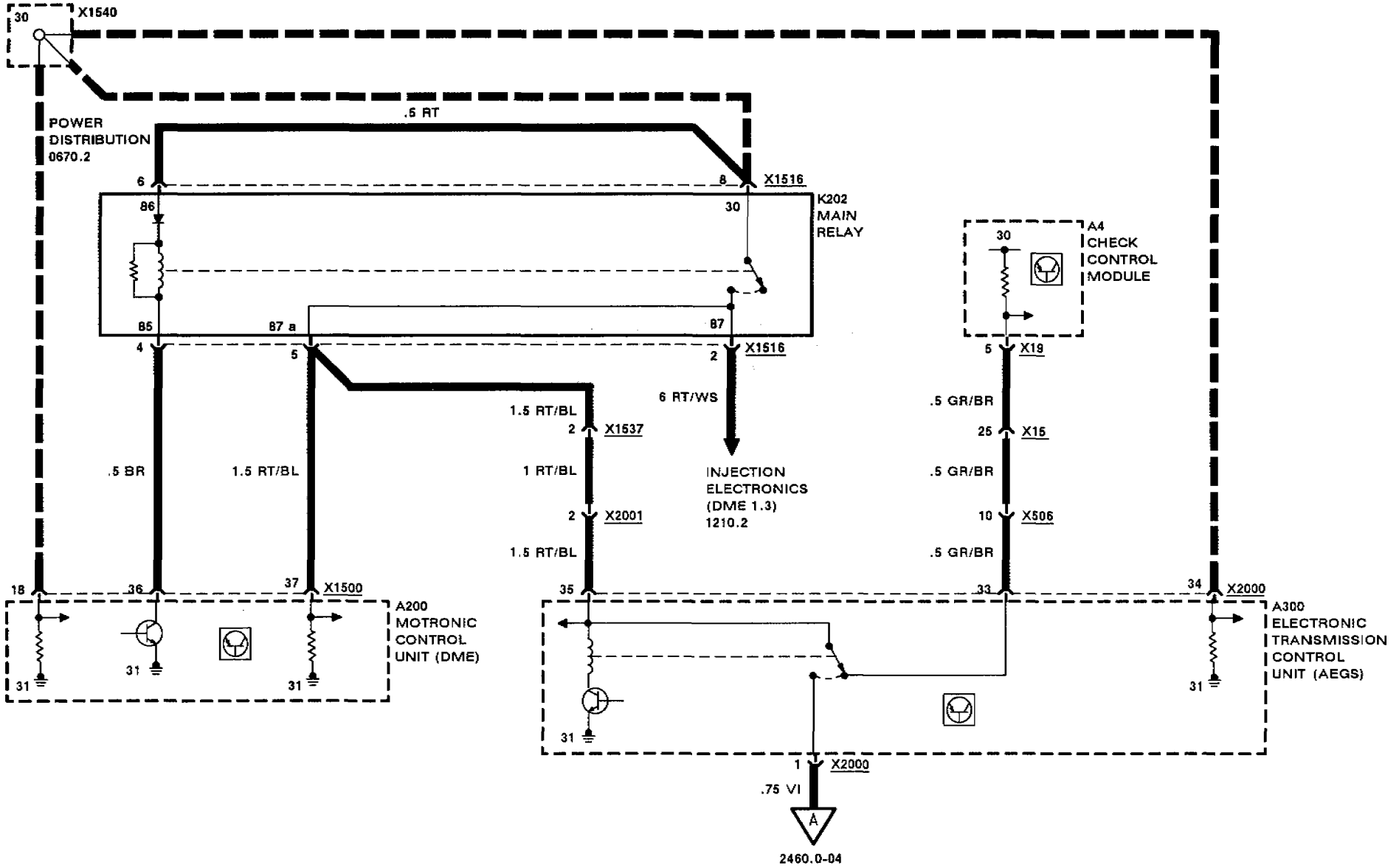


# ELECTRONIC TRANSMISSION CONTROL (AEGS)



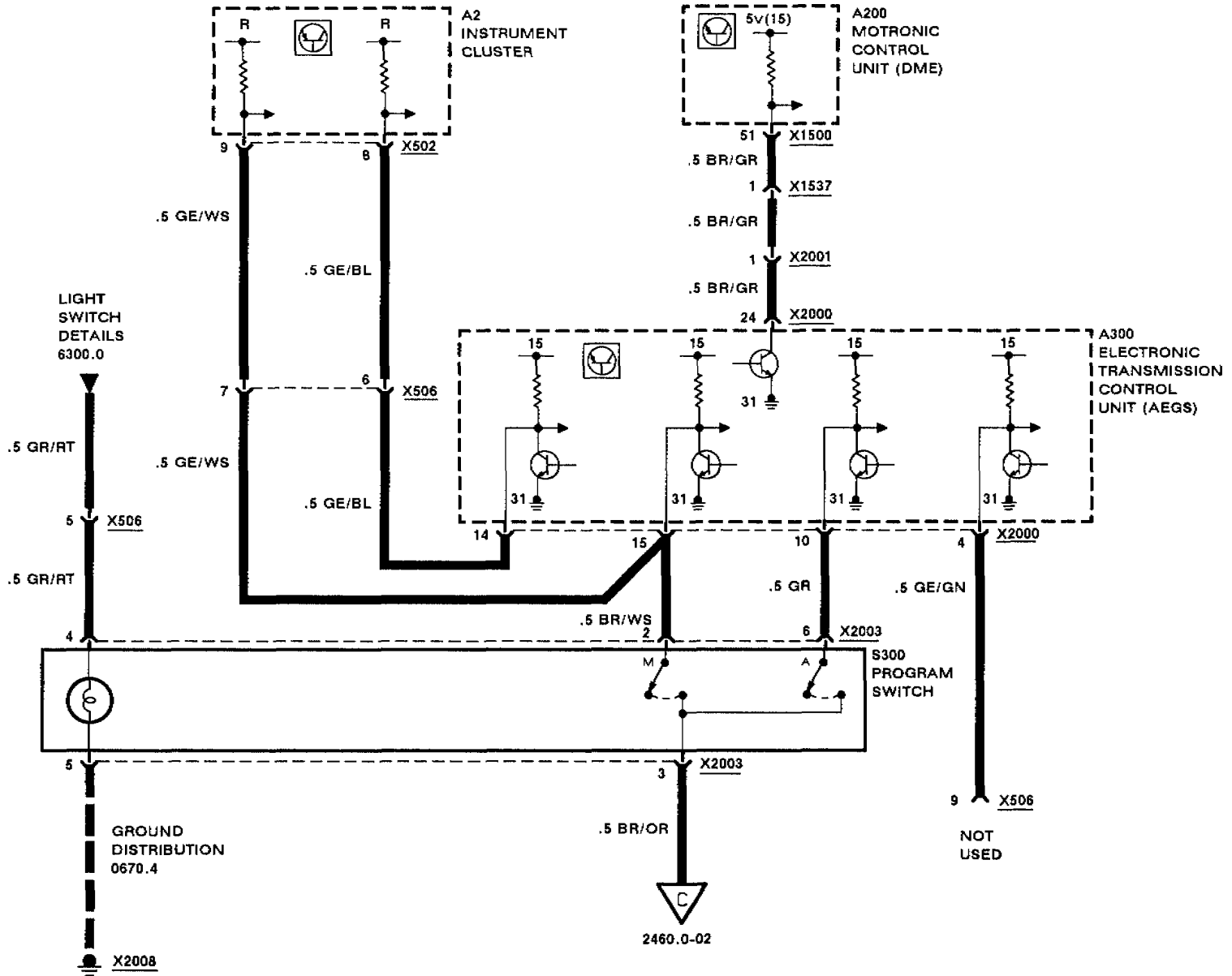


# ELECTRONIC TRANSMISSION CONTROL (AEGS)



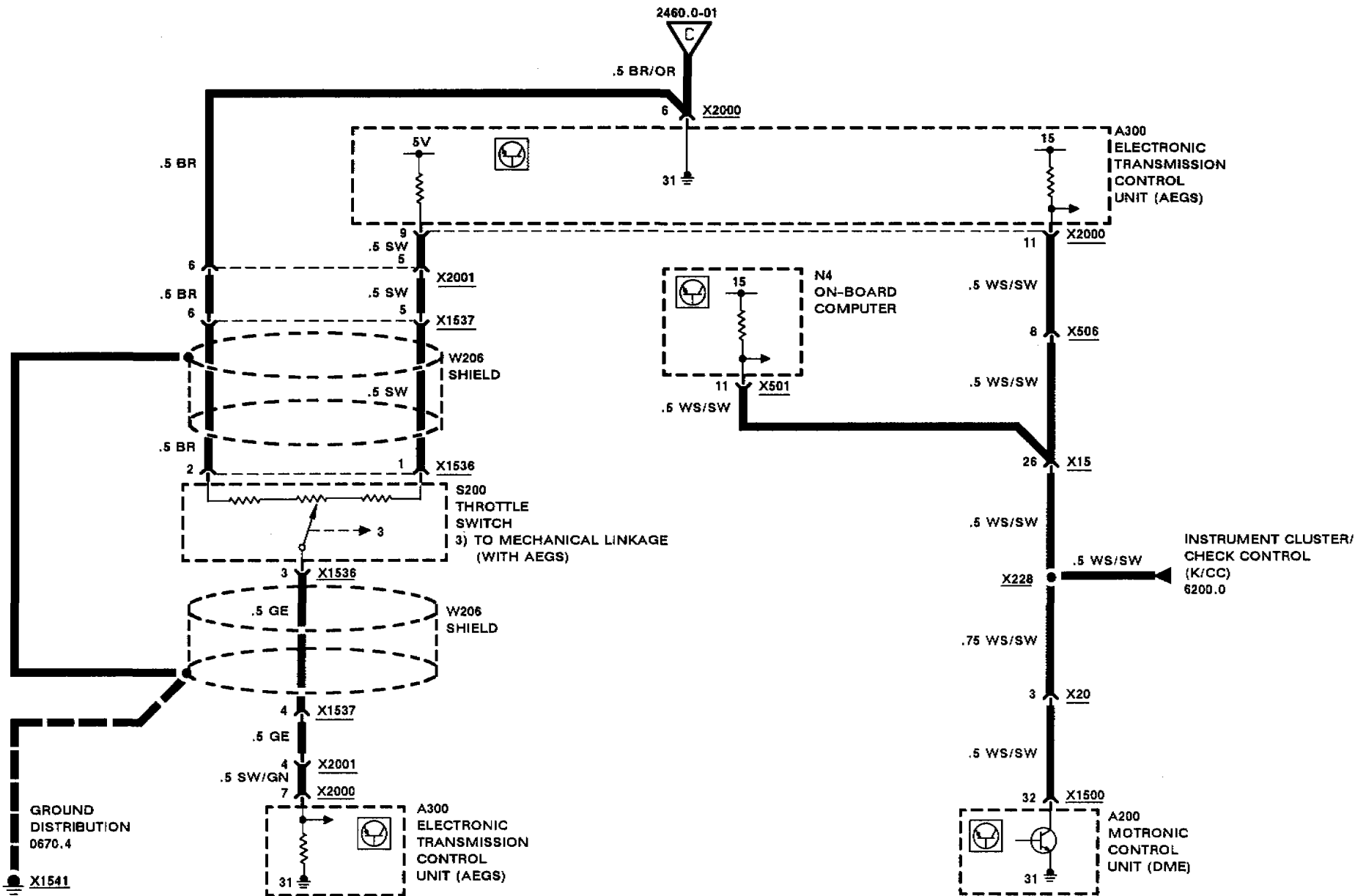


# ELECTRONIC TRANSMISSION CONTROL (AEGS)





# ELECTRONIC TRANSMISSION CONTROL (AEGS)







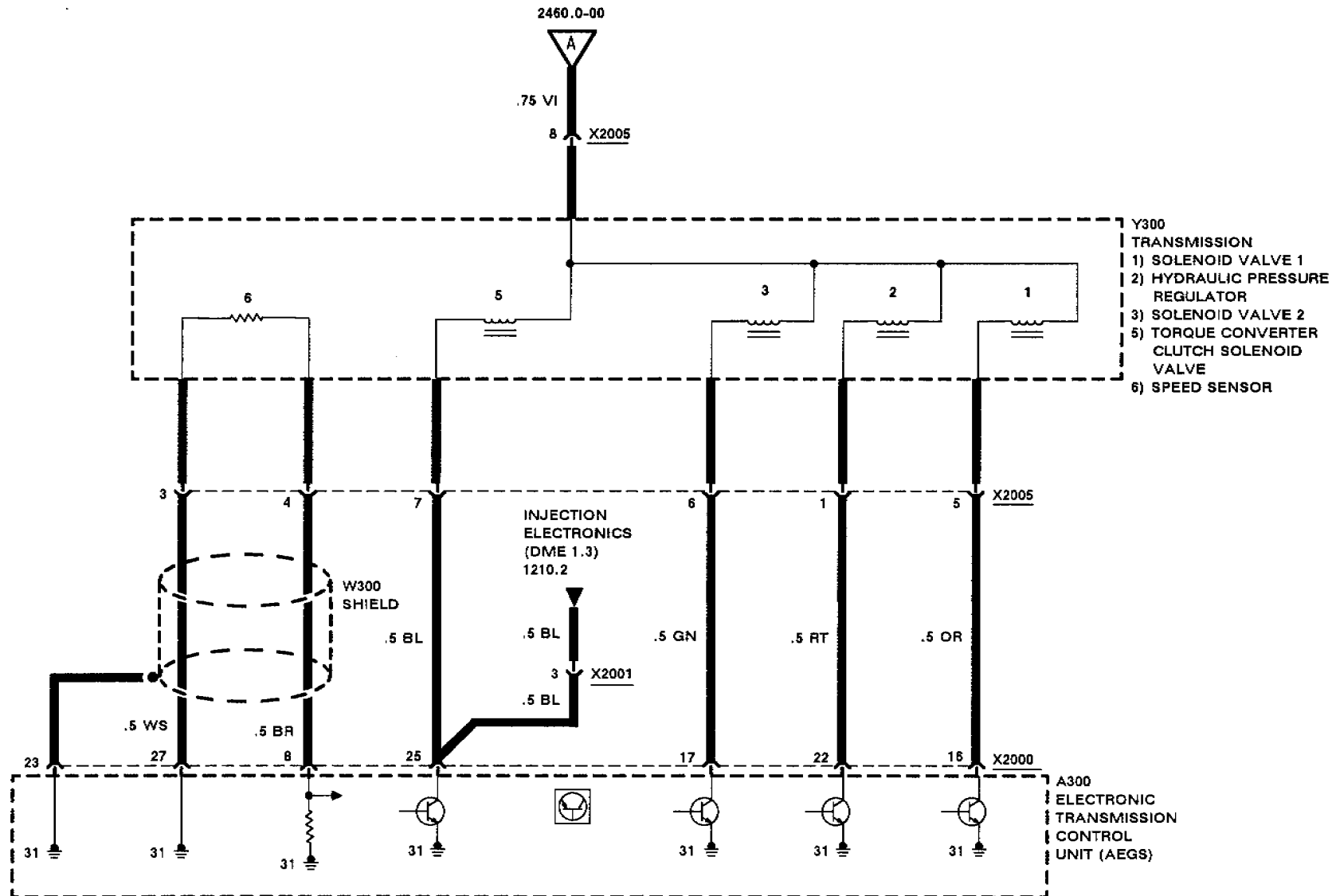


# ELECTRONIC TRANSMISSION CONTROL (AEGS)

2/89

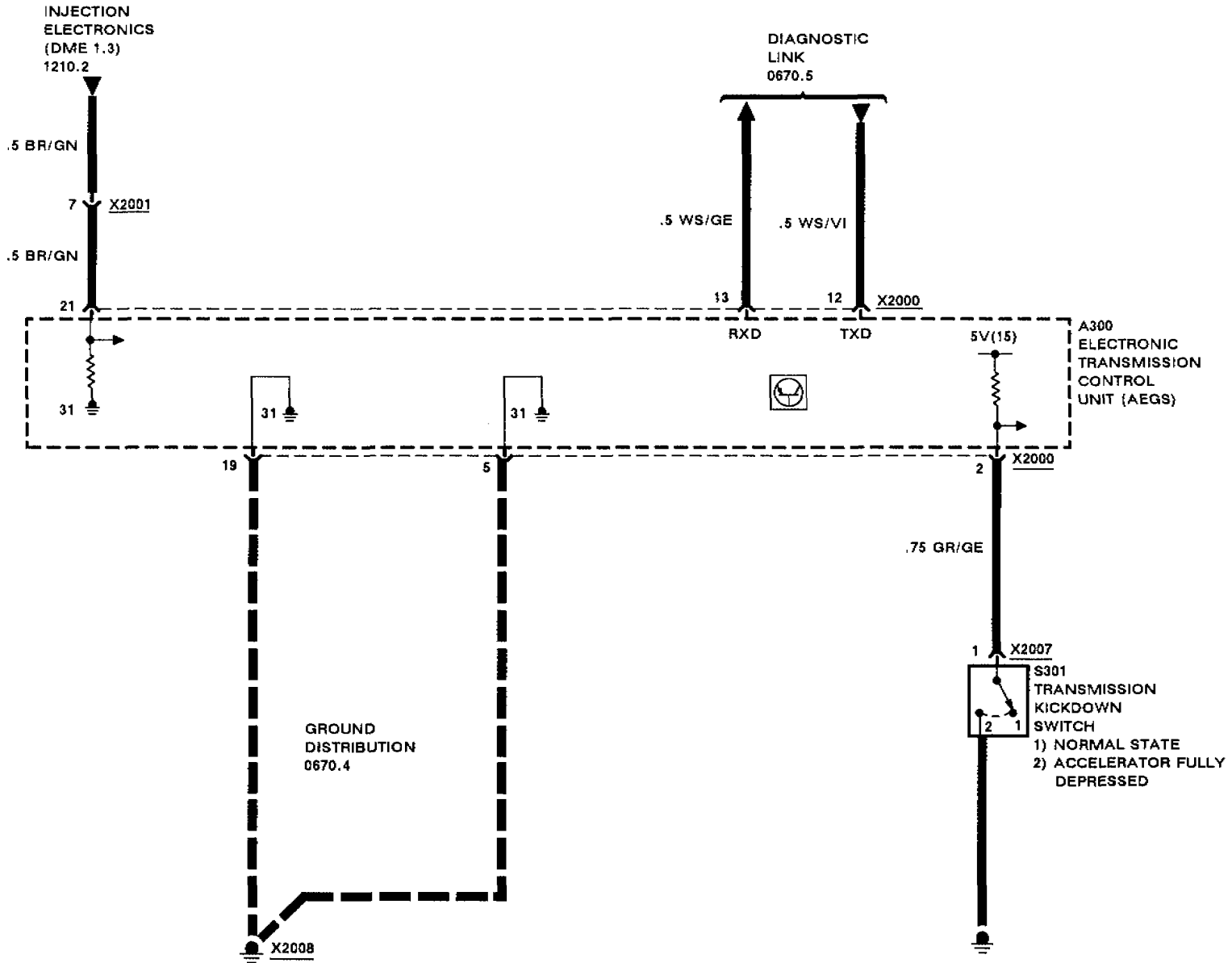
2460.0-04

1989



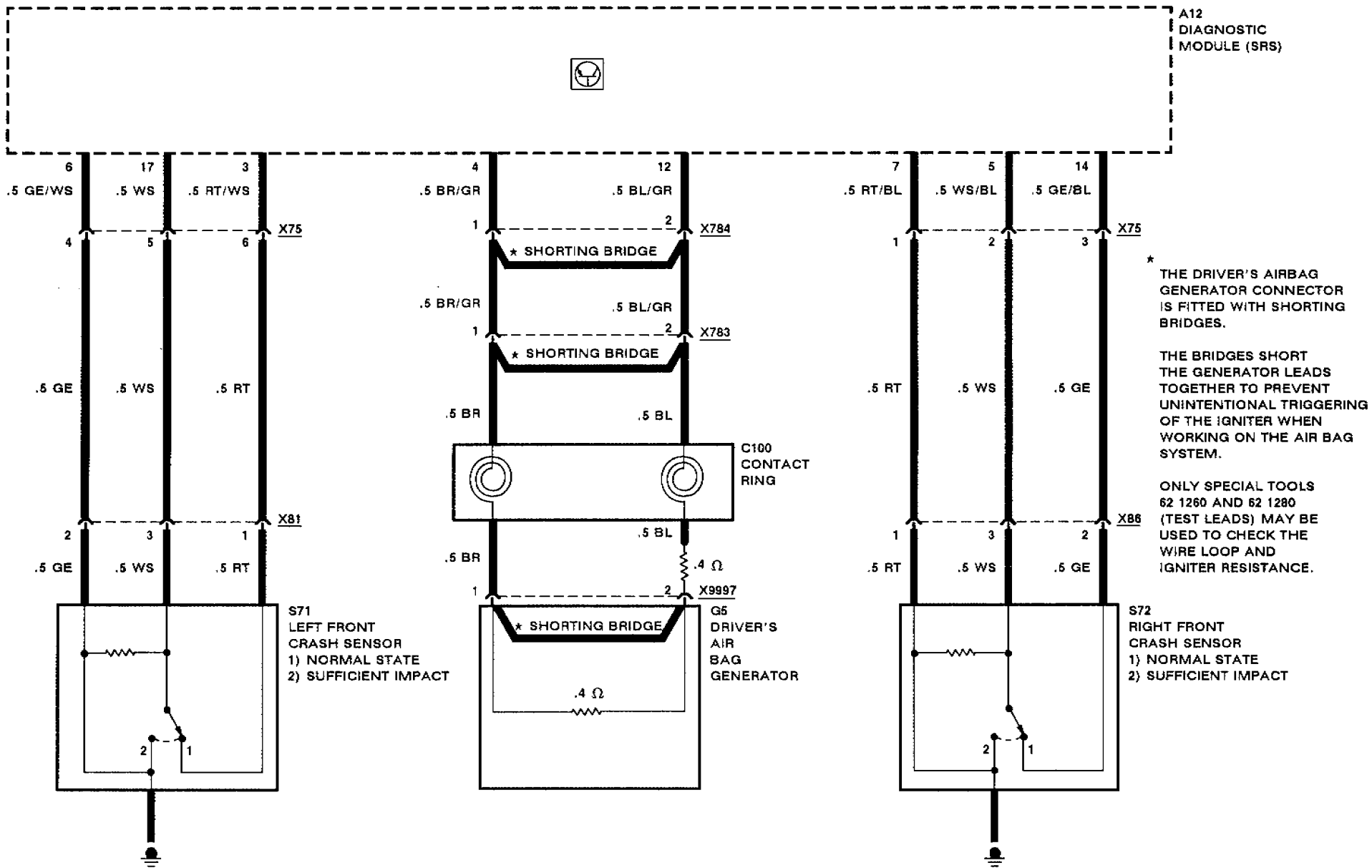


# ELECTRONIC TRANSMISSION CONTROL (AEGS)



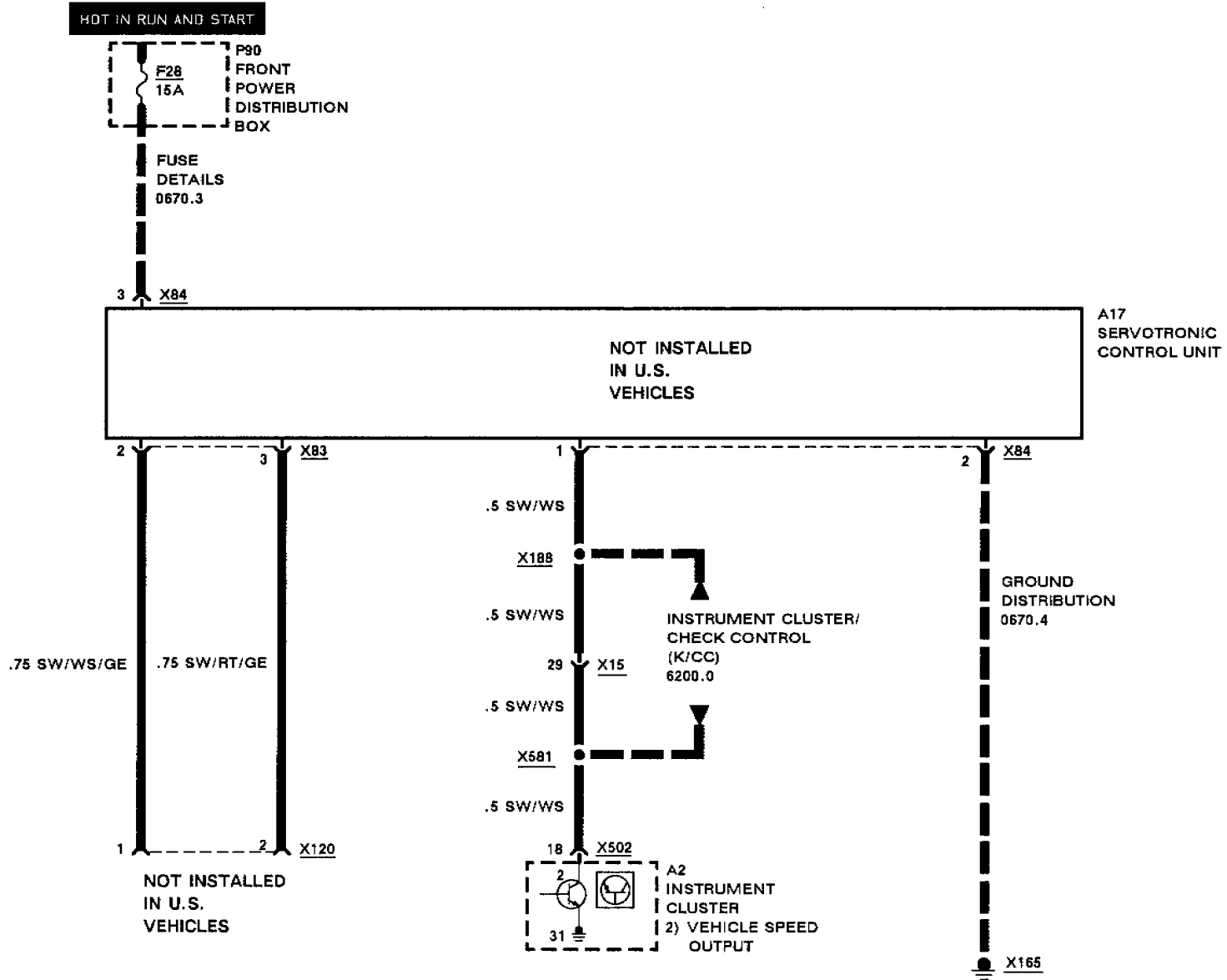


# SUPPLEMENTAL RESTRAINT SYSTEM (AIR BAG)



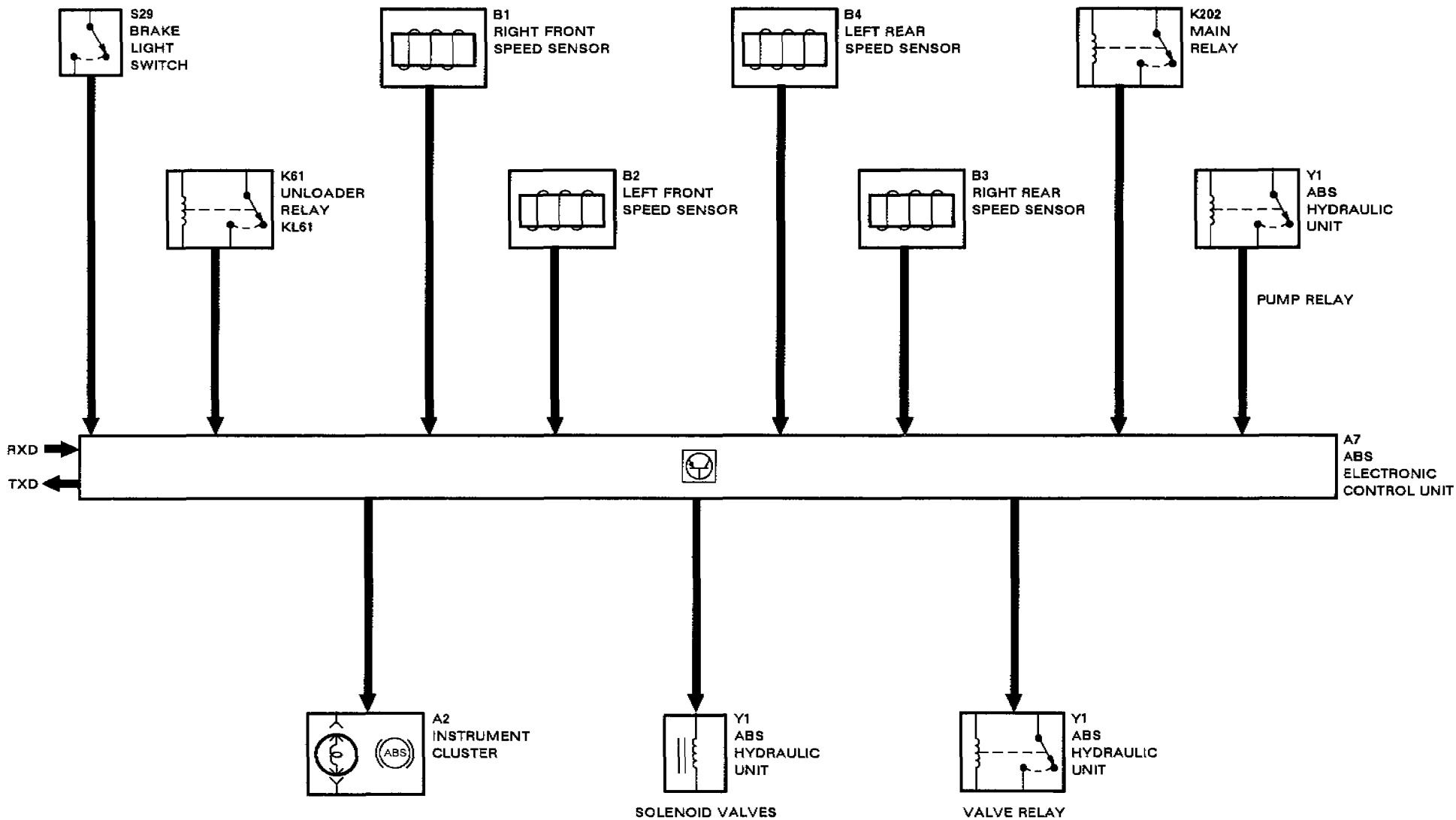


# POWER ASSIST STEERING (SERVOTRONIC)

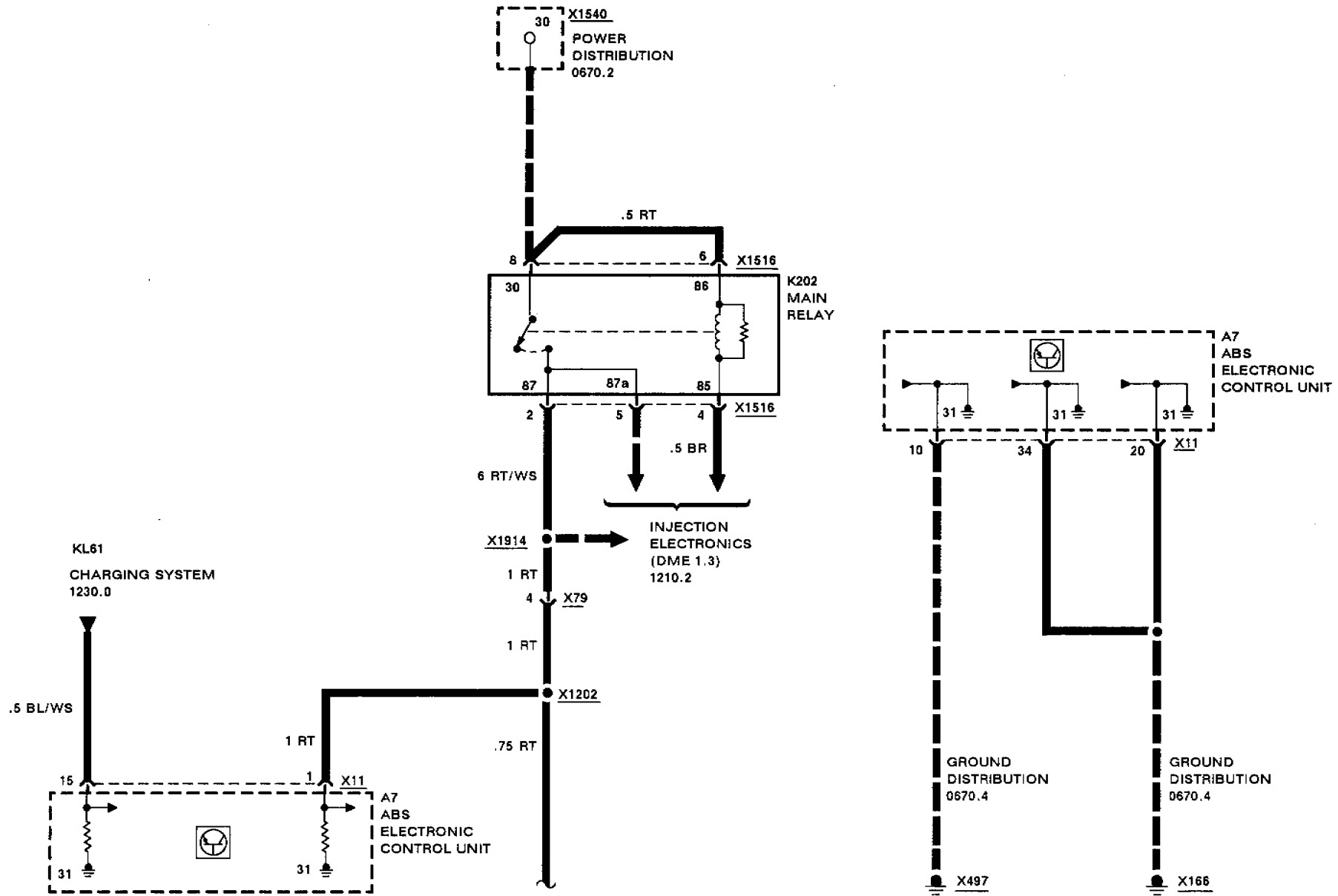




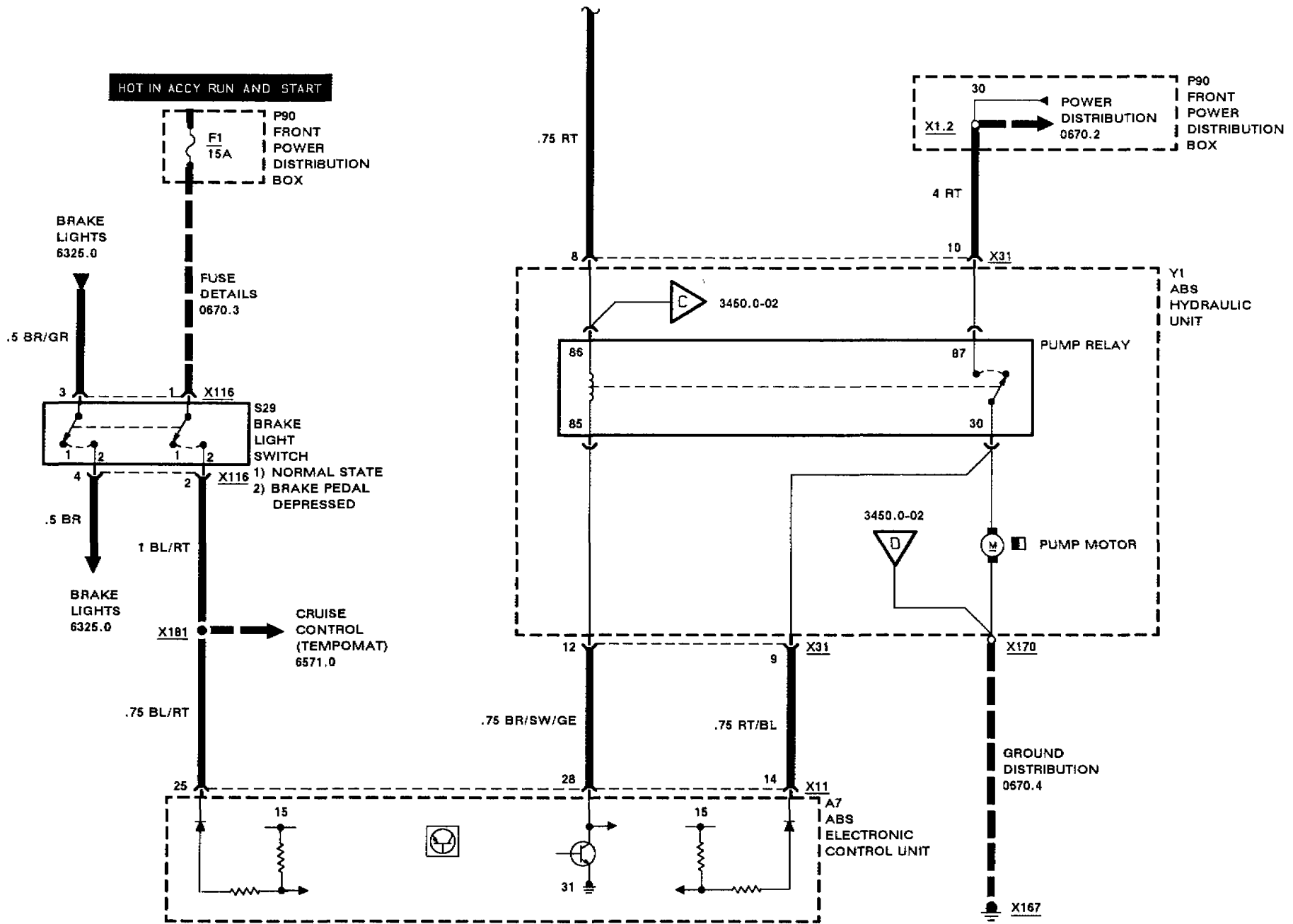
# ANTILOCK BRAKE SYSTEM (ABS)



# ANTILOCK BRAKE SYSTEM (ABS)

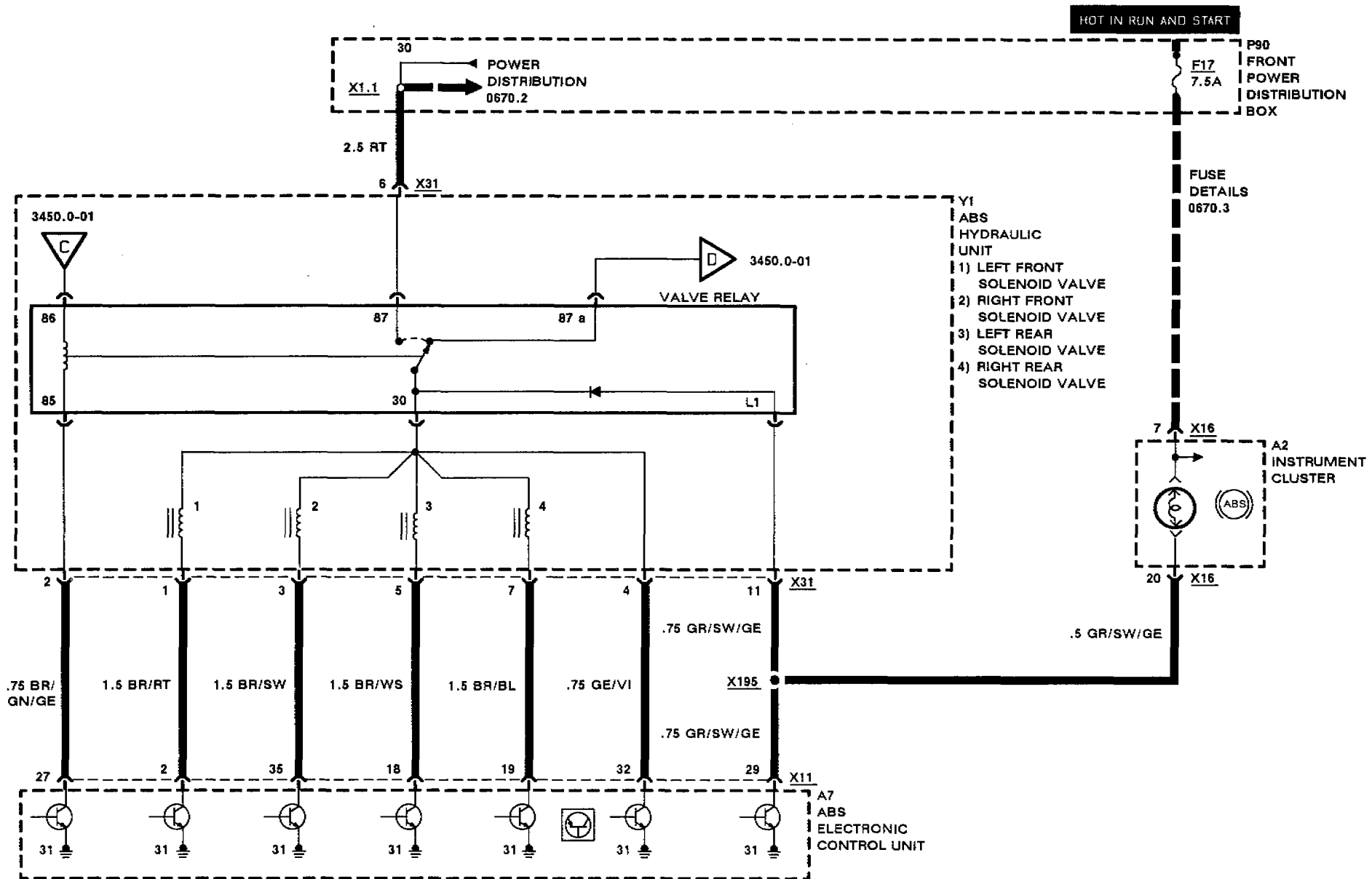






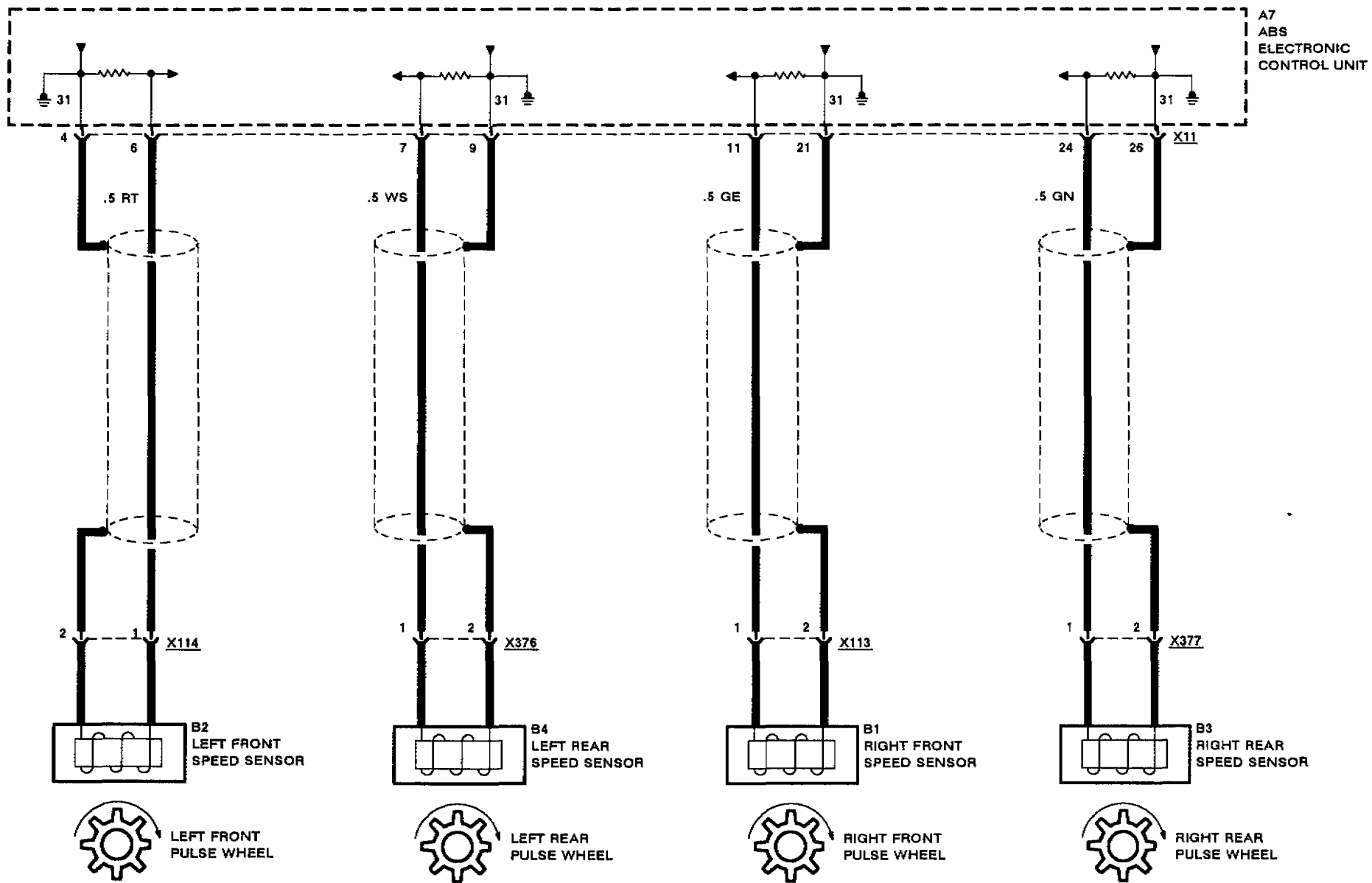


# ANTILOCK BRAKE SYSTEM (ABS)





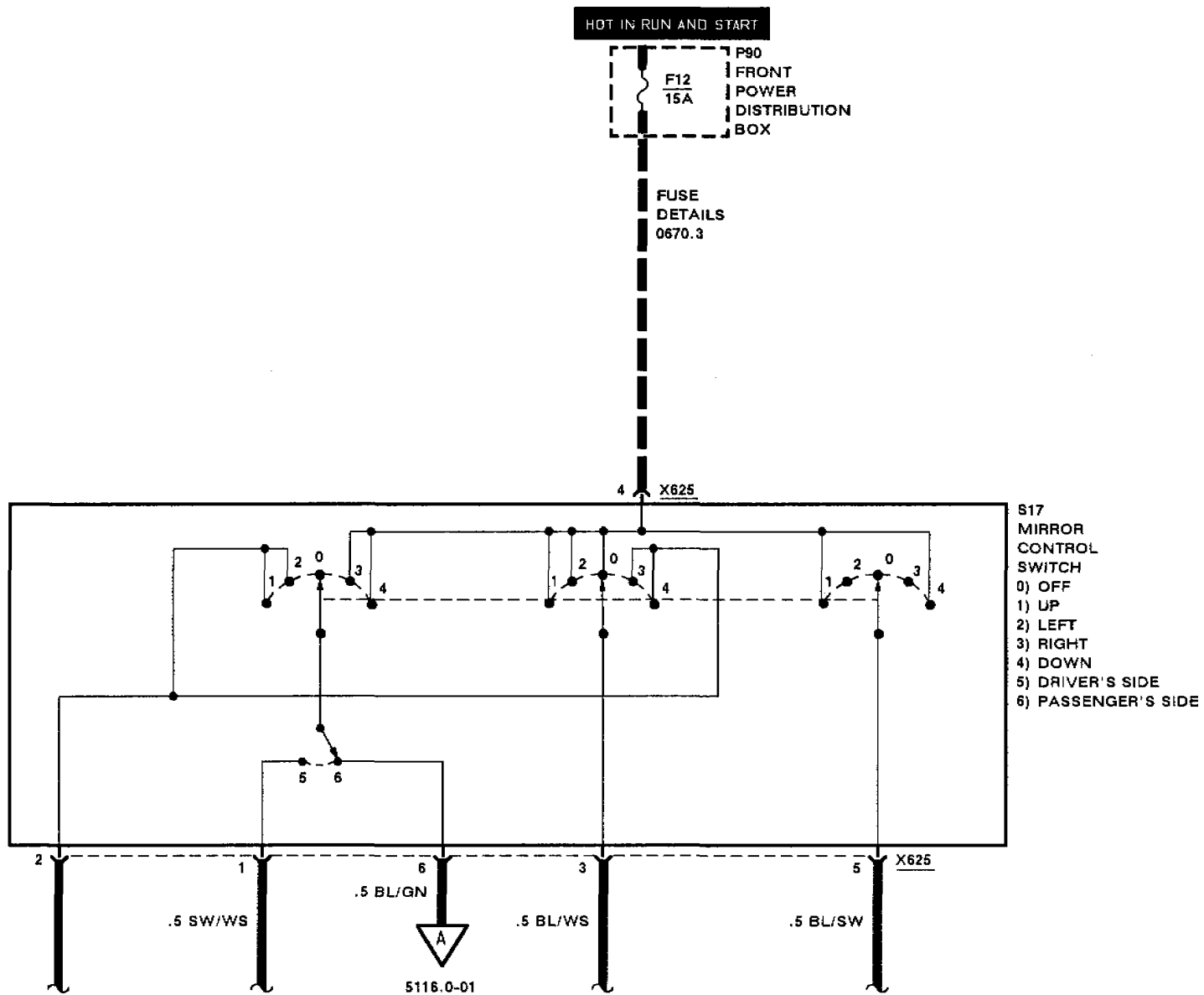
# ANTILOCK BRAKE SYSTEM (ABS)

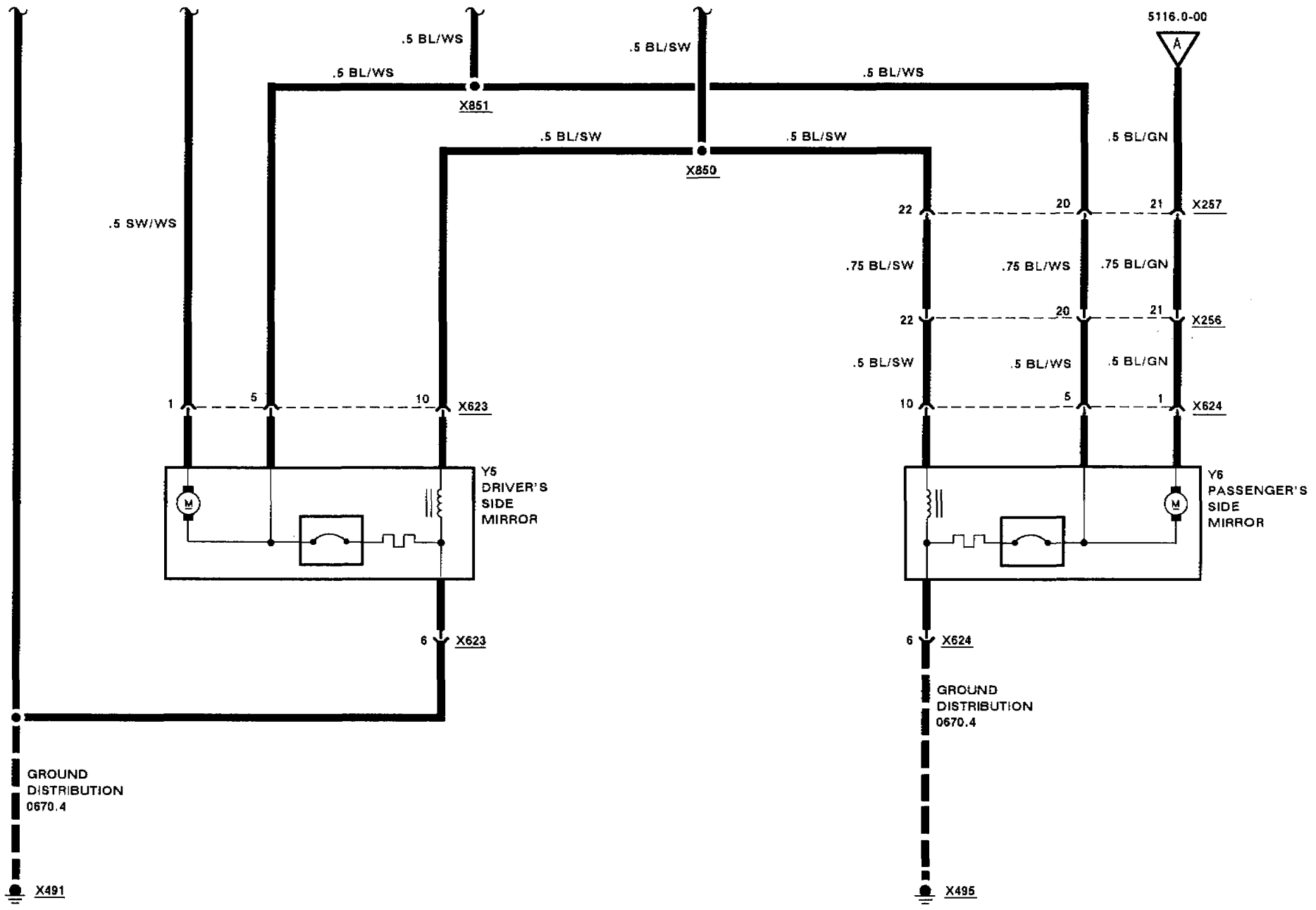




# POWER MIRRORS

## EXTERIOR MIRRORS

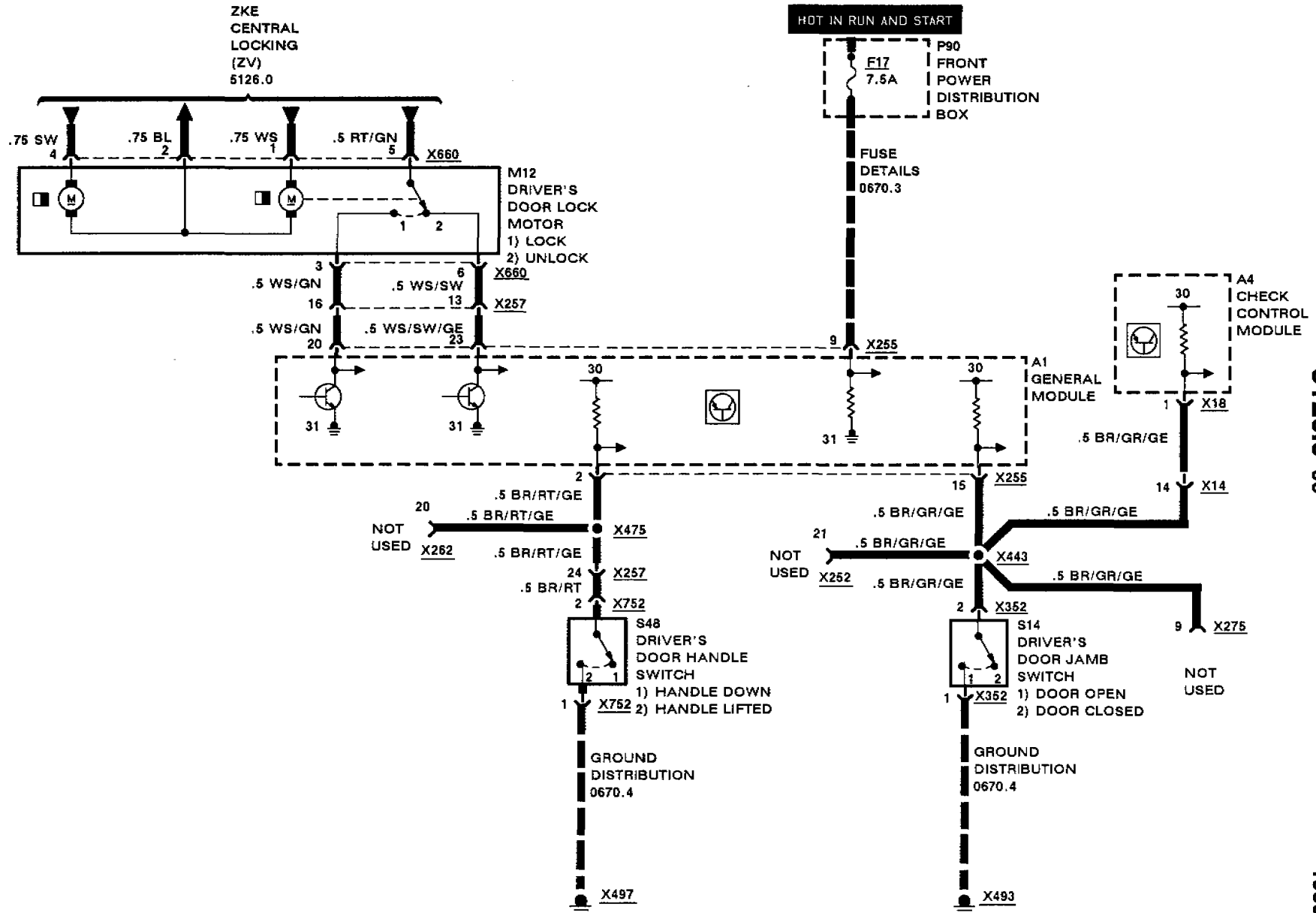






# ZKE DOOR LOCK HEATING (TSH)

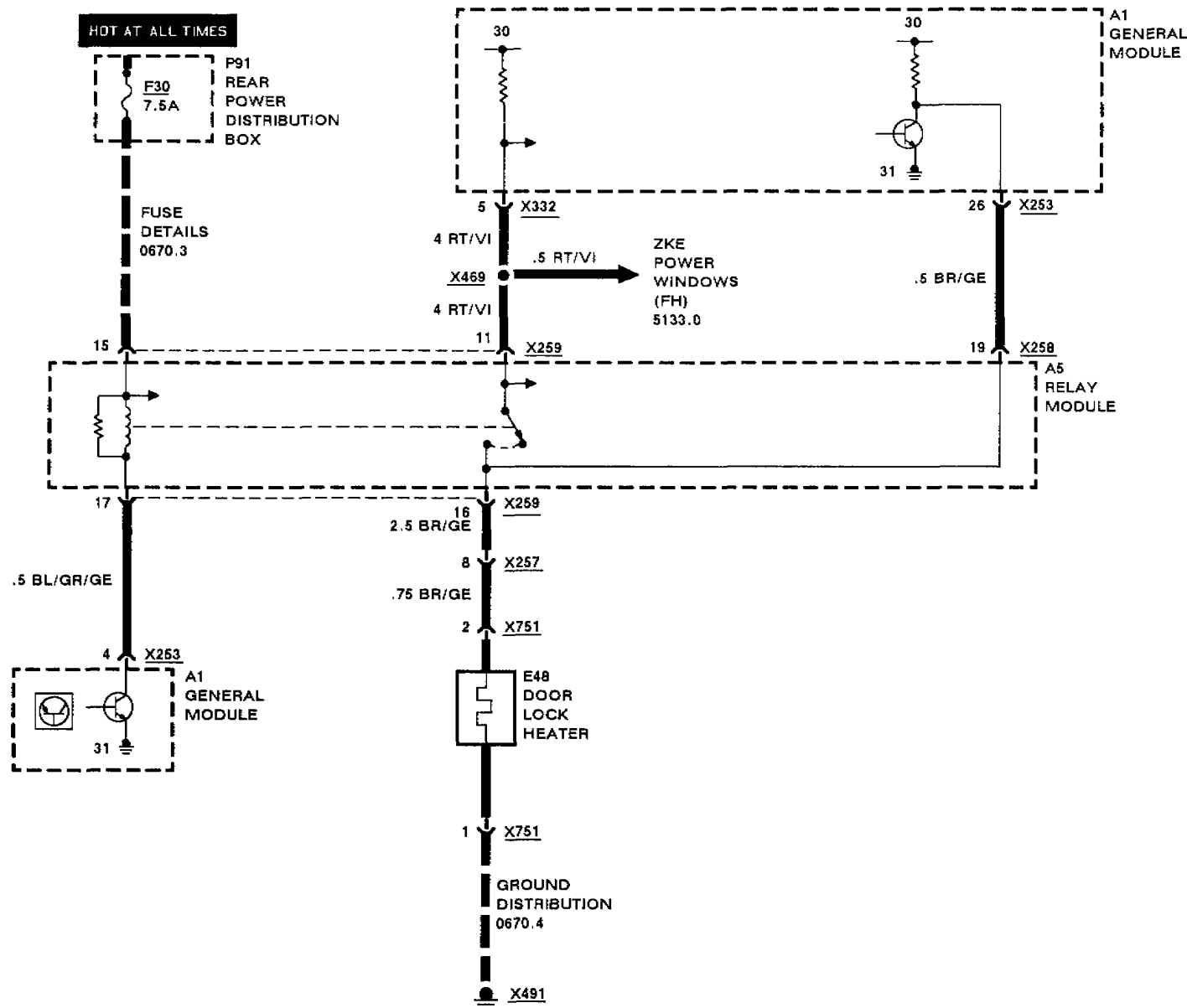
## INPUT DETAILS





# ZKE DOOR LOCK HEATING (TSH)

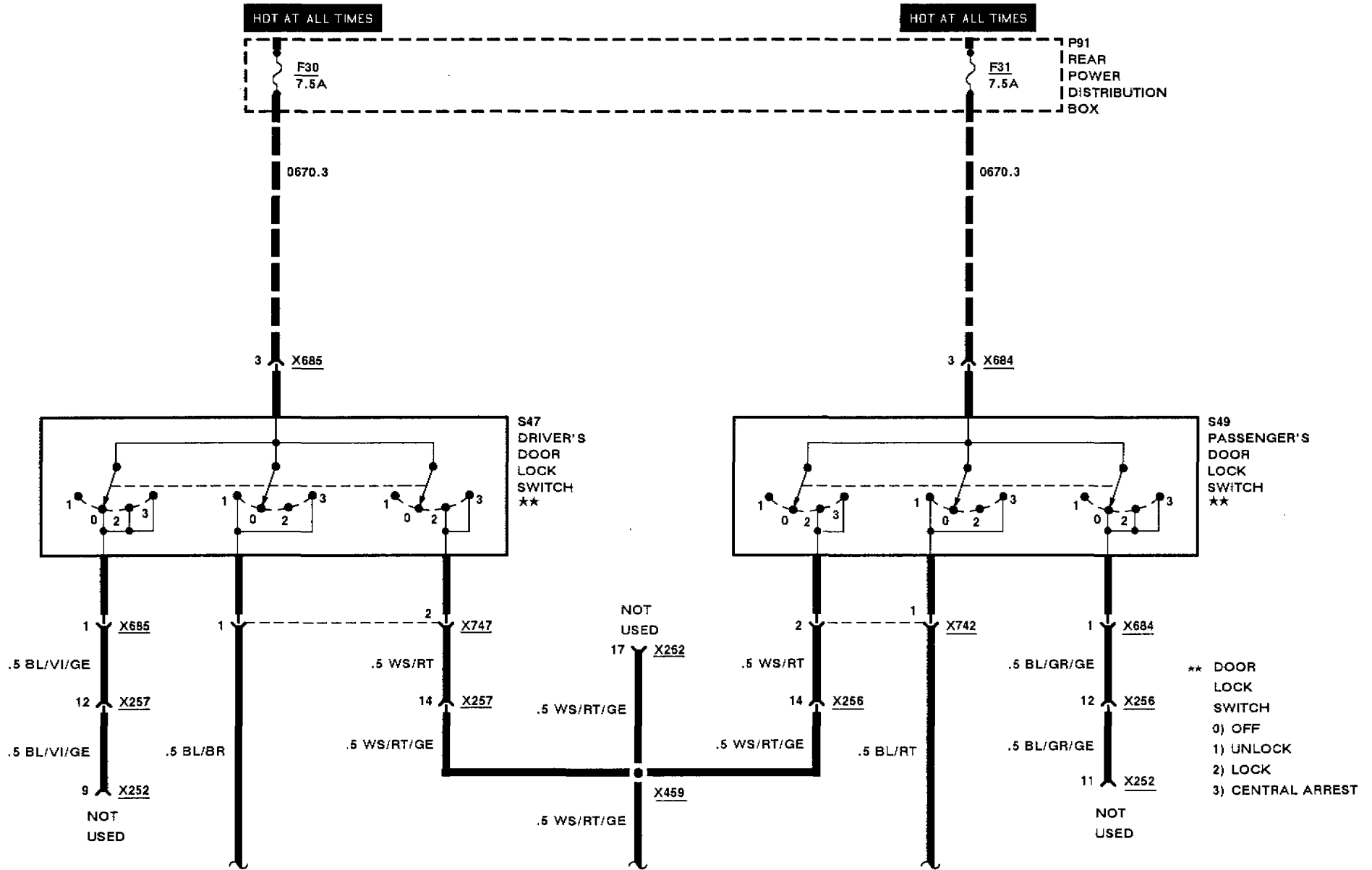
## OUTPUT DETAILS



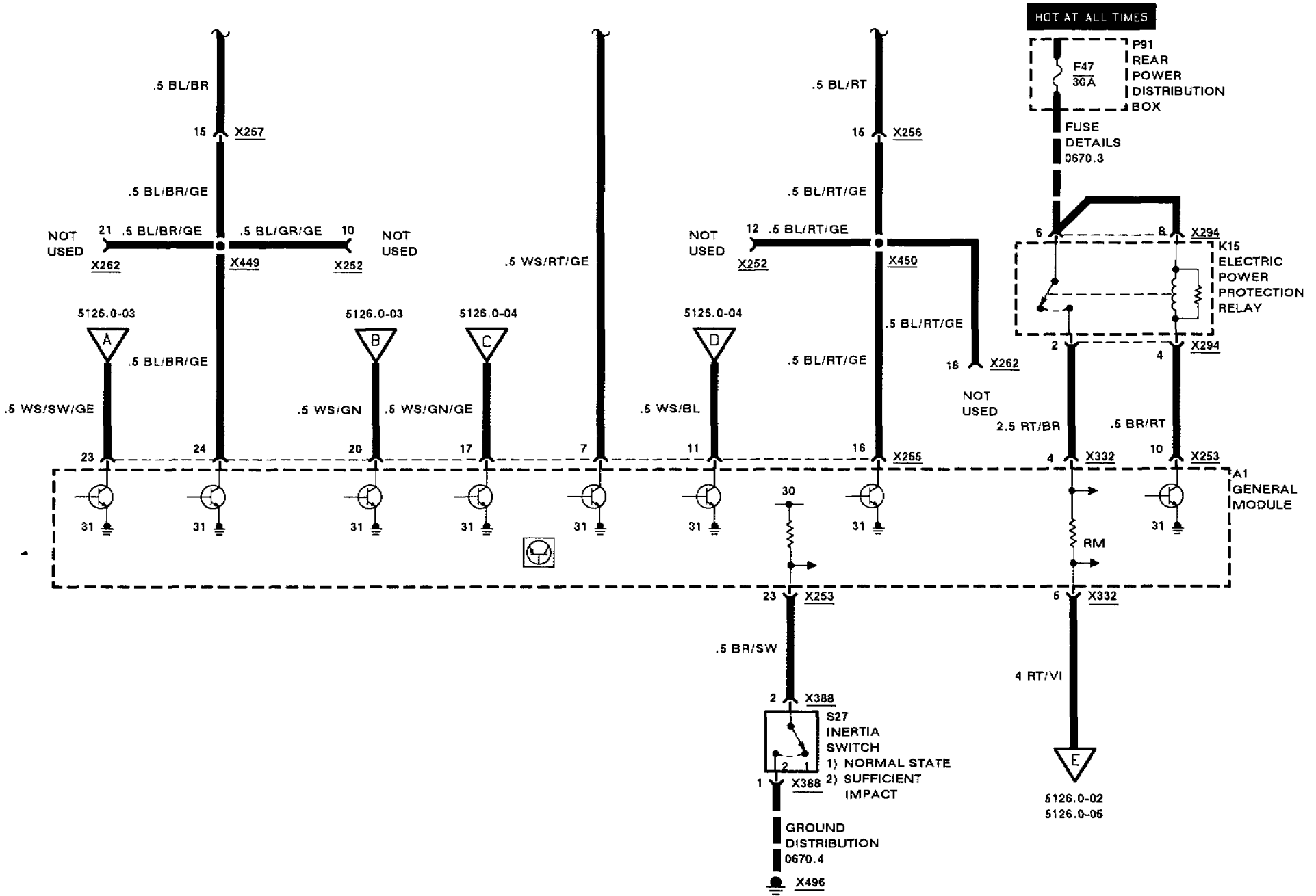


# ZKE CENTRAL LOCKING (ZV)

## INPUT DETAILS



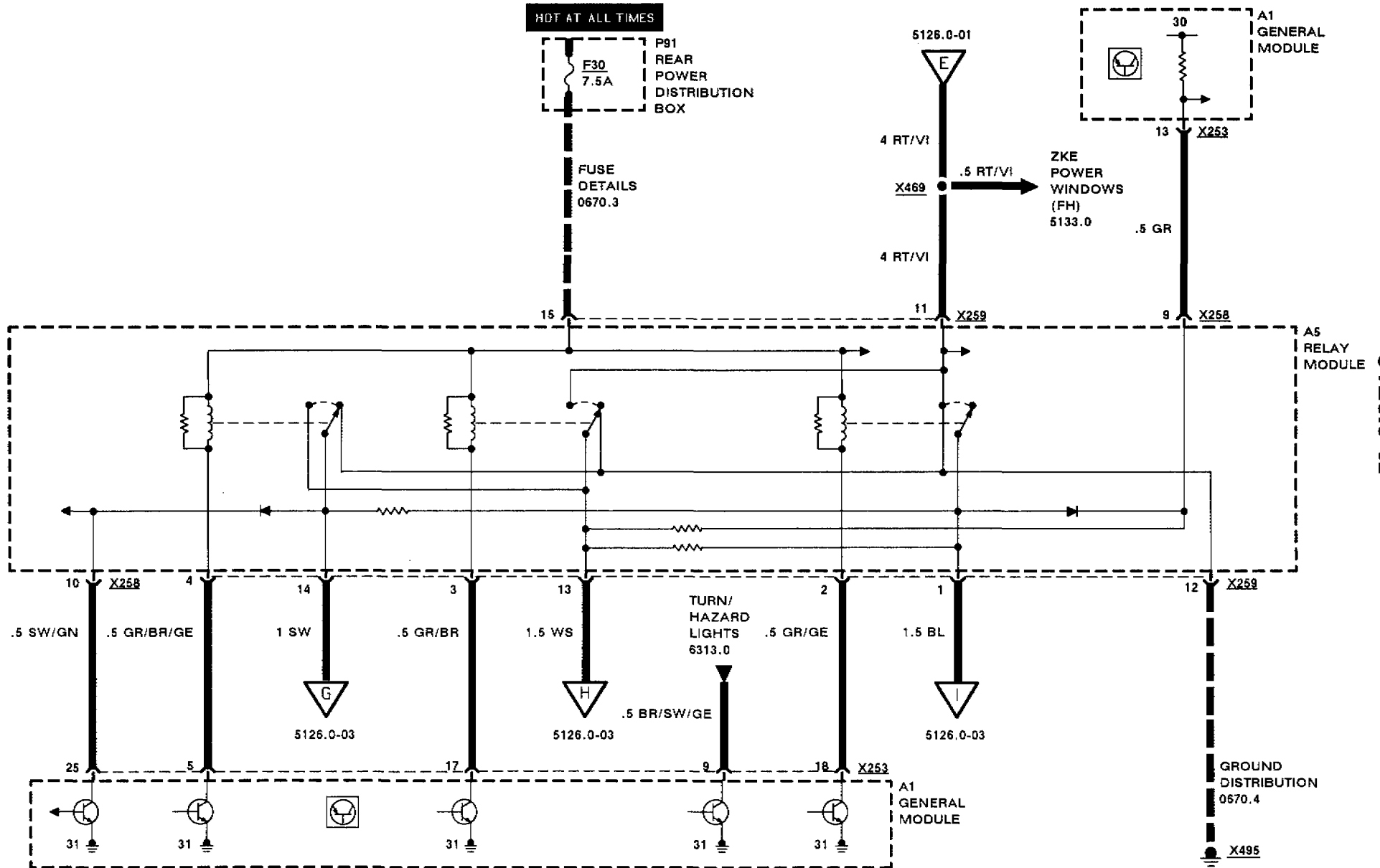






# ZKE CENTRAL LOCKING (ZV)

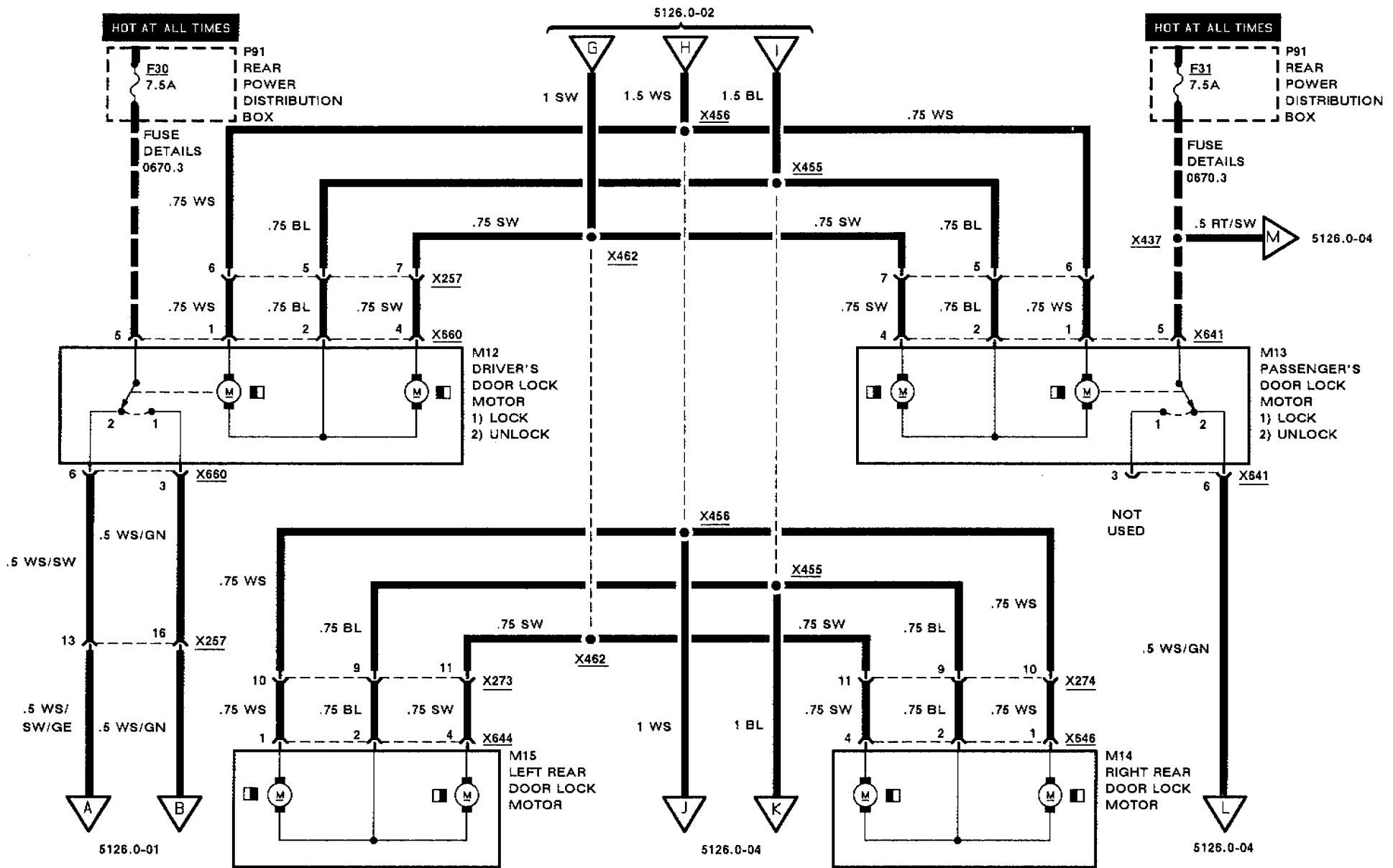
## OUTPUT DETAILS





# ZKE CENTRAL LOCKING (ZV)

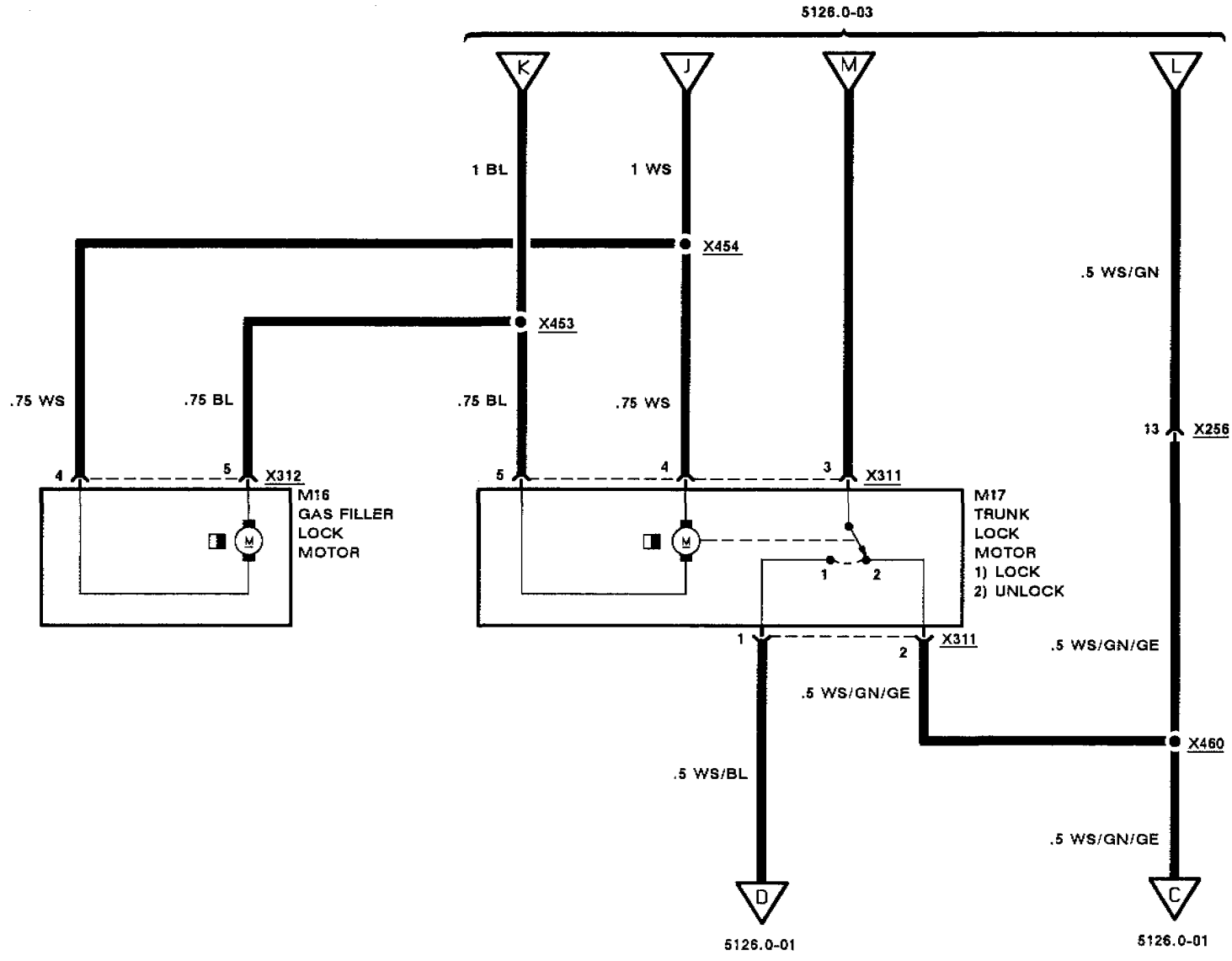
## OUTPUT DETAILS





# ZKE CENTRAL LOCKING (ZV)

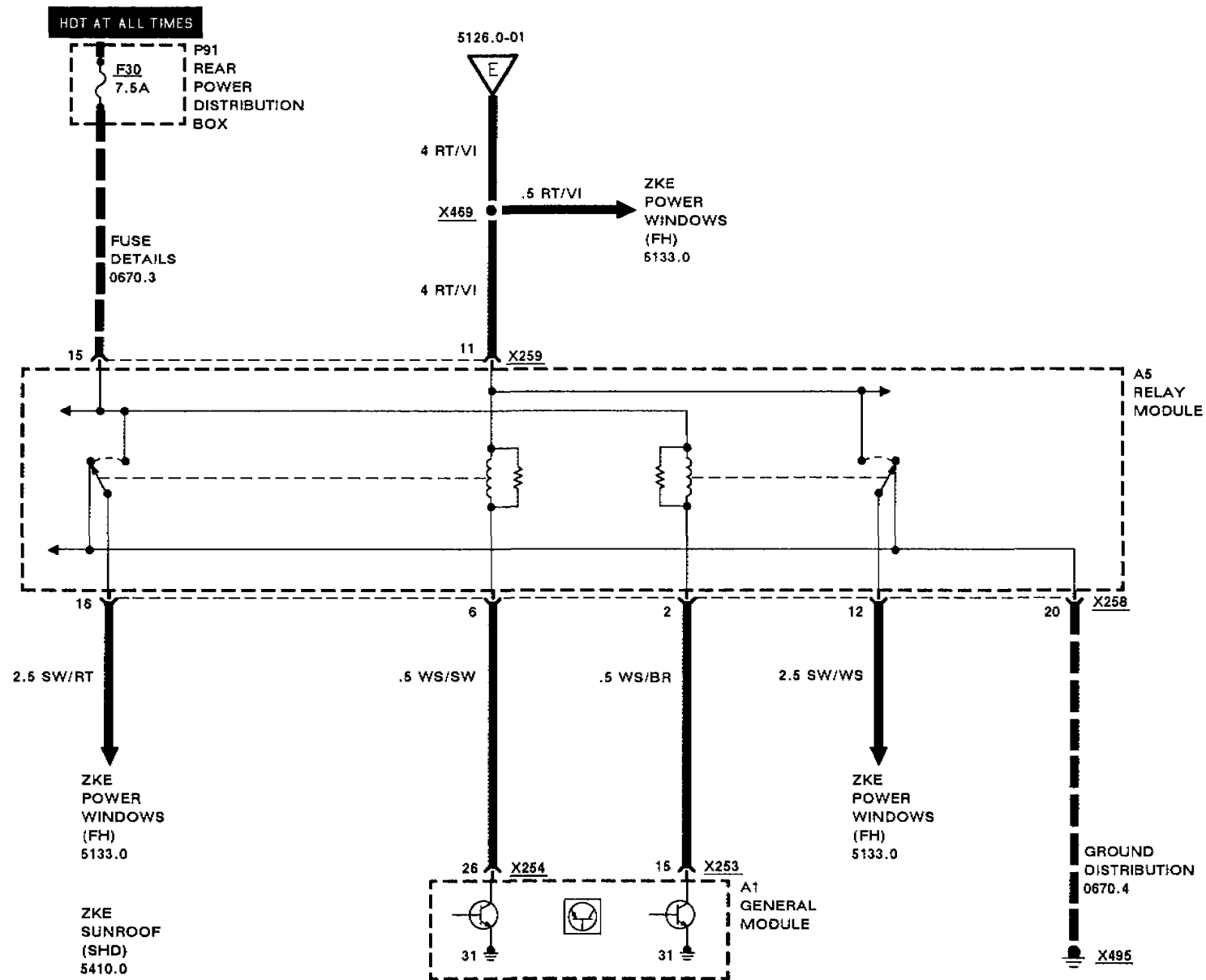
## OUTPUT DETAILS





# ZKE CENTRAL LOCKING (ZV)

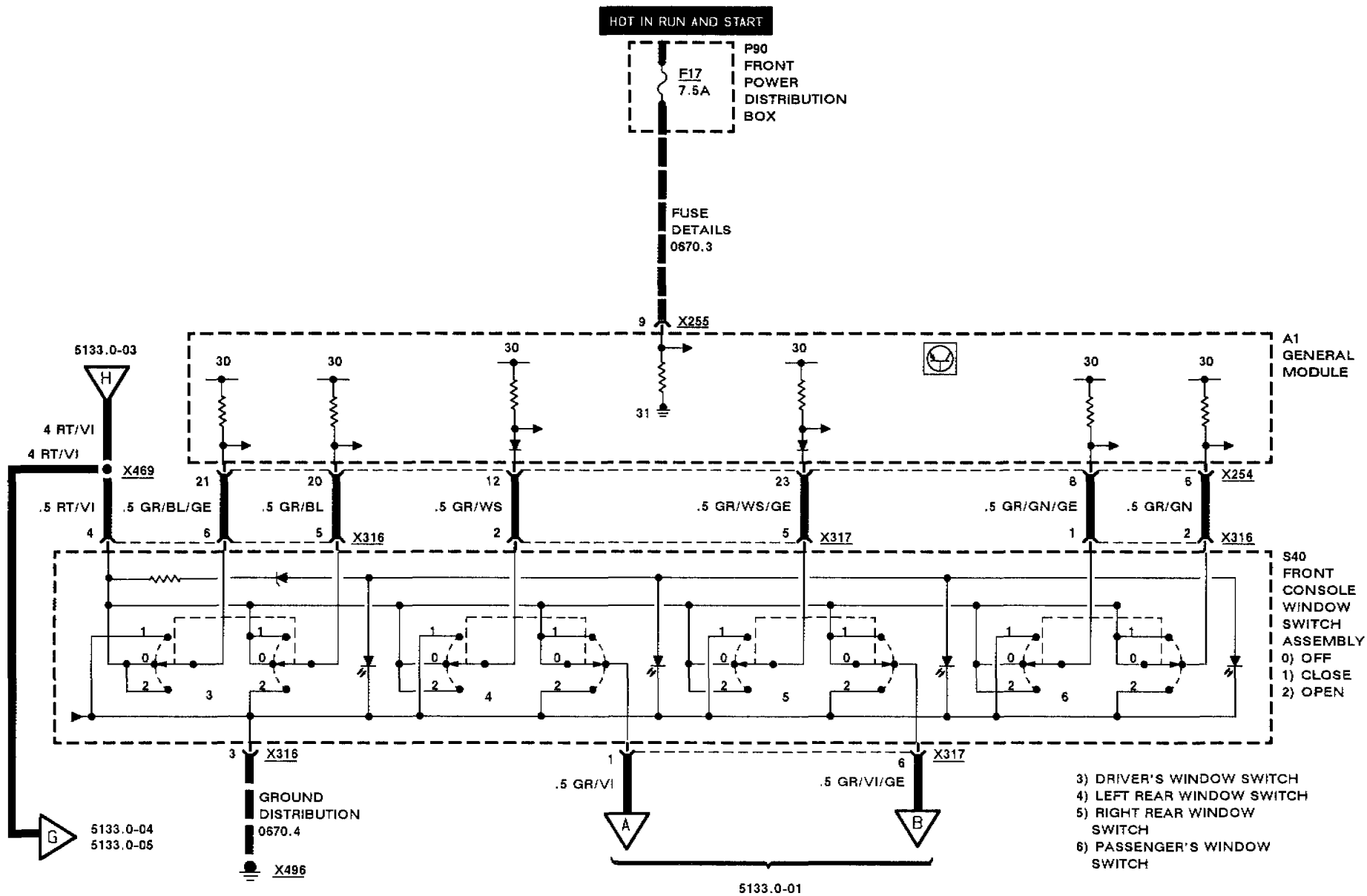
## OUTPUT DETAILS





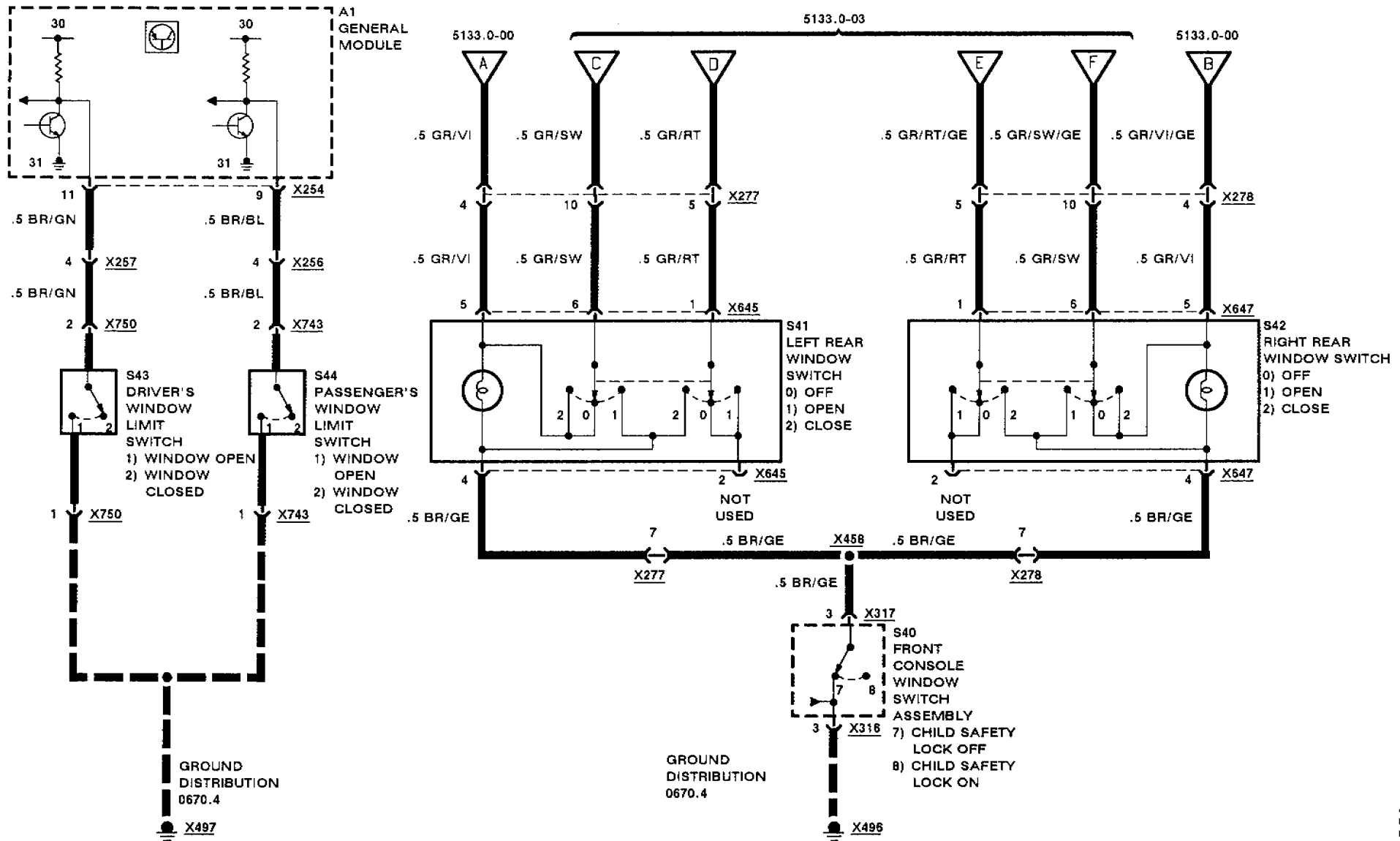
# ZKE POWER WINDOWS (FH)

## INPUT DETAILS



# ZKE POWER WINDOWS (FH)

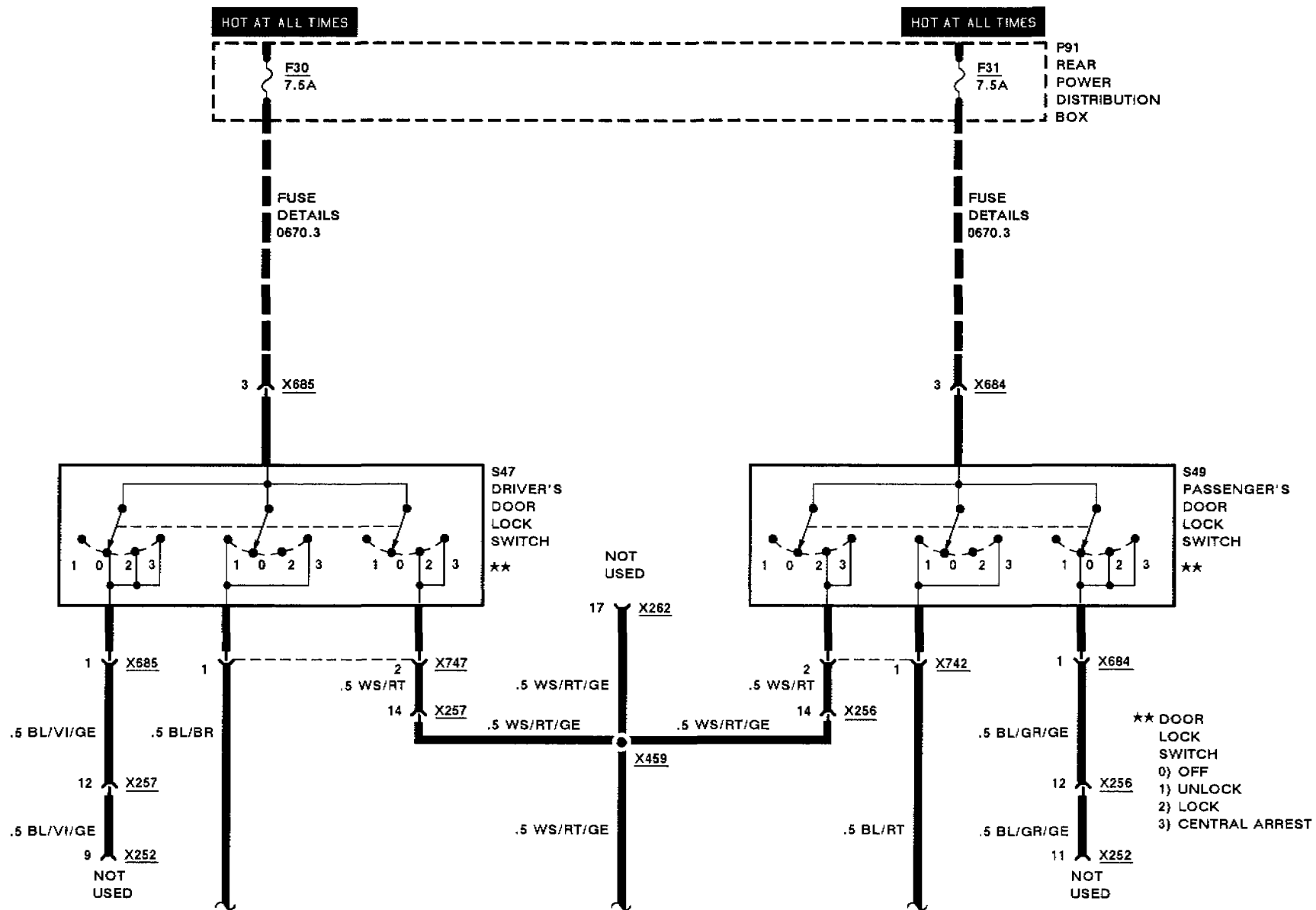
## INPUT DETAILS



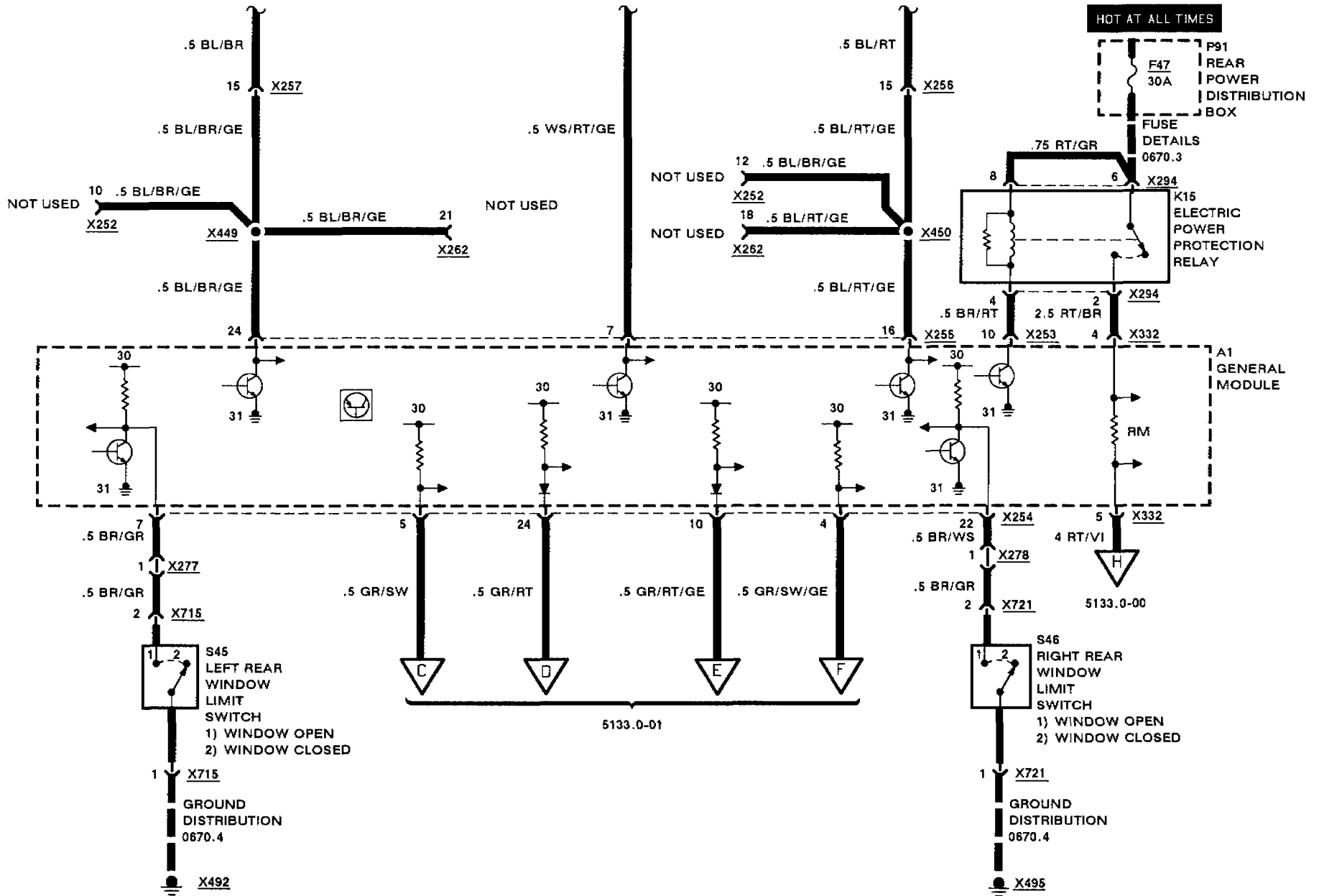


# ZKE POWER WINDOWS (FH)

## INPUT DETAILS



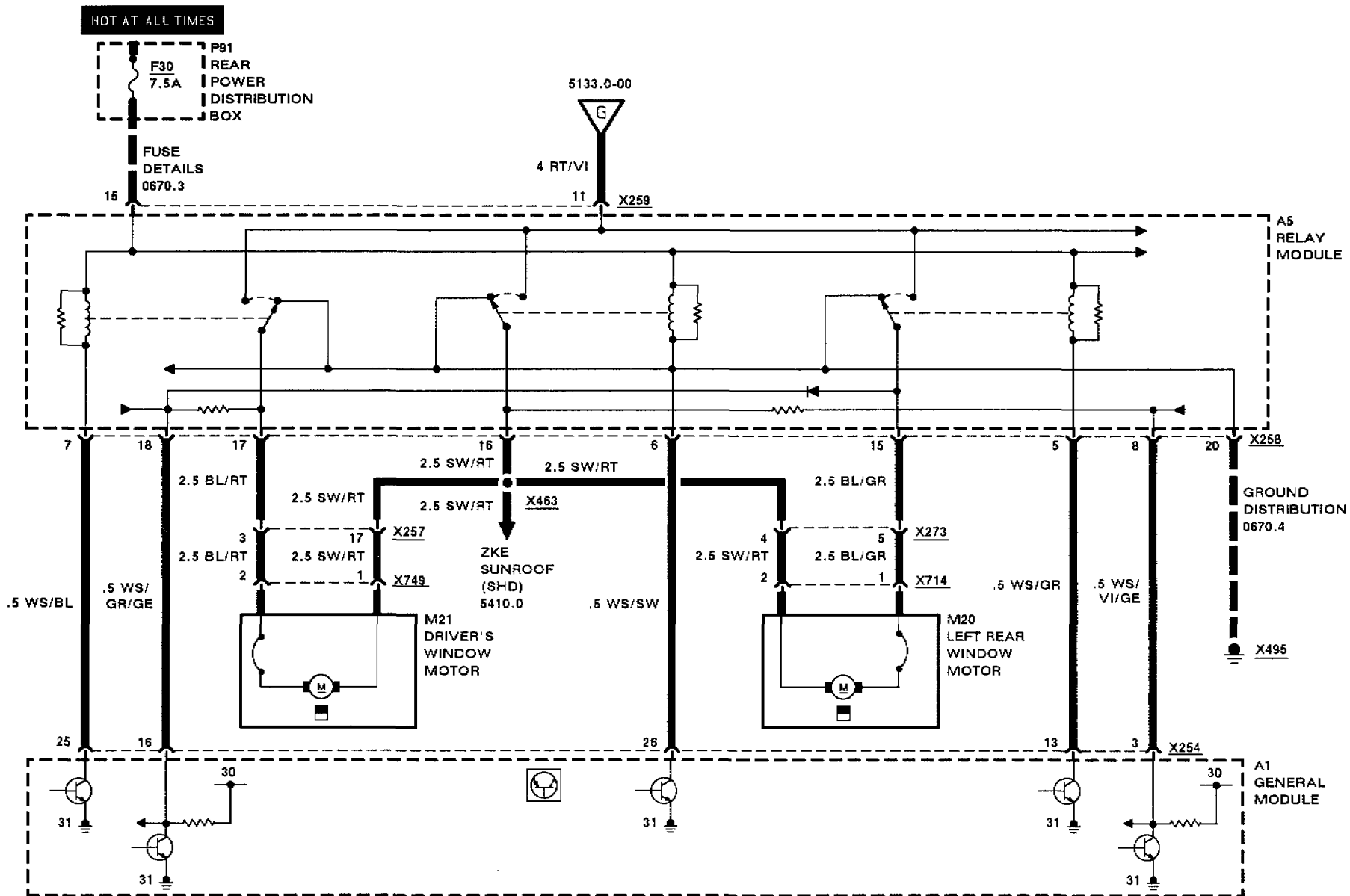






# ZKE POWER WINDOWS (FH)

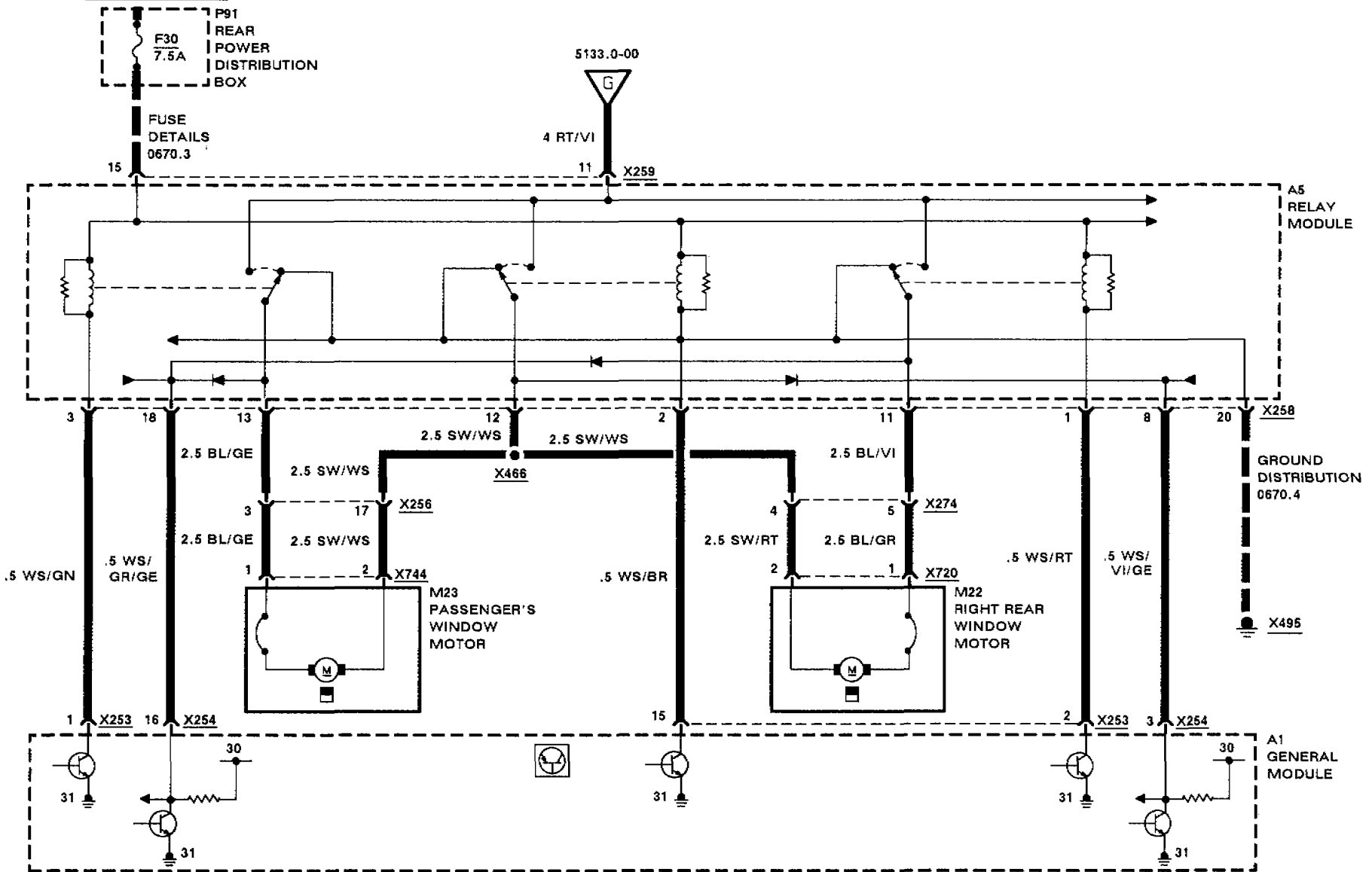
## LEFT SIDE OUTPUT DETAILS





# ZKE POWER WINDOWS (FH) RIGHT SIDE OUTPUT DETAILS

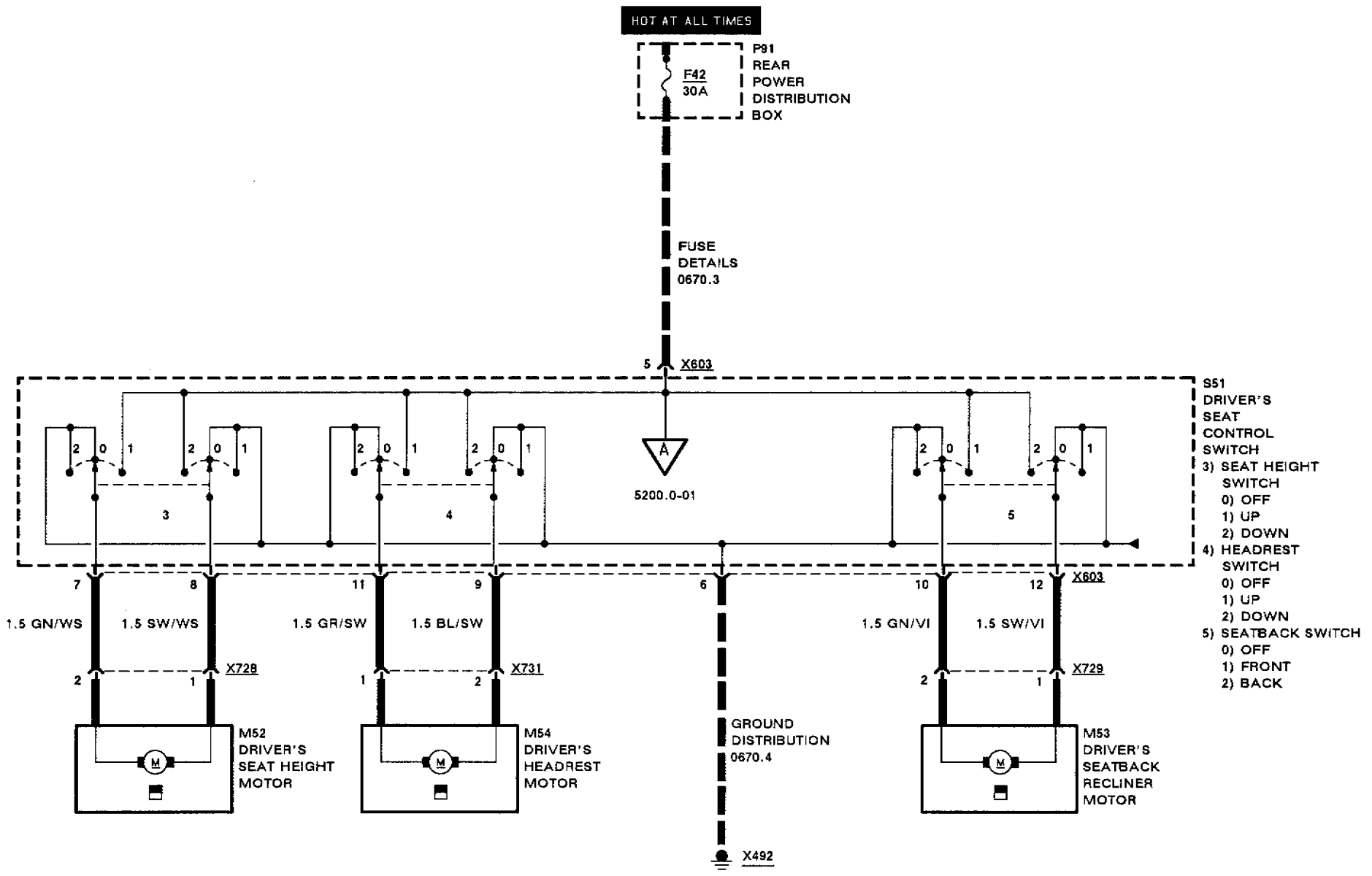
HOT AT ALL TIMES





# POWER SEATS

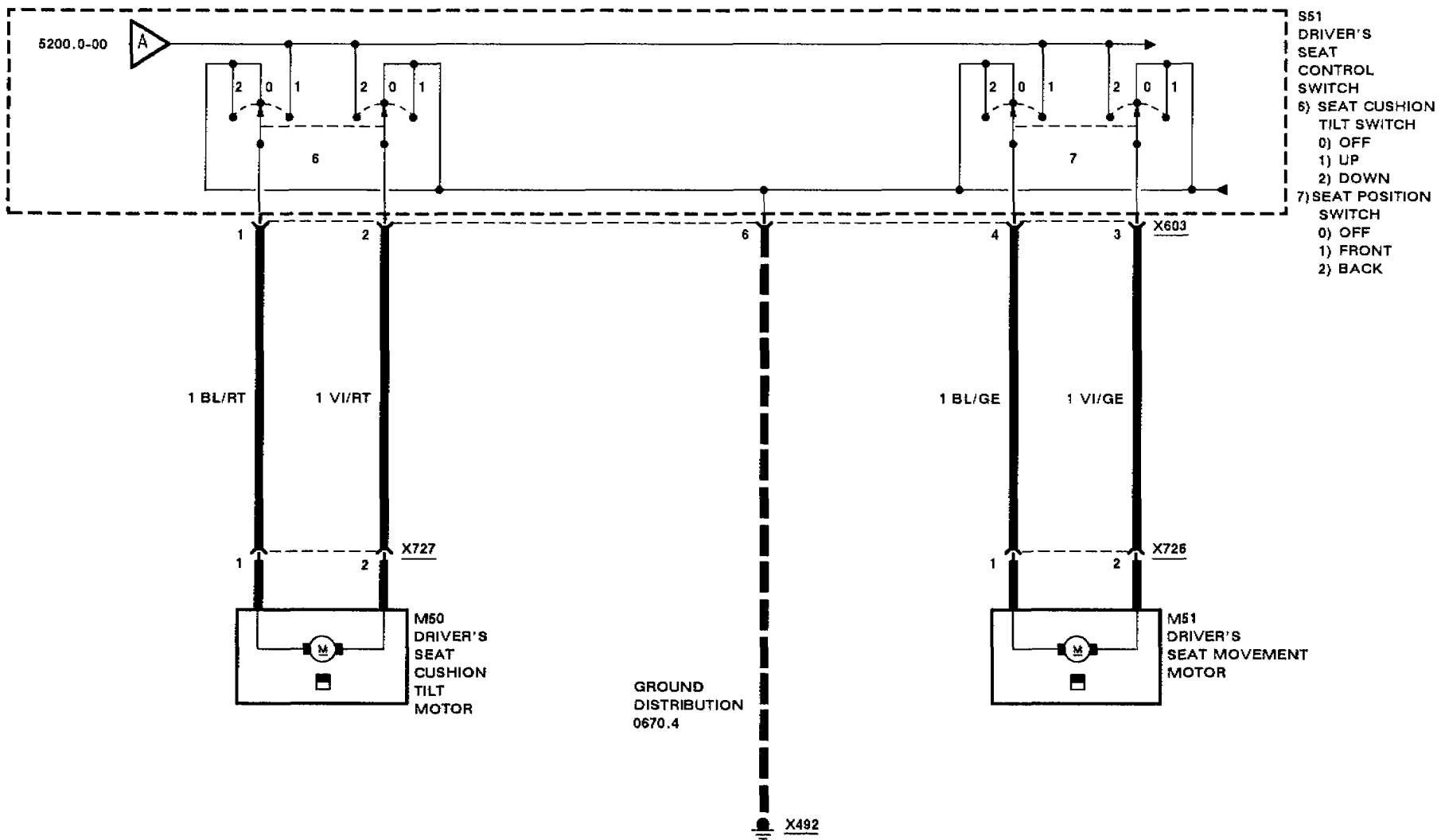
## DRIVER'S SEAT





# POWER SEATS

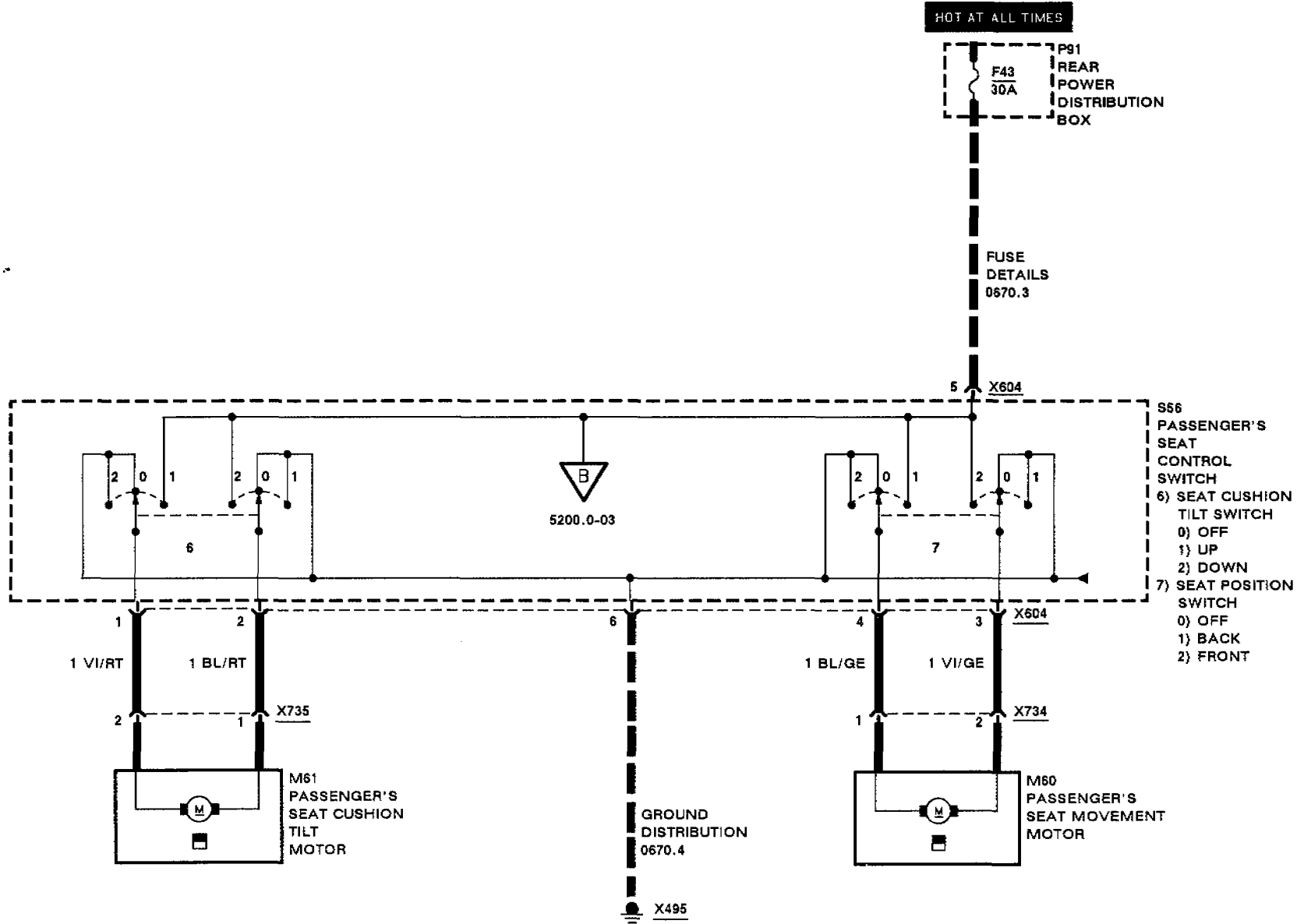
## DRIVER'S SEAT





# POWER SEATS

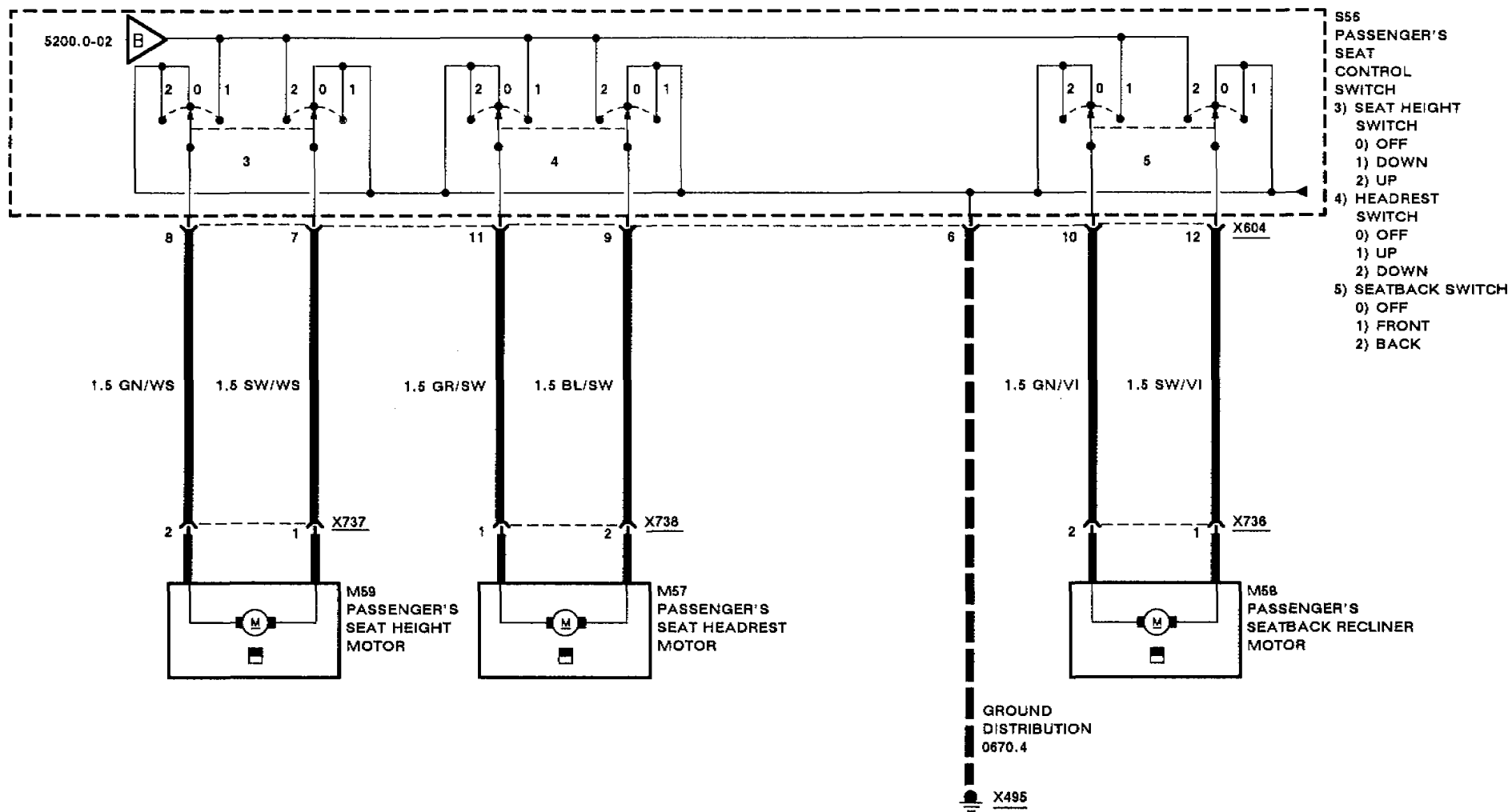
## PASSENGER'S SEAT





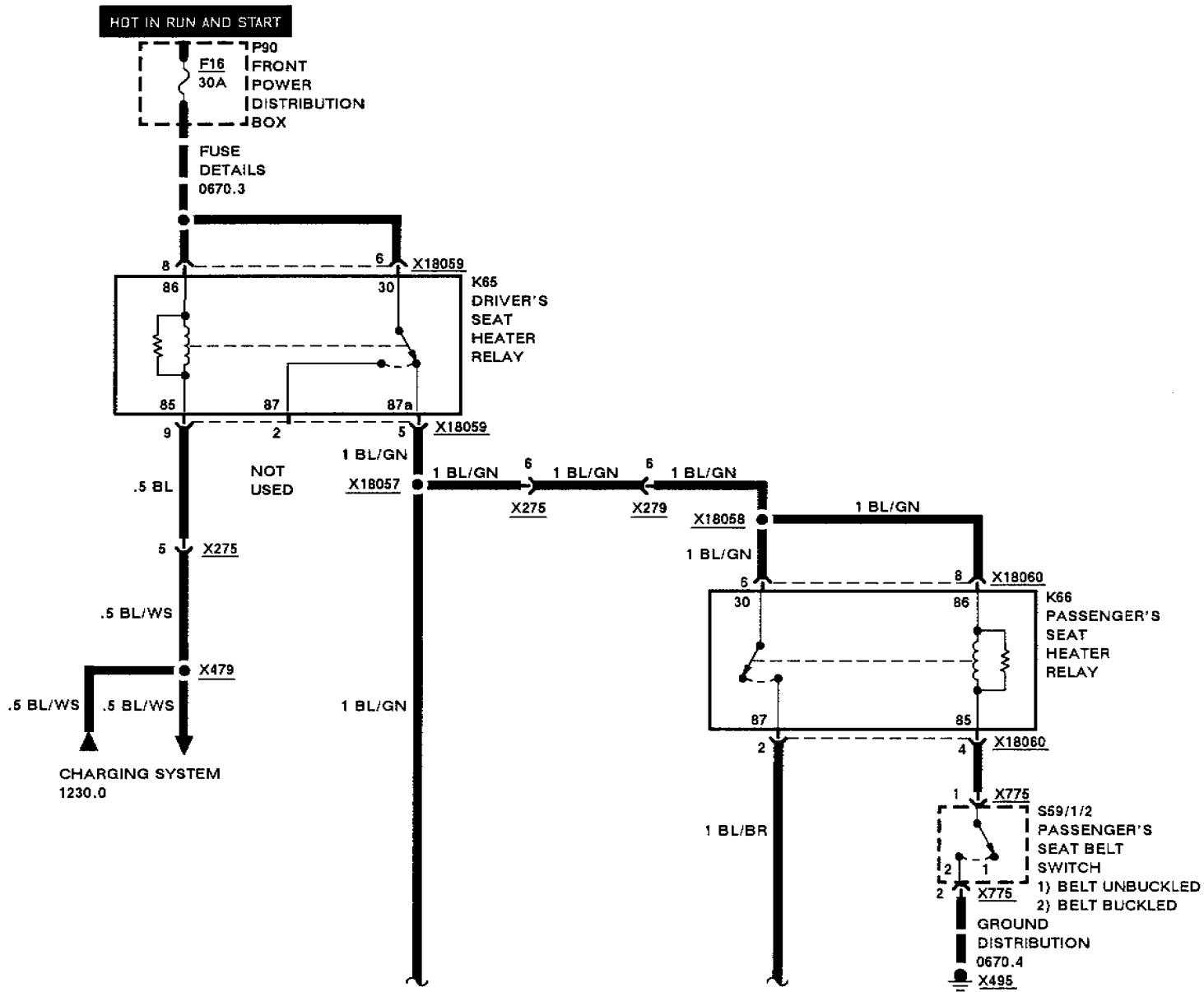
# POWER SEATS

## PASSENGER'S SEAT

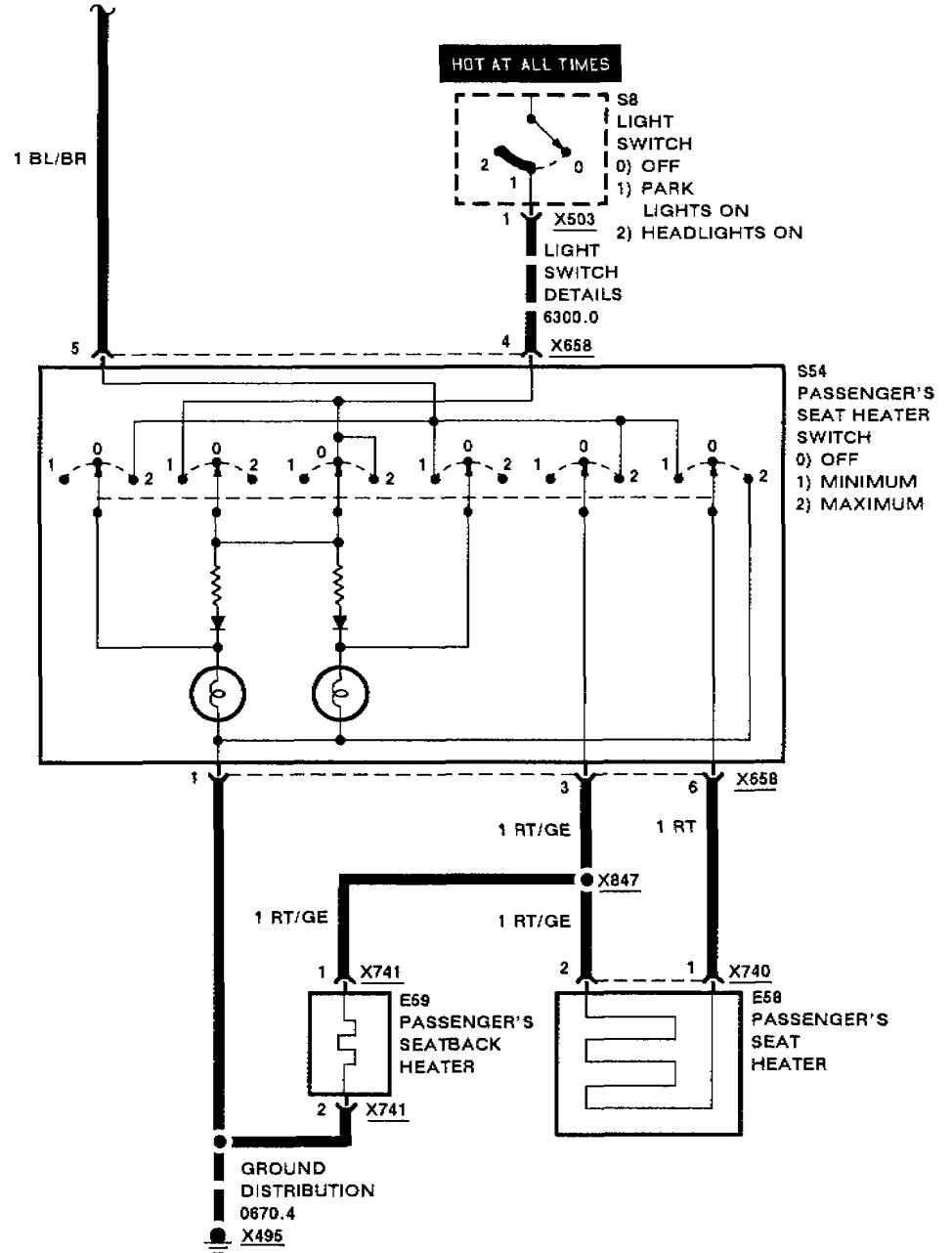
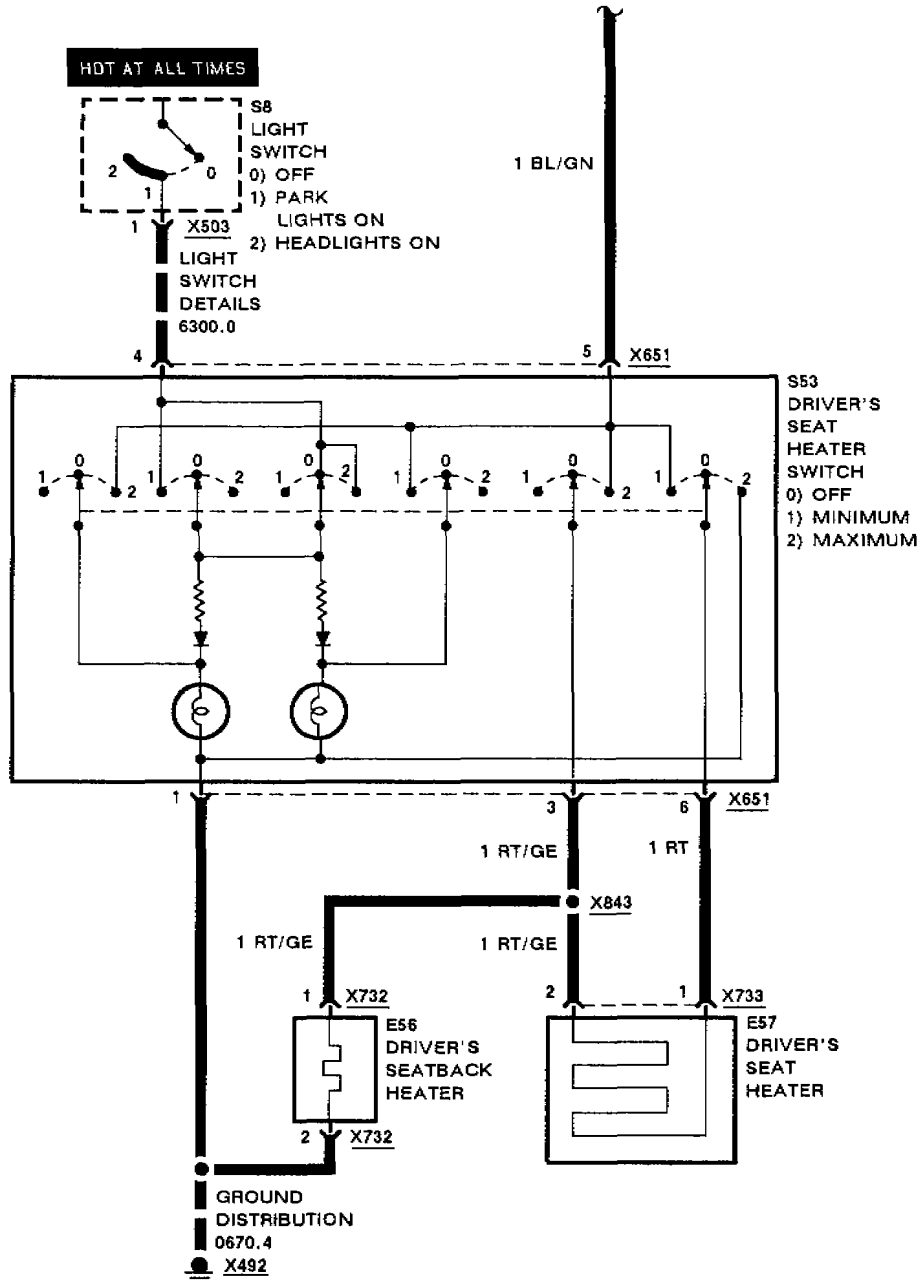




# HEATED SEATS

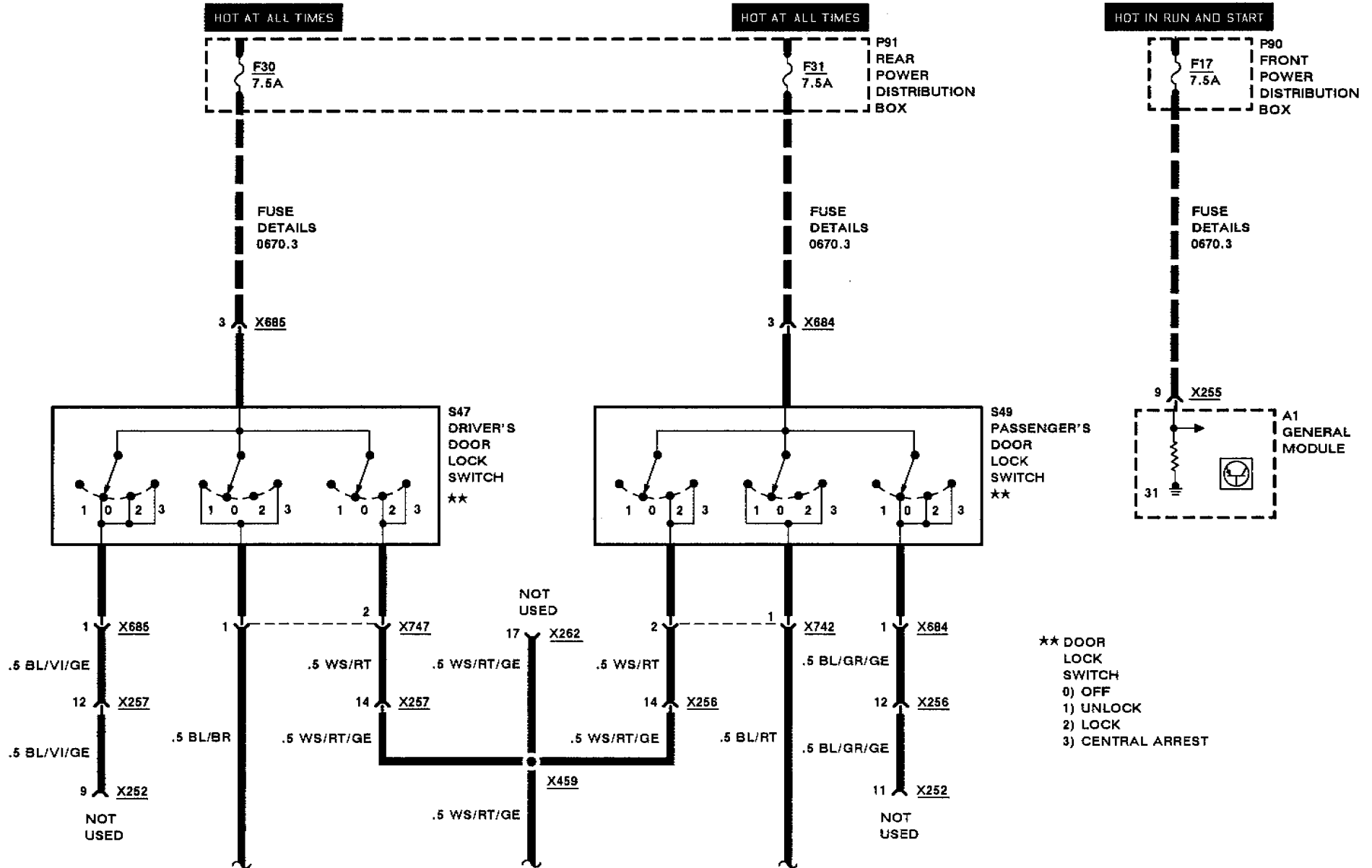




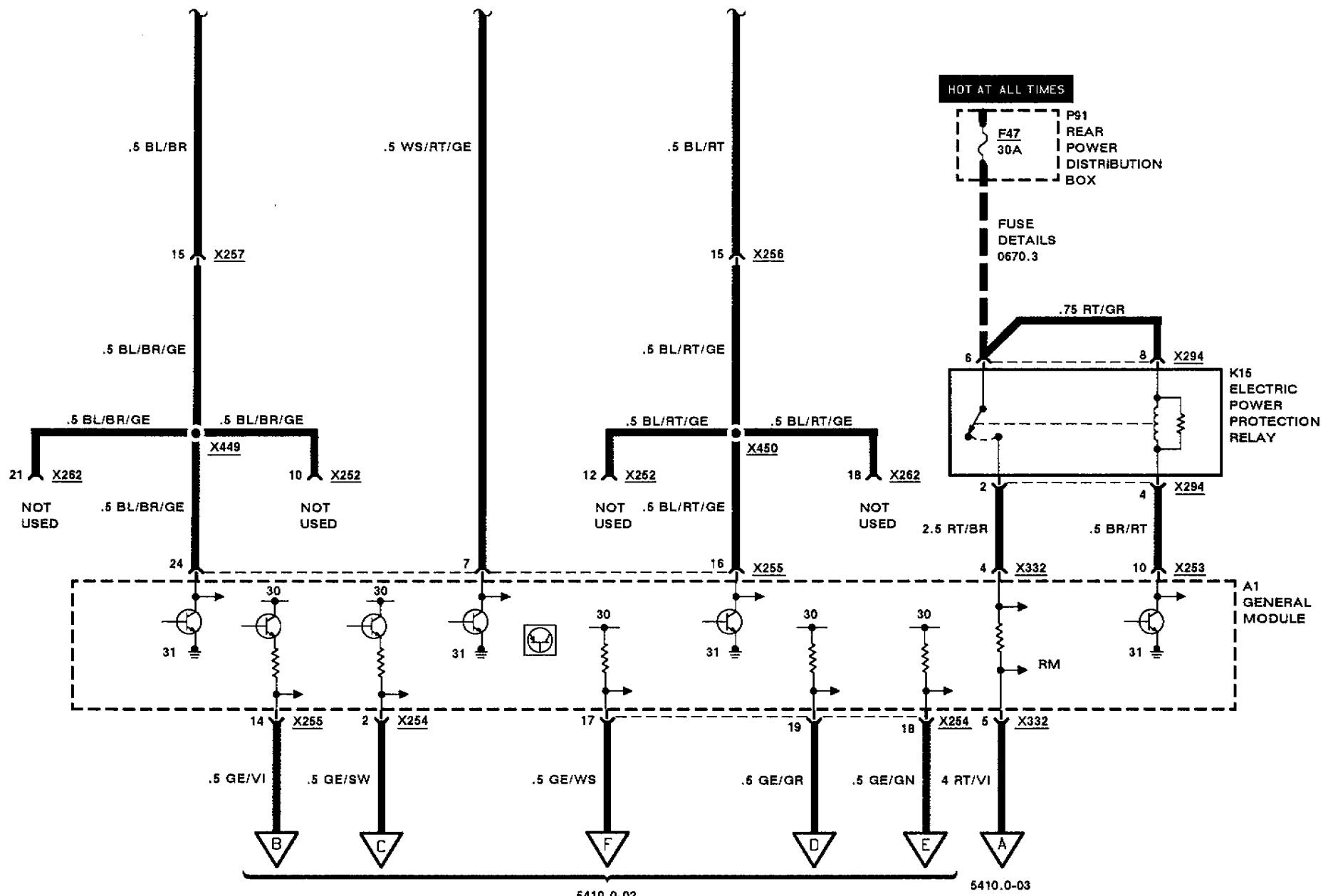


**ZKE SUNROOF (SHD)**

**INPUT DETAILS**



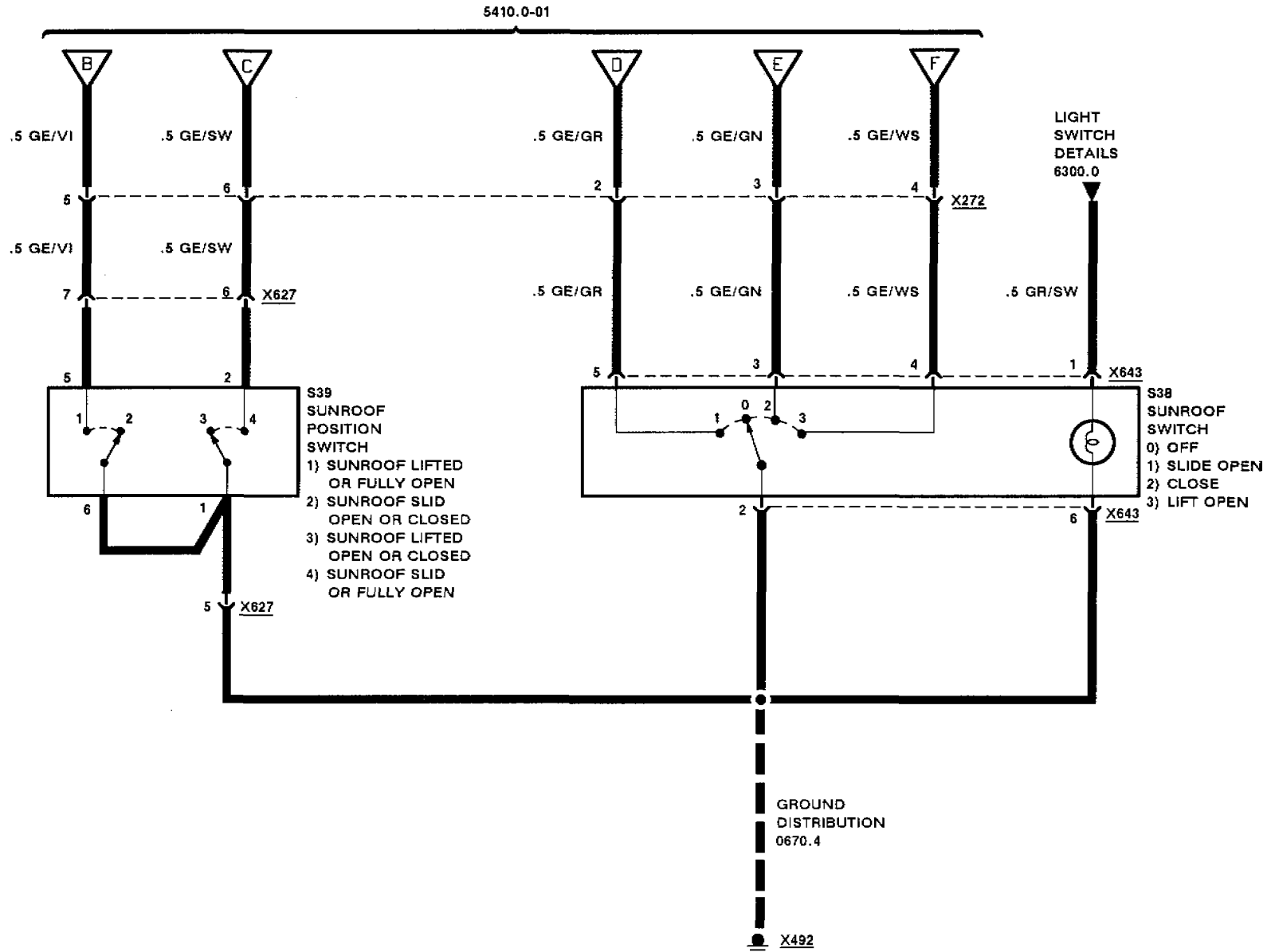
★★ DOOR LOCK SWITCH  
 0) OFF  
 1) UNLOCK  
 2) LOCK  
 3) CENTRAL ARREST





# ZKE SUNROOF (SHD)

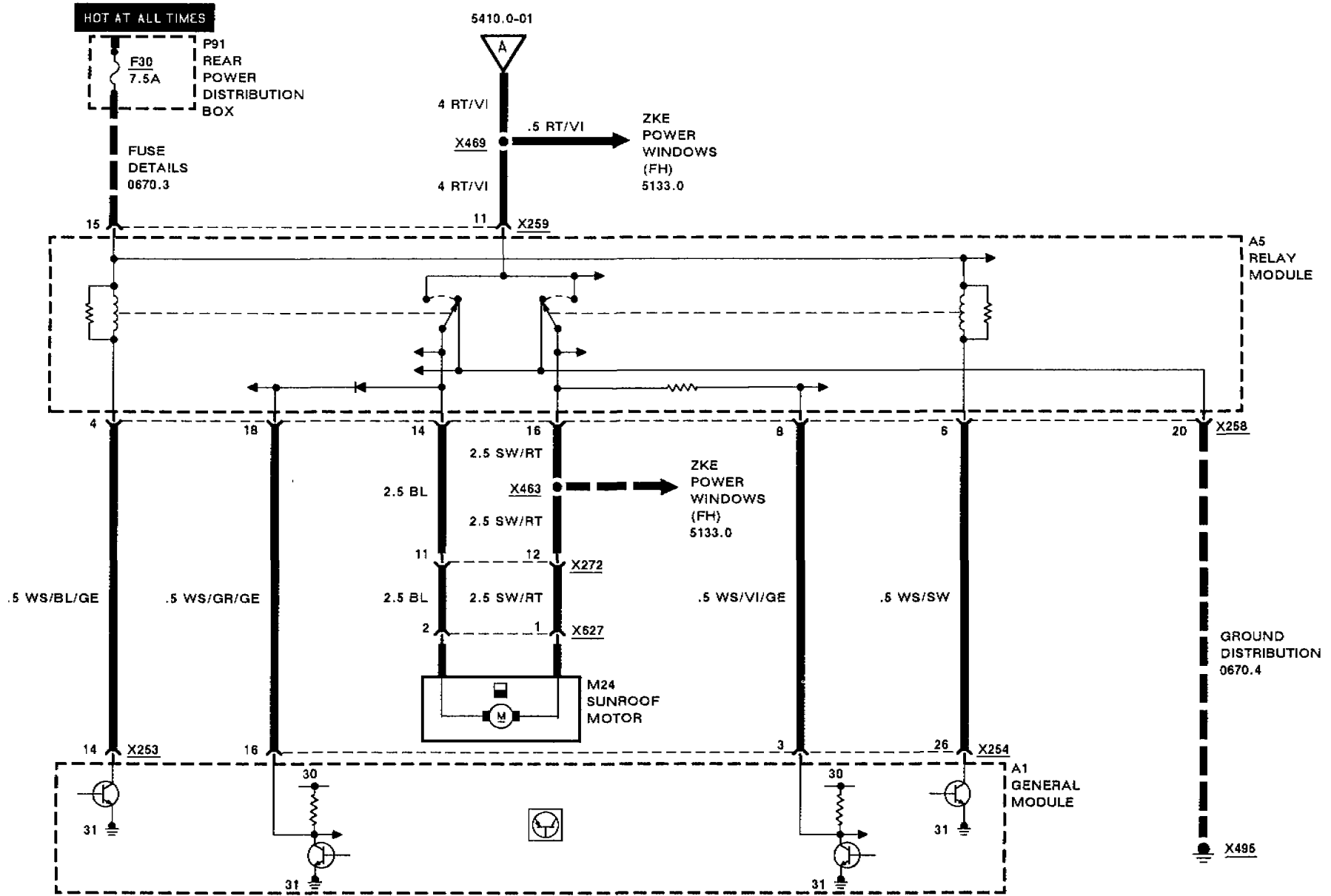
## INPUT DETAILS





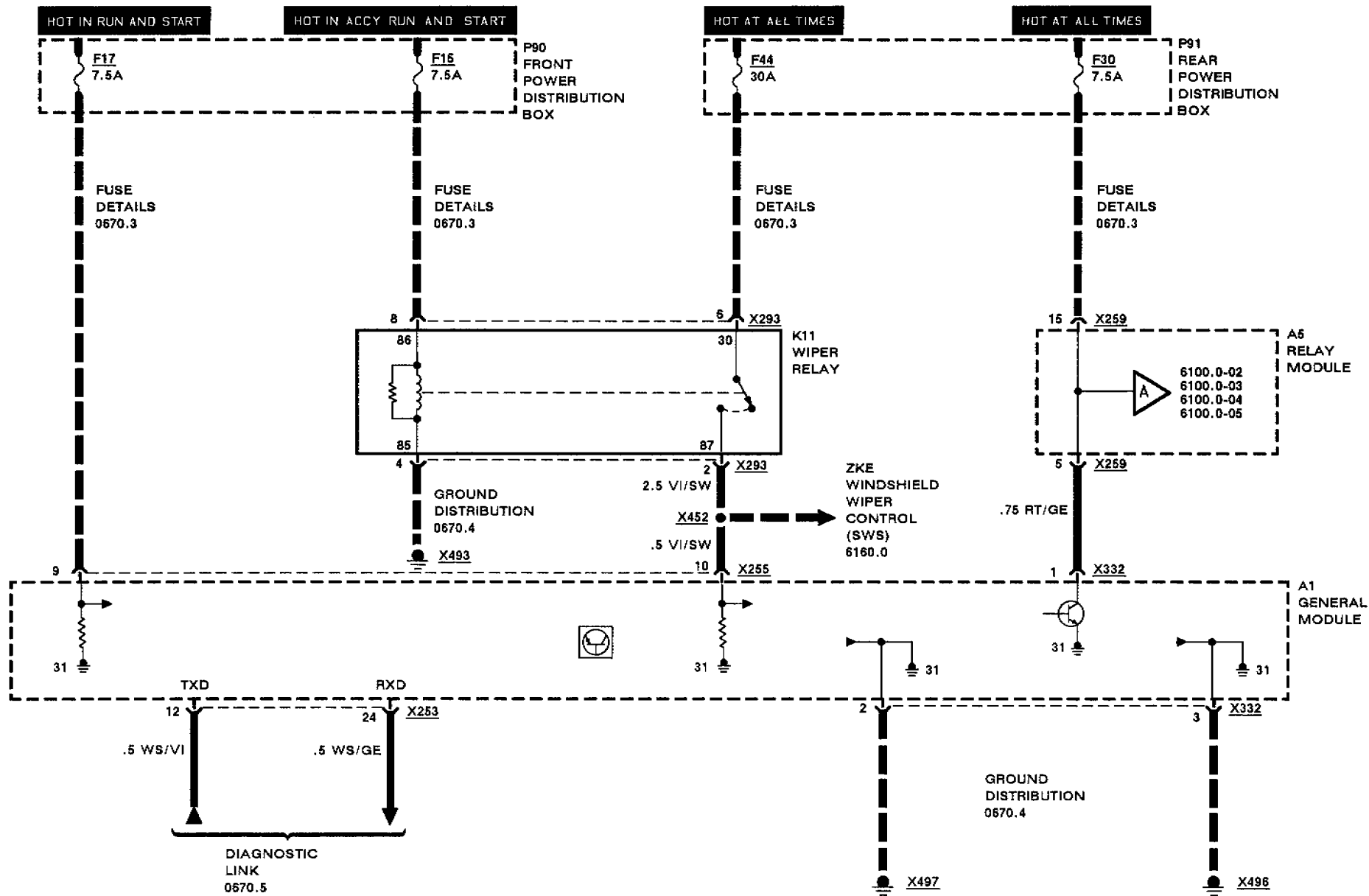
# ZKE SUNROOF (SHD)

## OUTPUT DETAILS





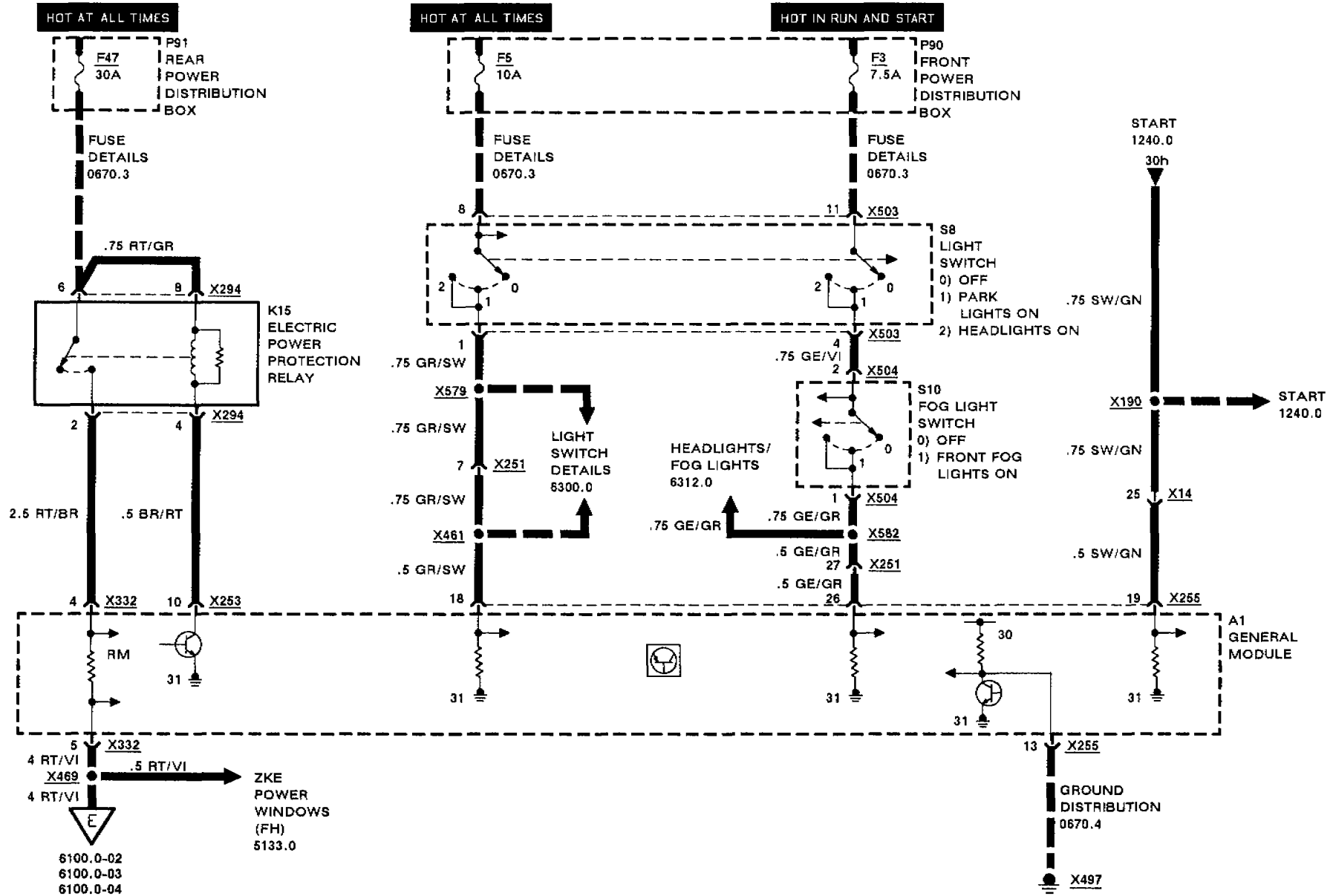
# CENTRAL BODY ELECTRONICS (ZKE) GENERAL MODULE





# CENTRAL BODY ELECTRONICS (ZKE)

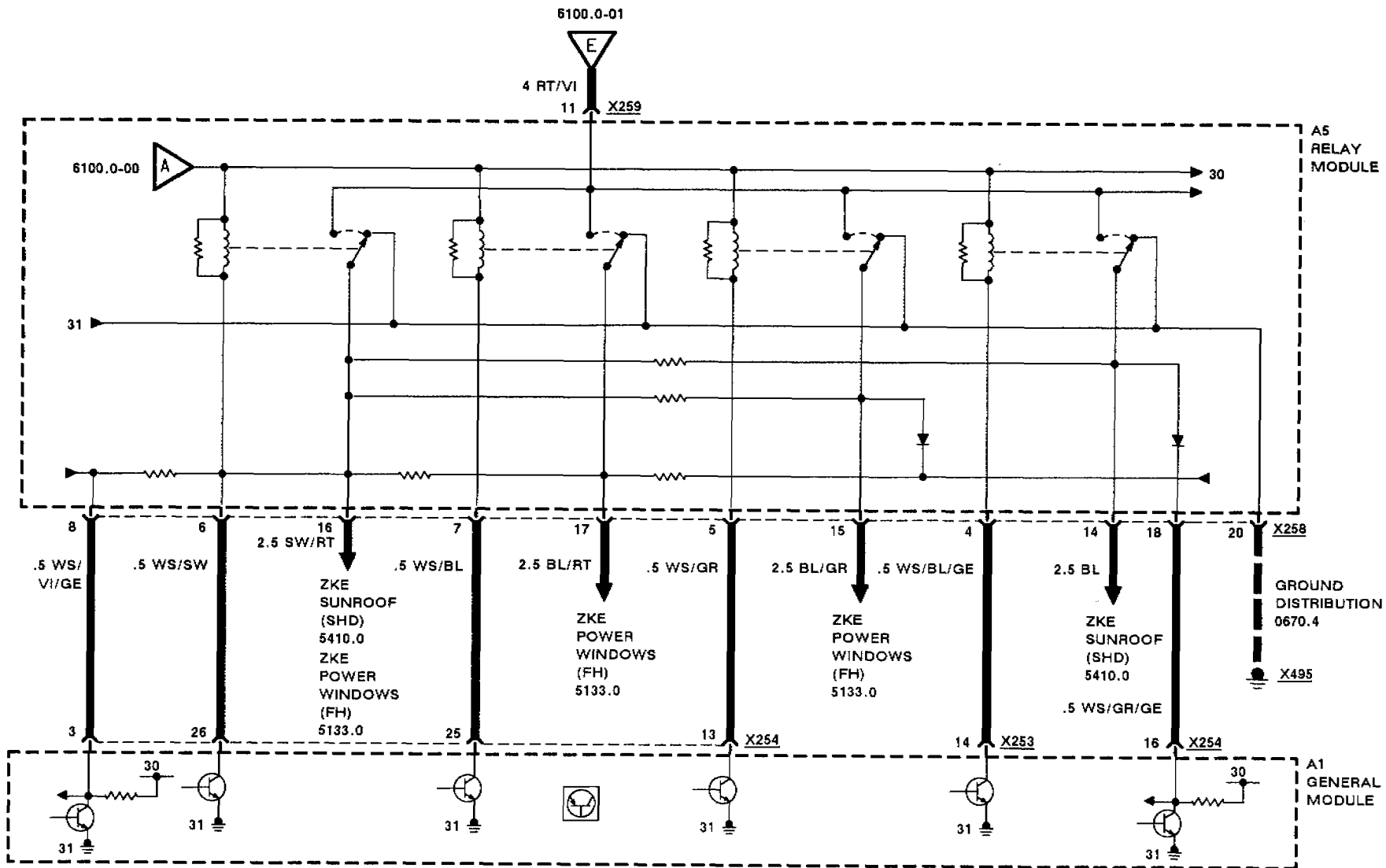
## GENERAL MODULE





# CENTRAL BODY ELECTRONICS (ZKE)

## RELAY MODULE

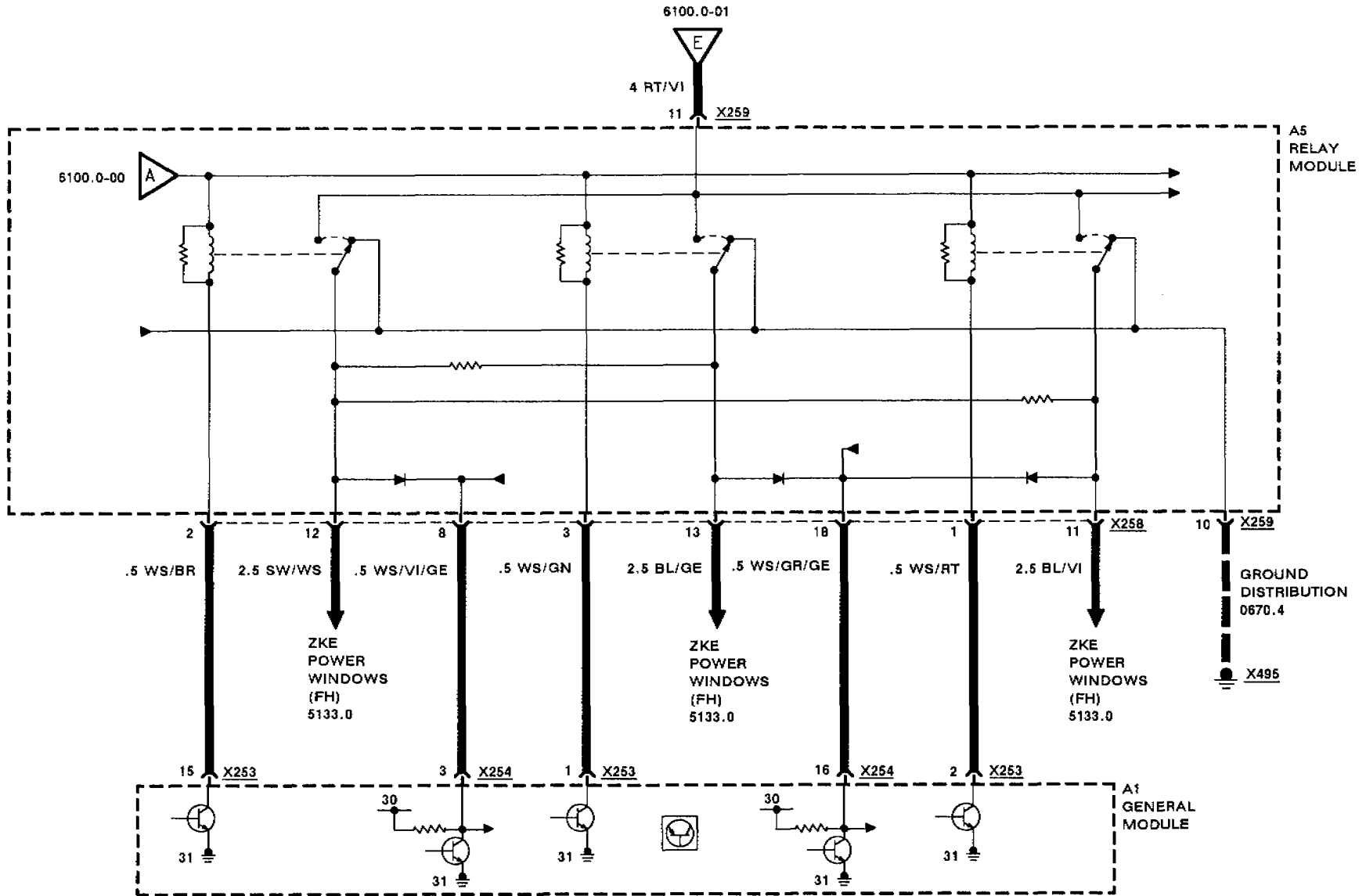






# CENTRAL BODY ELECTRONICS (ZKE)

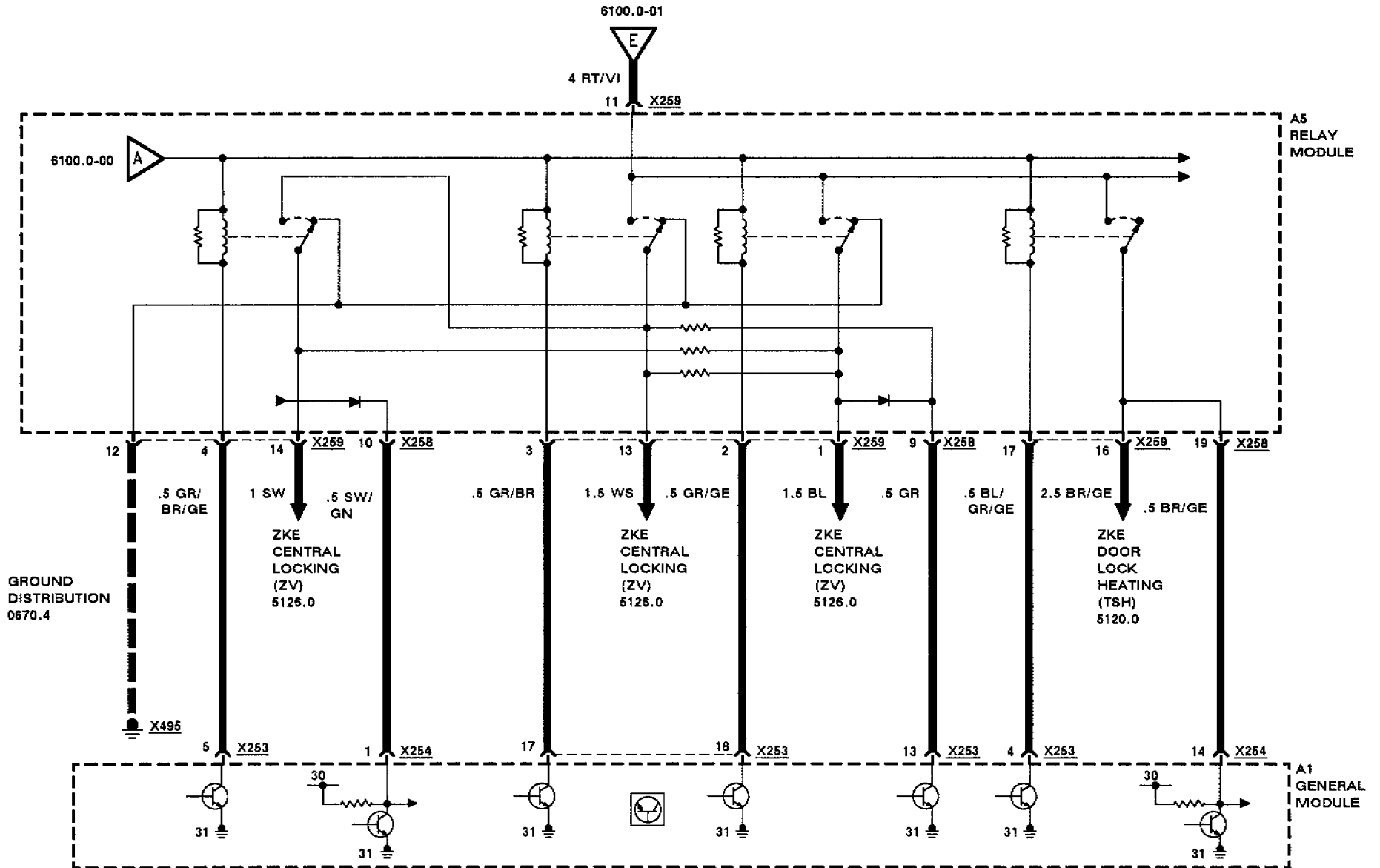
## RELAY MODULE





# CENTRAL BODY ELECTRONICS (ZKE)

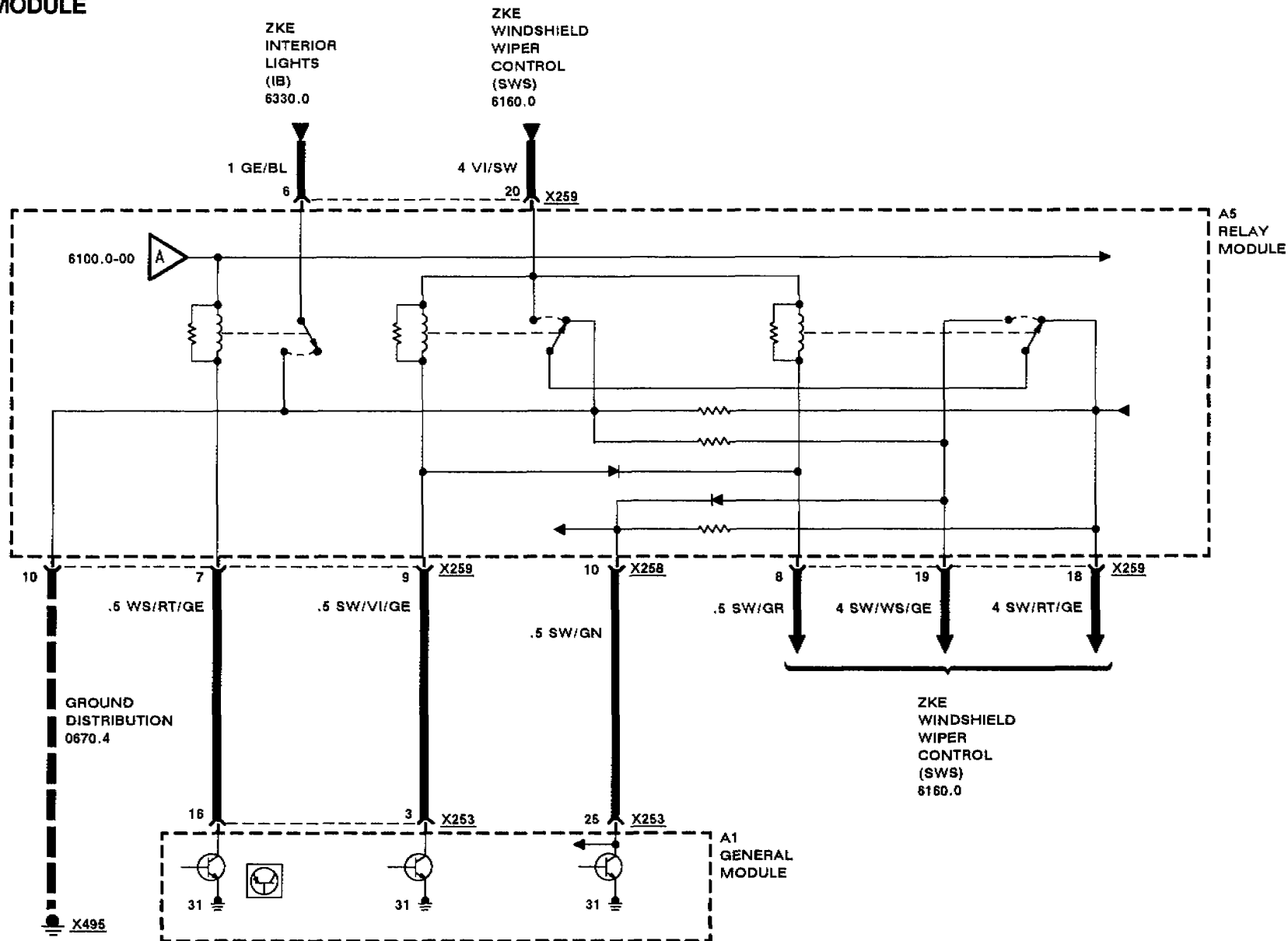
## RELAY MODULE





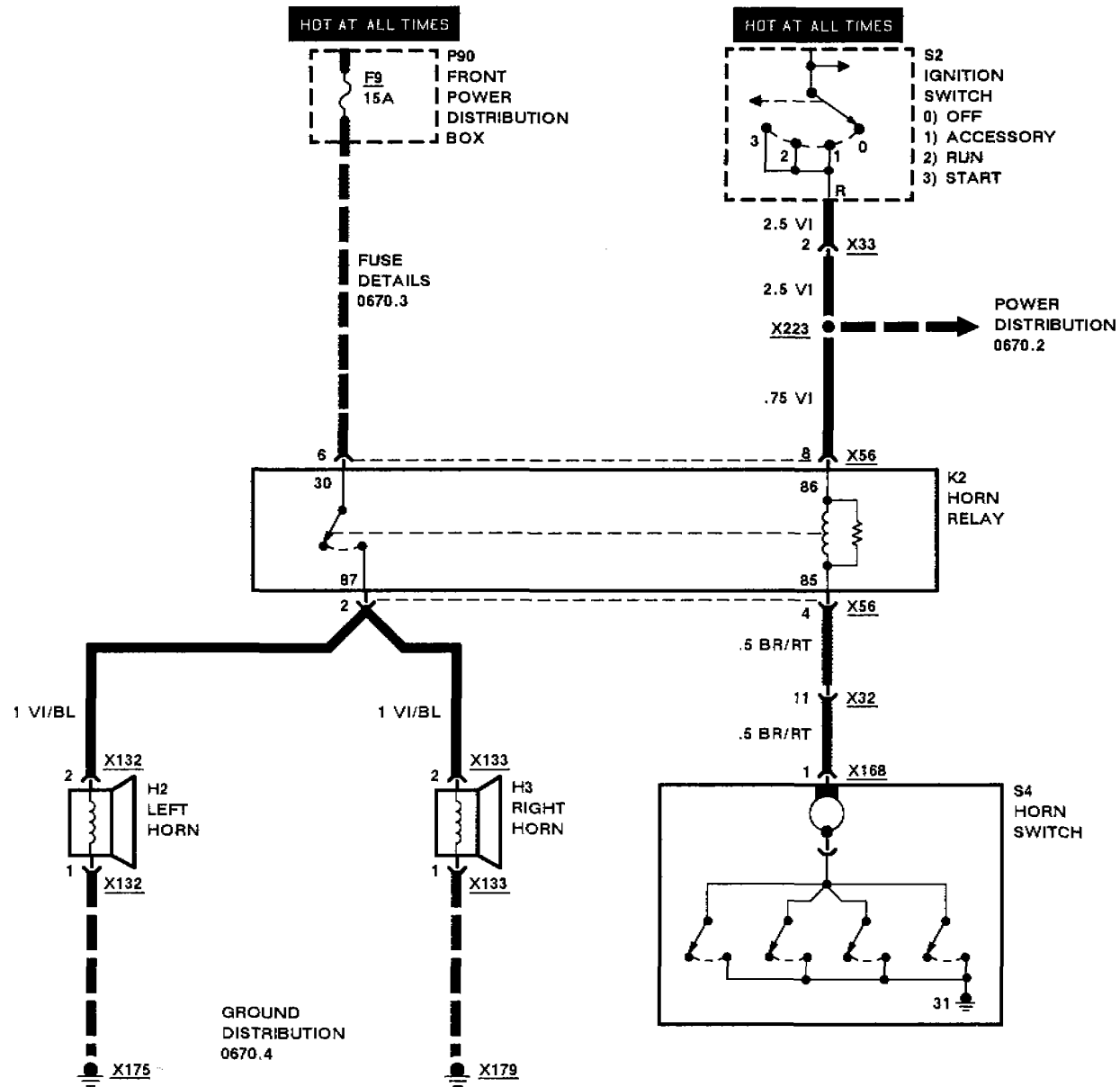
# CENTRAL BODY ELECTRONICS (ZKE)

## RELAY MODULE





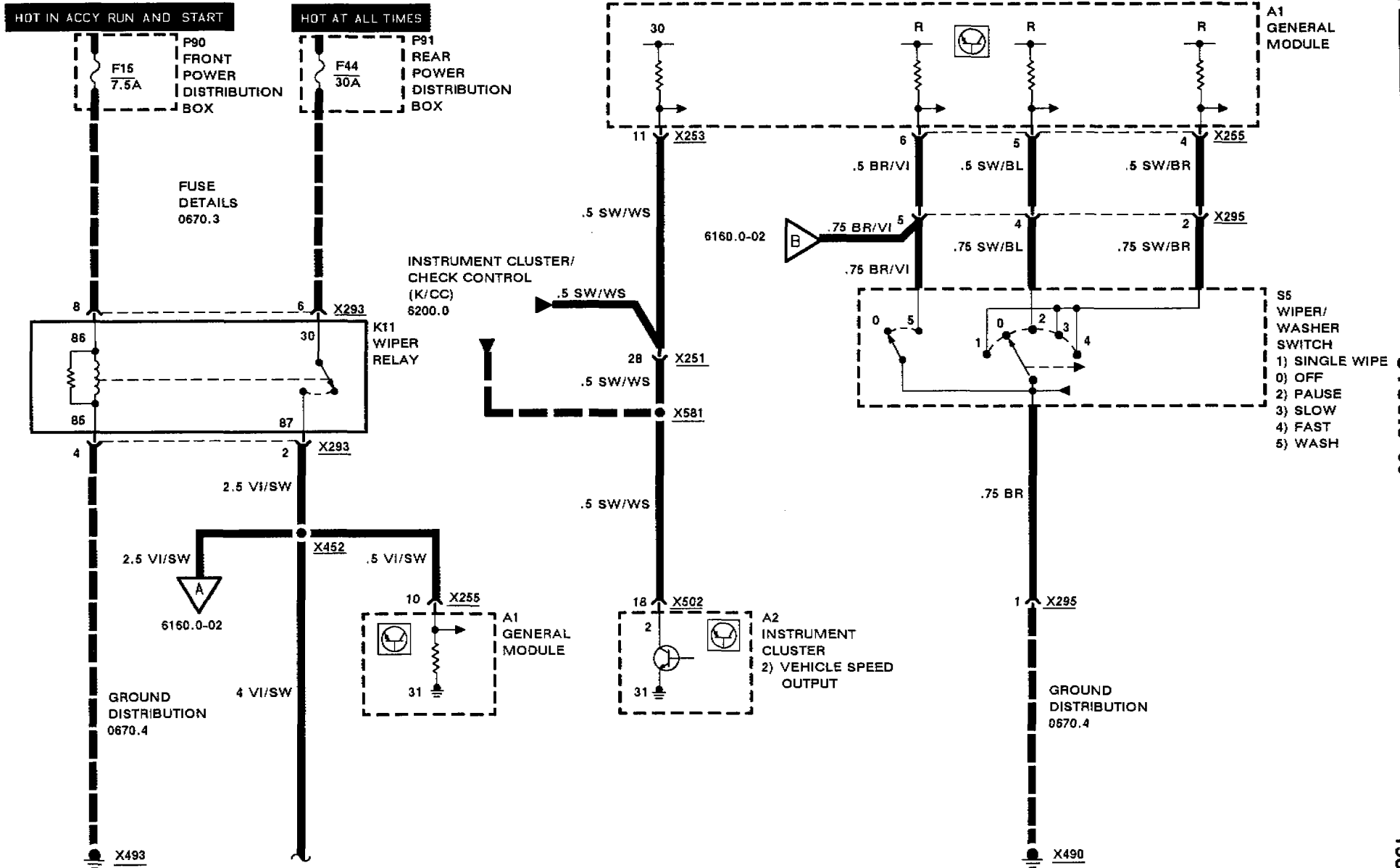
# HORN



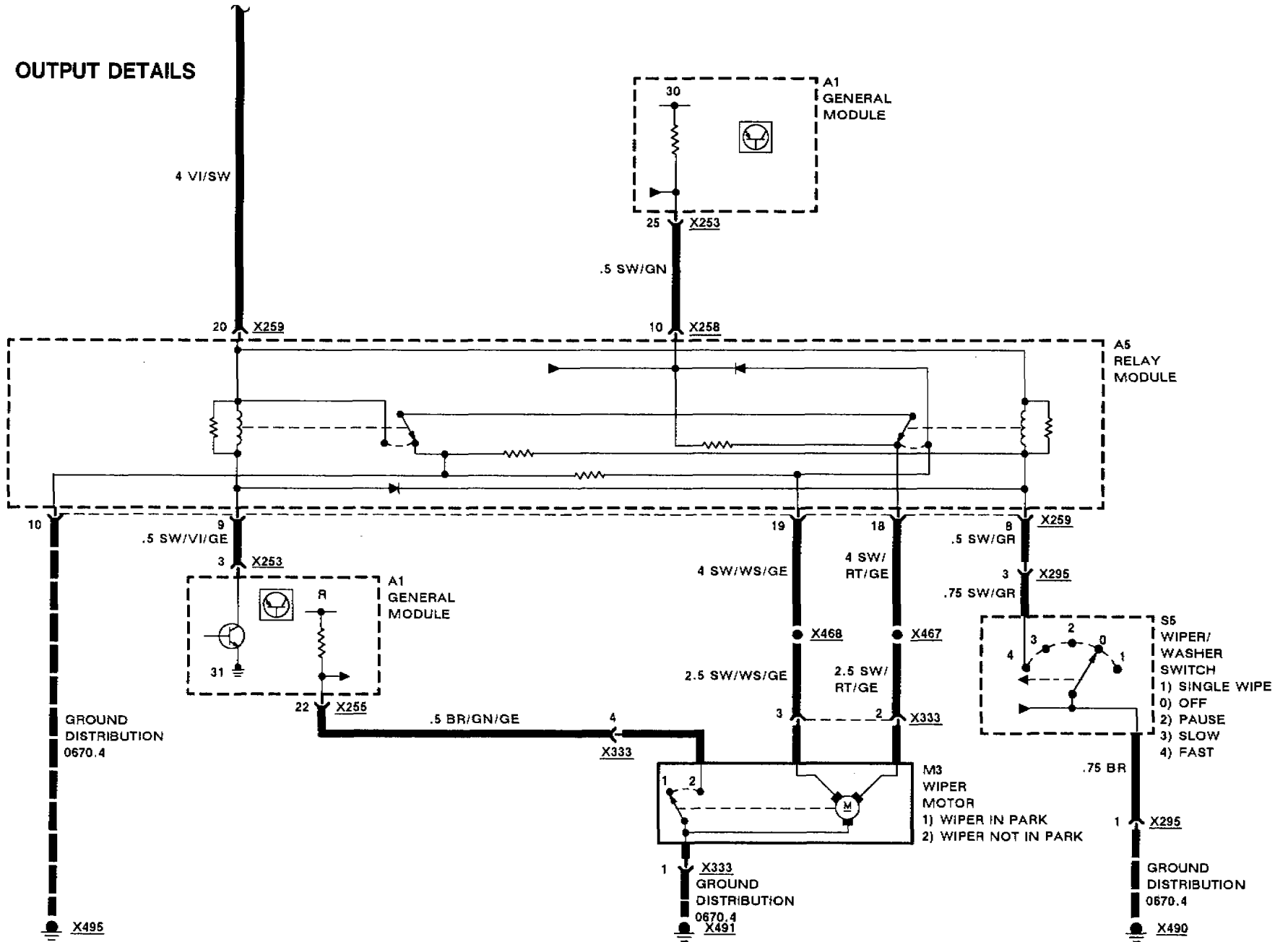


# ZKE WINDSHIELD WIPER CONTROL (SWS)

## INPUT DETAILS



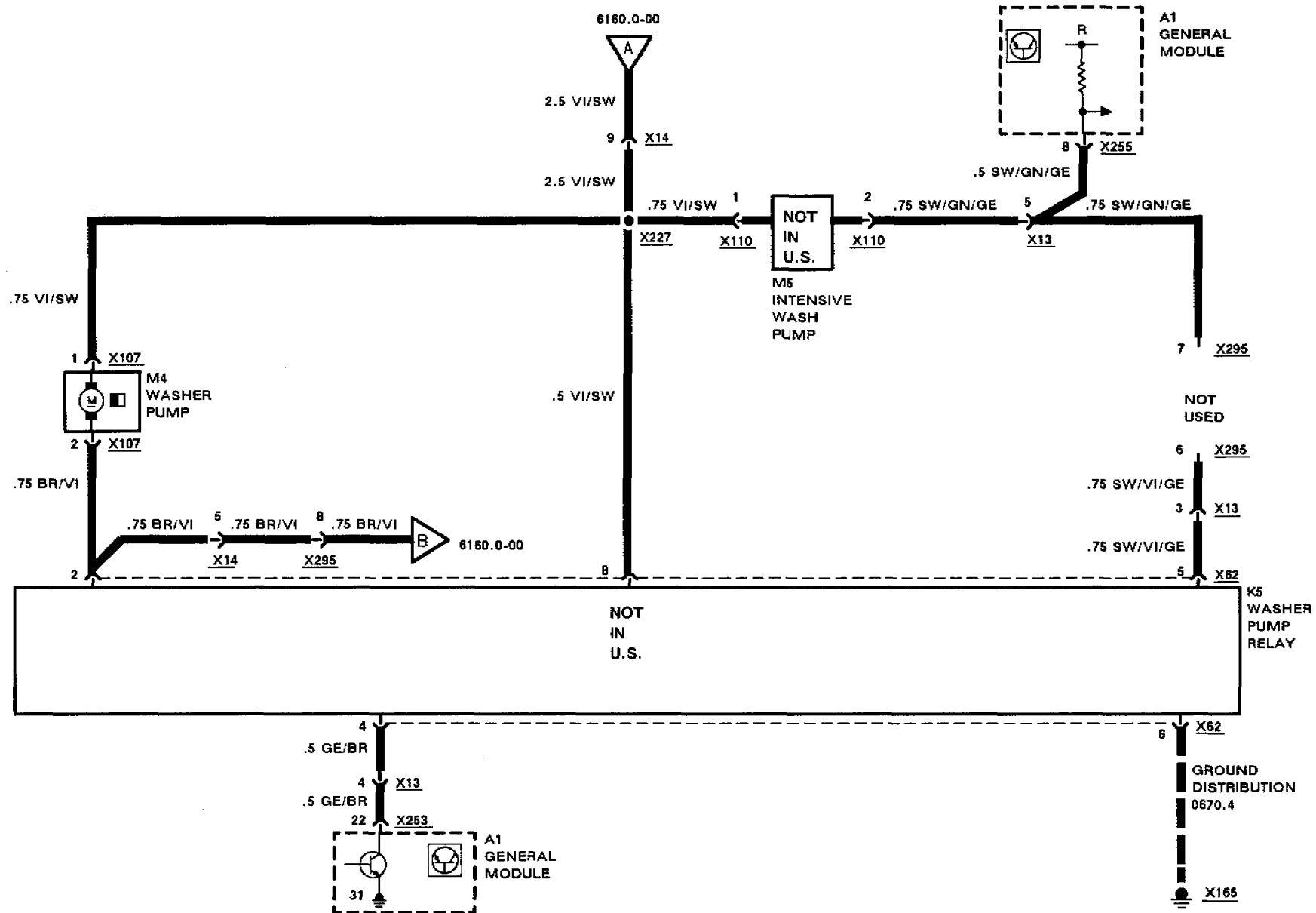
# OUTPUT DETAILS





# ZKE WINDSHIELD WIPER CONTROL (SWS)

## OUTPUT DETAILS

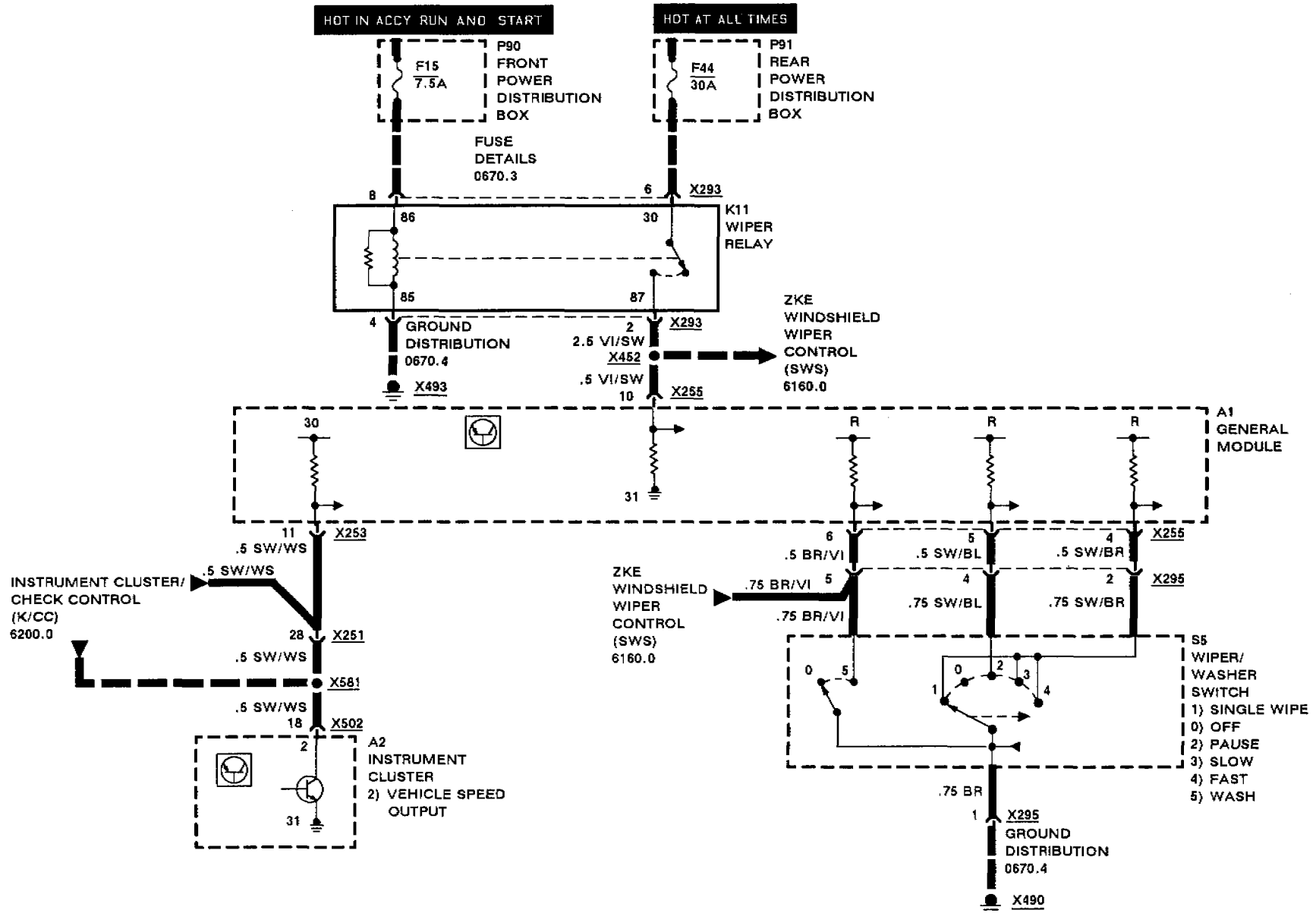




# ZKE WINDSHIELD WIPER PRESSURE CONTROL (ADV)

535i

## INPUT DETAILS



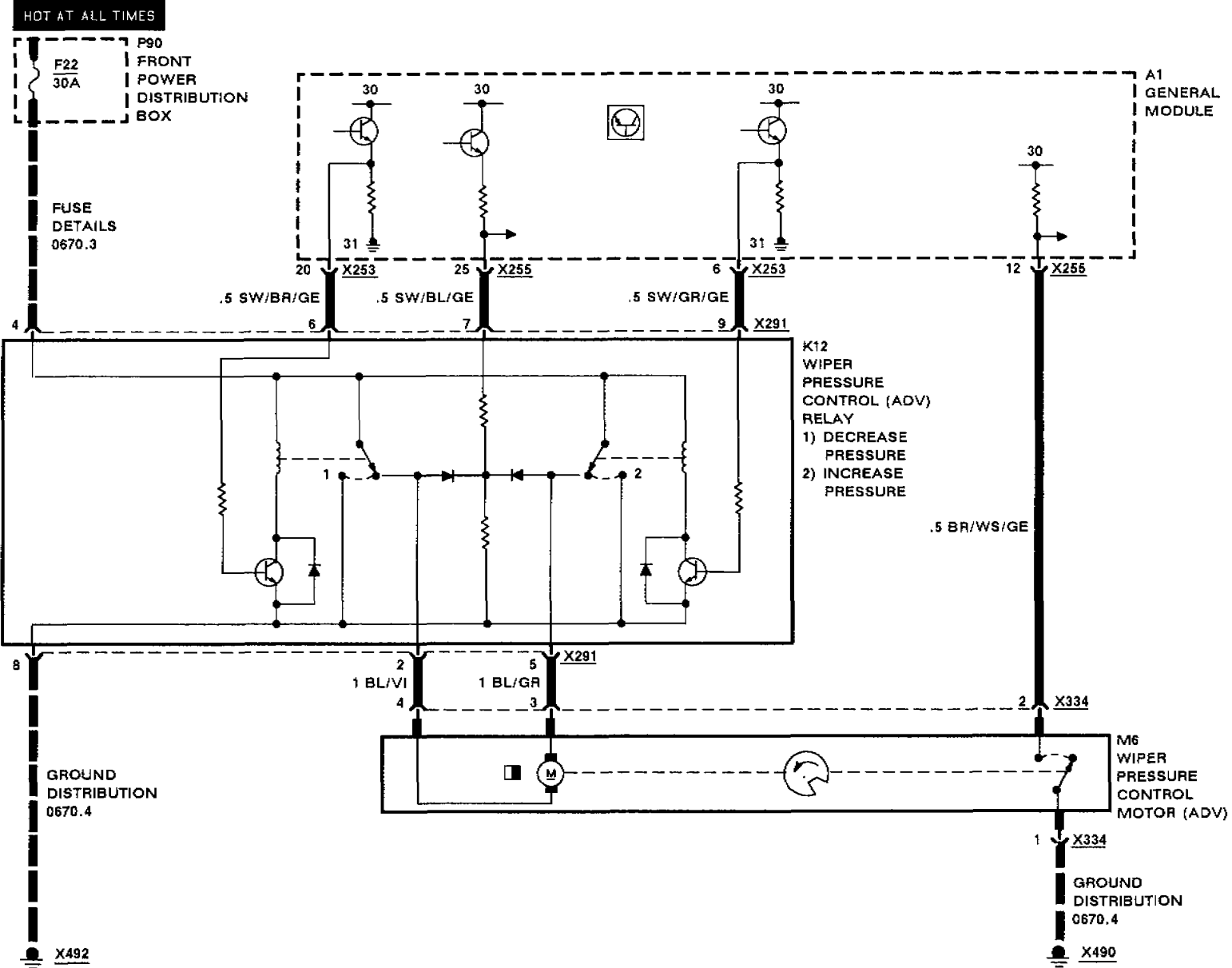




# ZKE WINDSHIELD WIPER PRESSURE CONTROL (ADV)

535i

## OUTPUT DETAILS

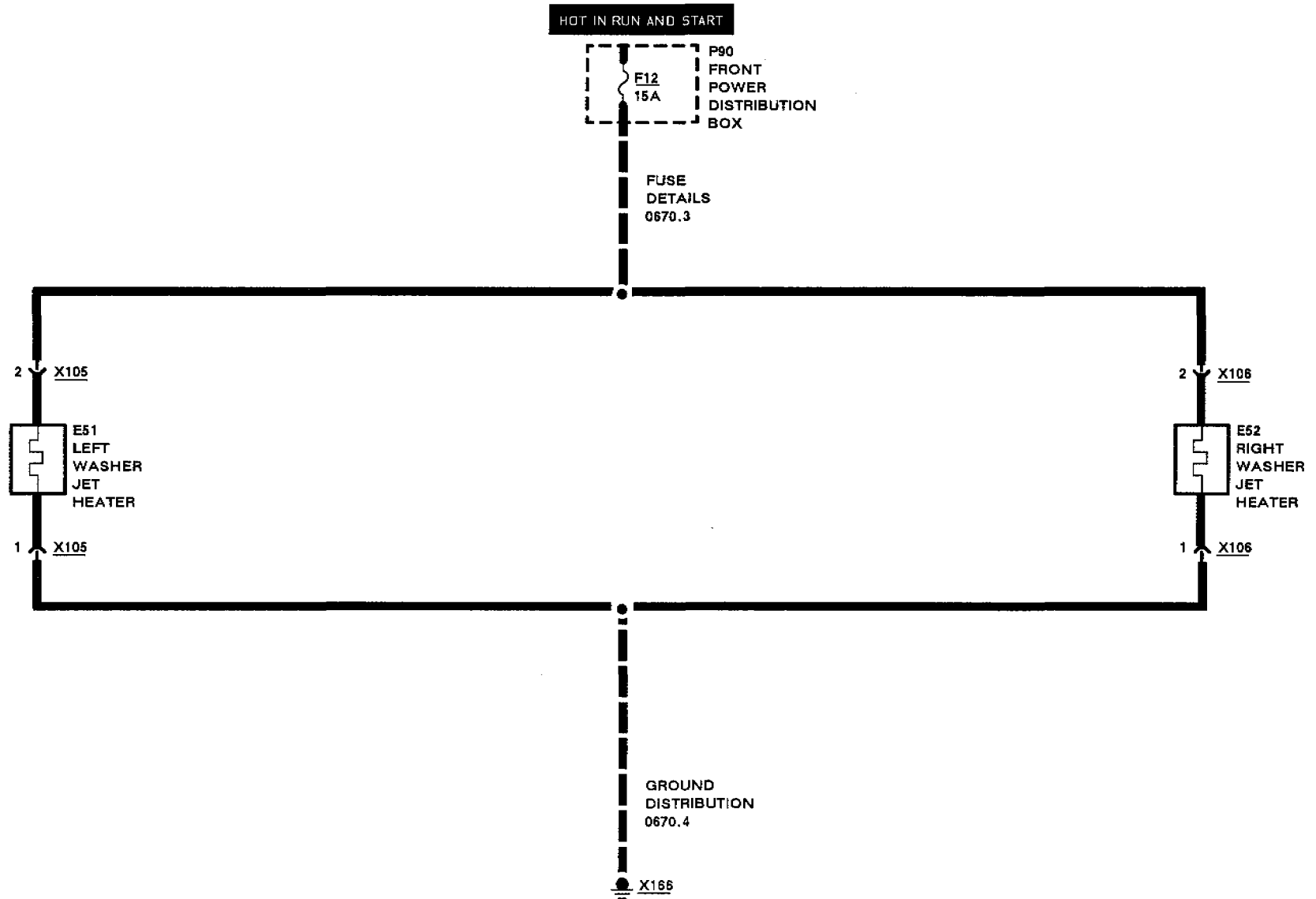




# WINDSHIELD WASHER JET HEATERS

535i

2/89

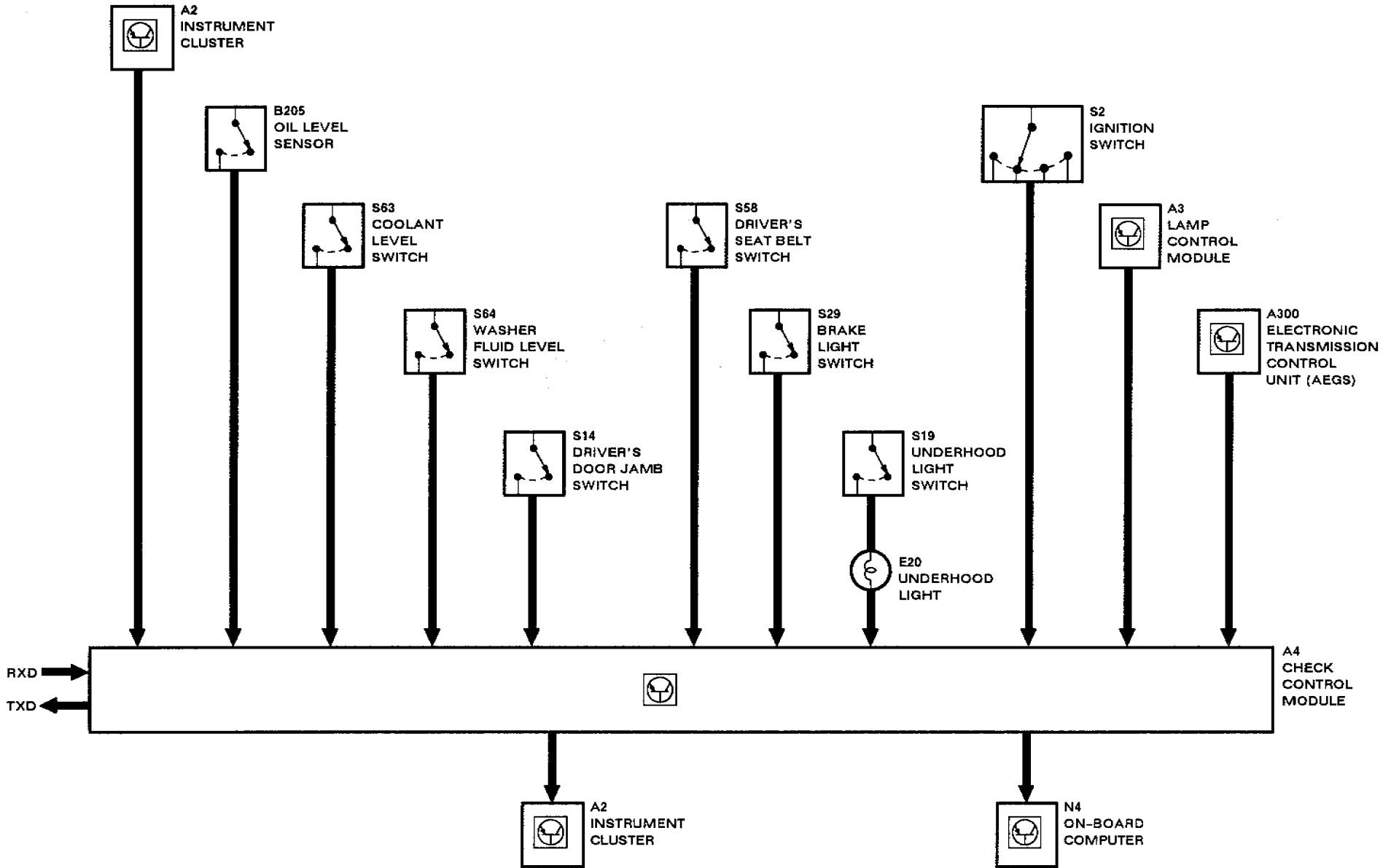


6169.0-00

1989



# INSTRUMENT CLUSTER/ CHECK CONTROL (K/CC)

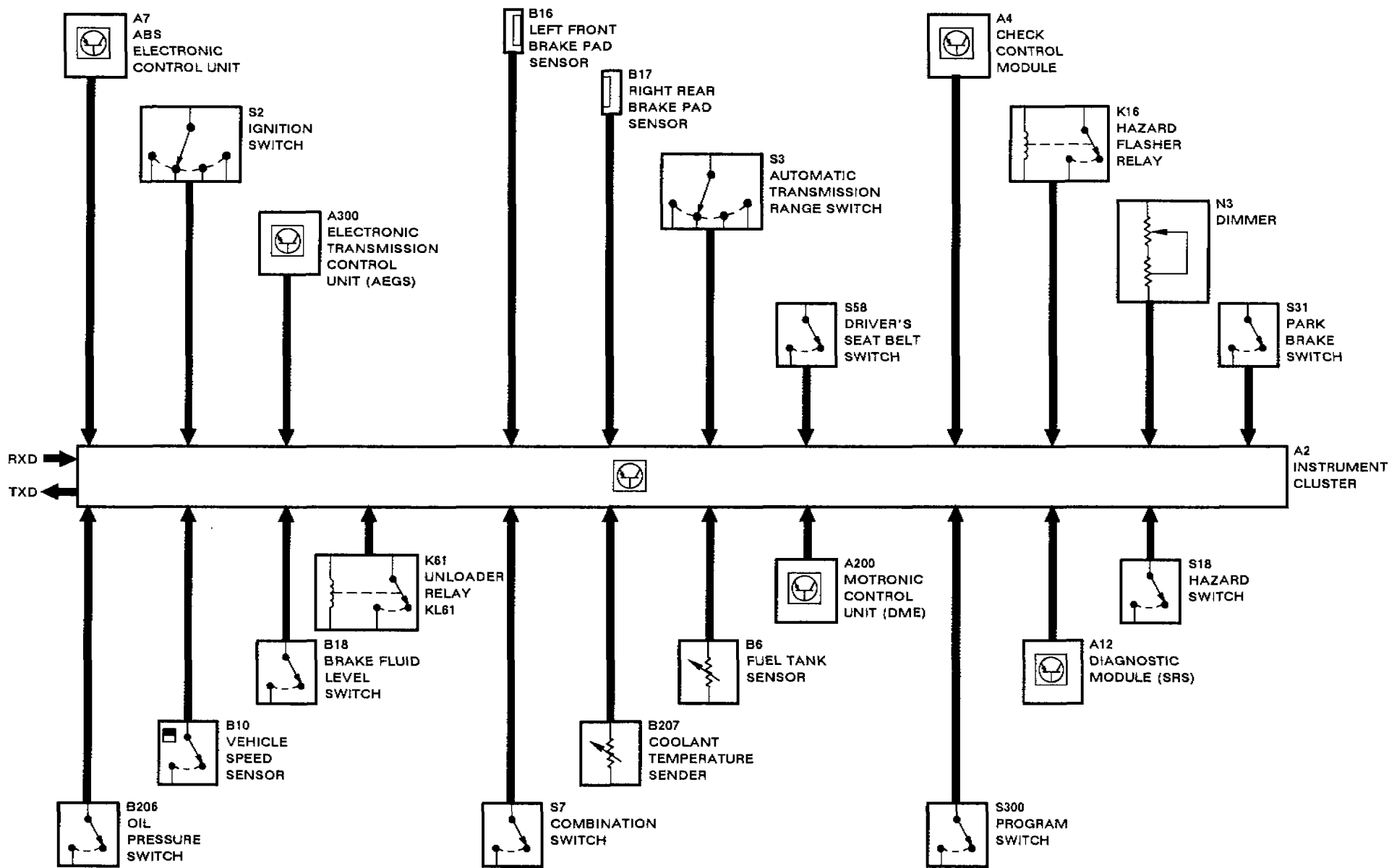


6200.0a



# INSTRUMENT CLUSTER/ CHECK CONTROL (K/CC)

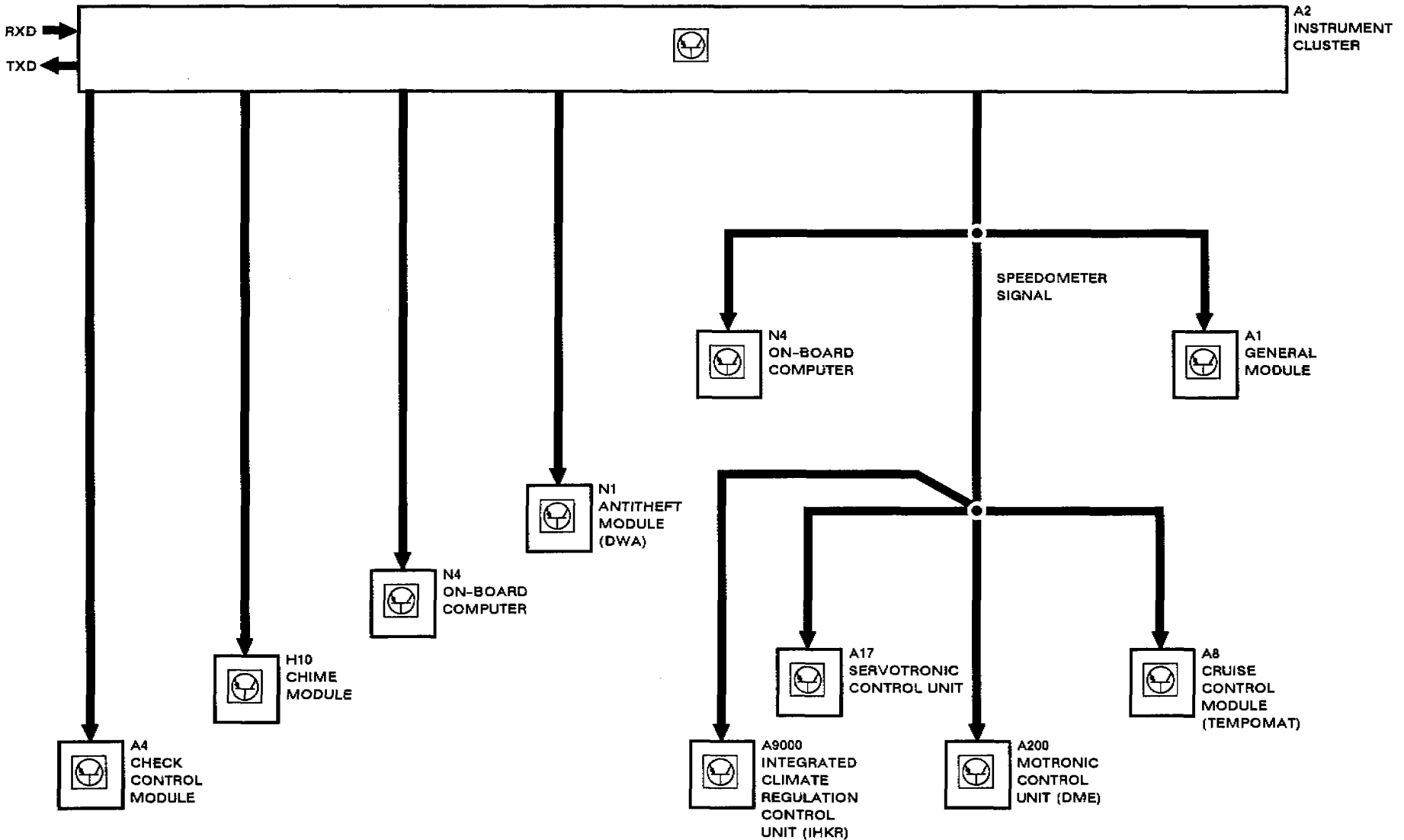
## INPUT DETAILS





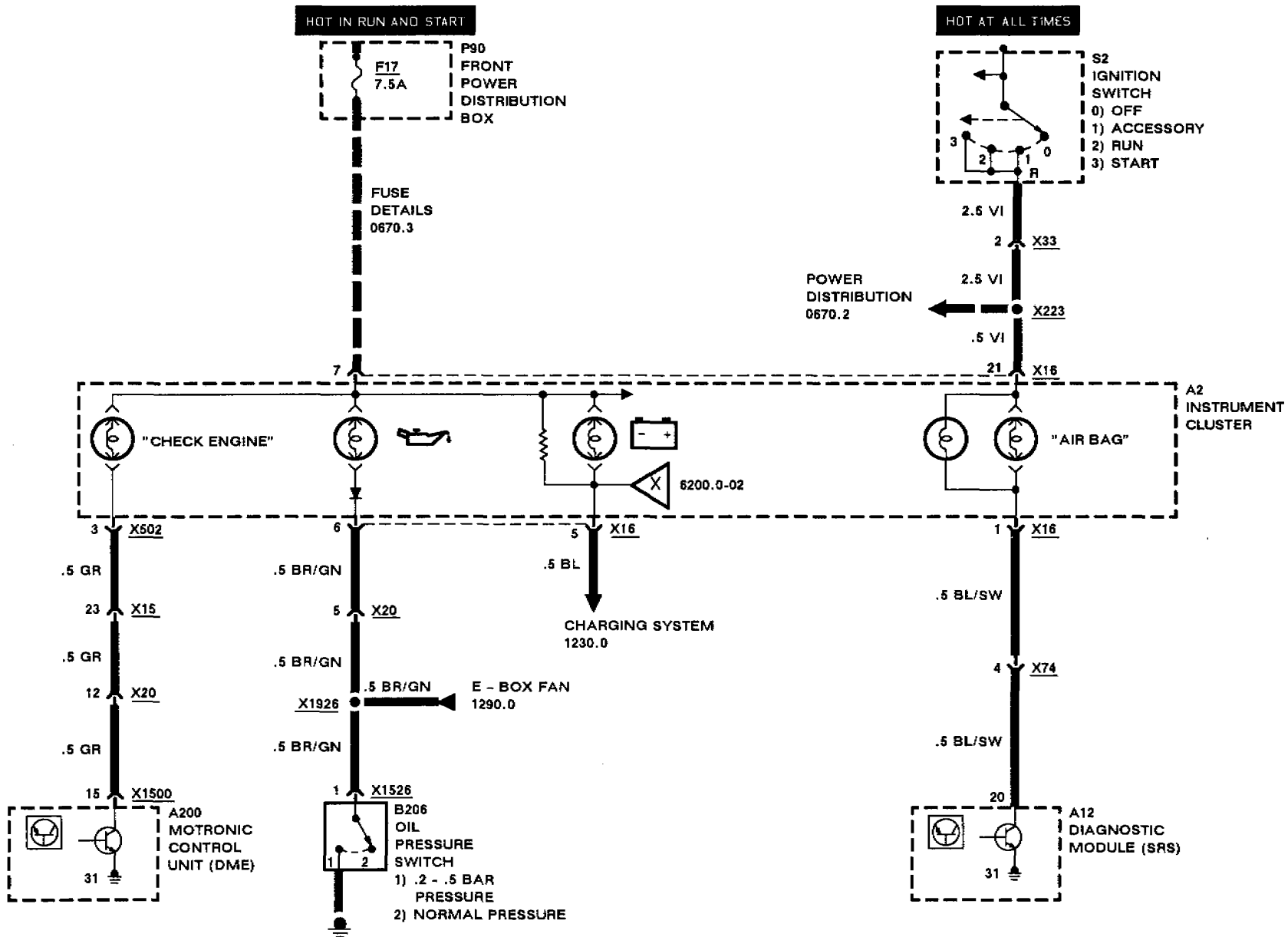
# INSTRUMENT CLUSTER/ CHECK CONTROL (K/CC)

## OUTPUT DETAILS





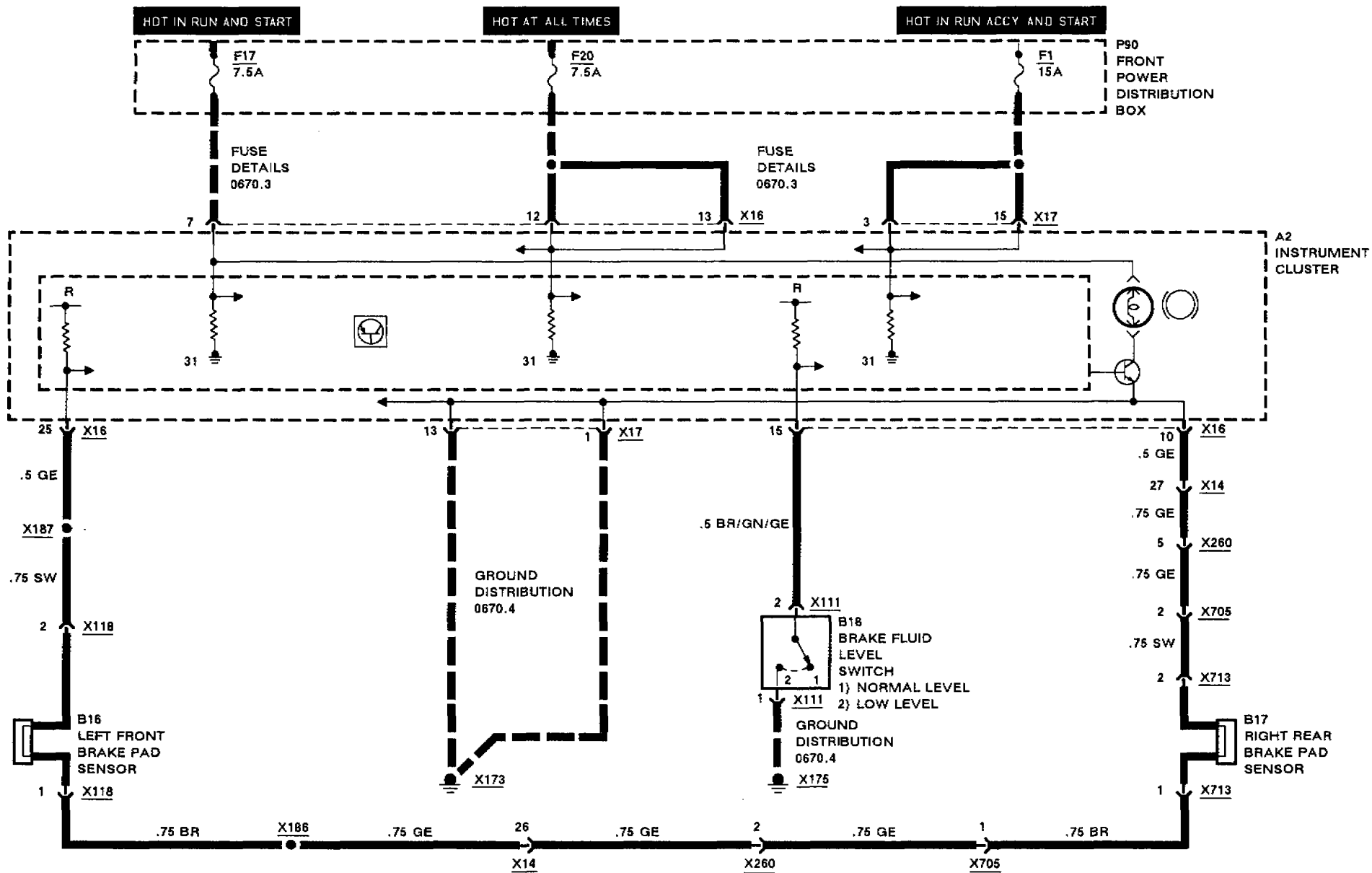
# INSTRUMENT CLUSTER/ CHECK CONTROL (K/CC) INDICATORS





# INSTRUMENT CLUSTER/ CHECK CONTROL (K/CC)

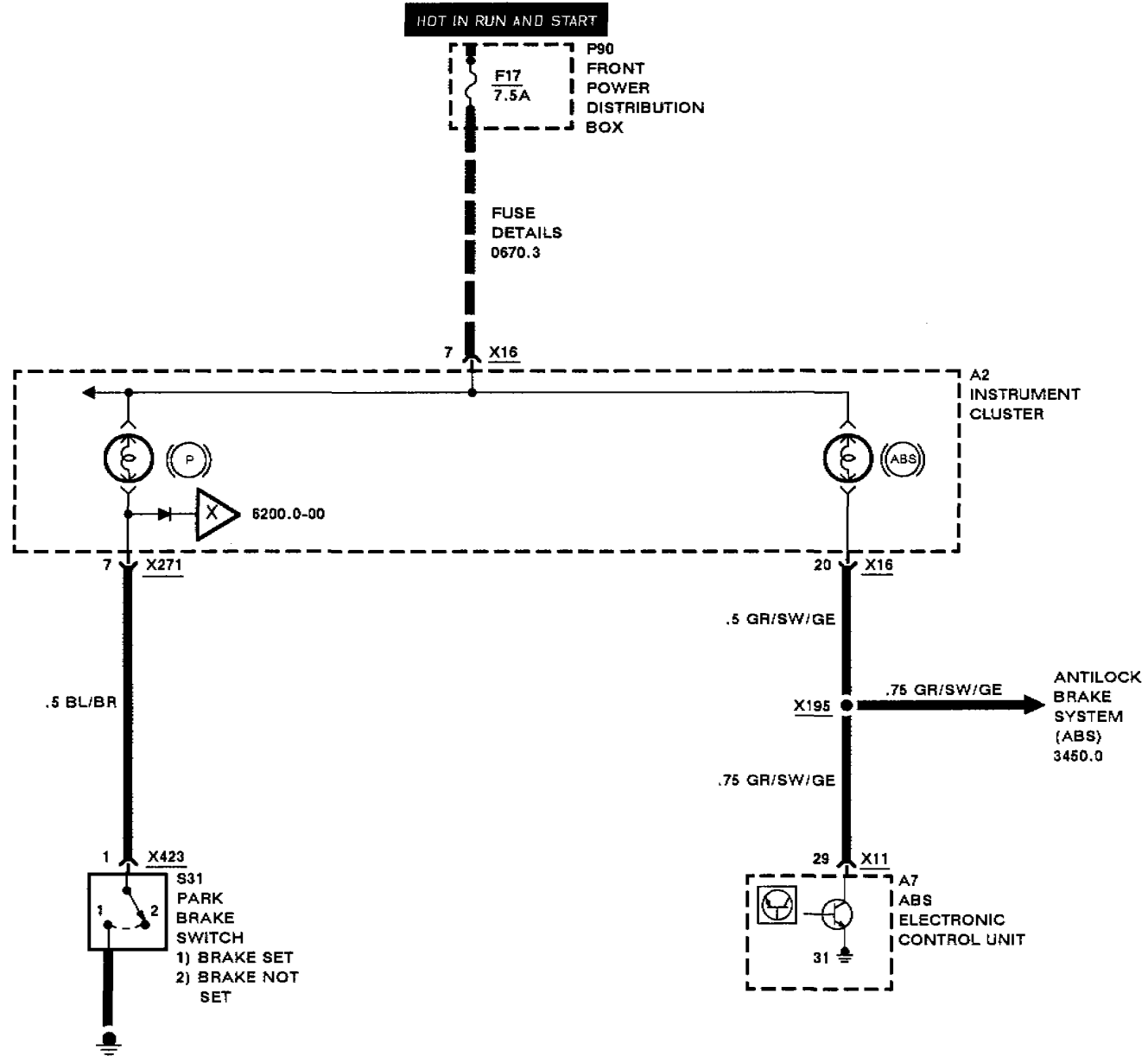
## INDICATORS





# INSTRUMENT CLUSTER/ CHECK CONTROL (K/CC)

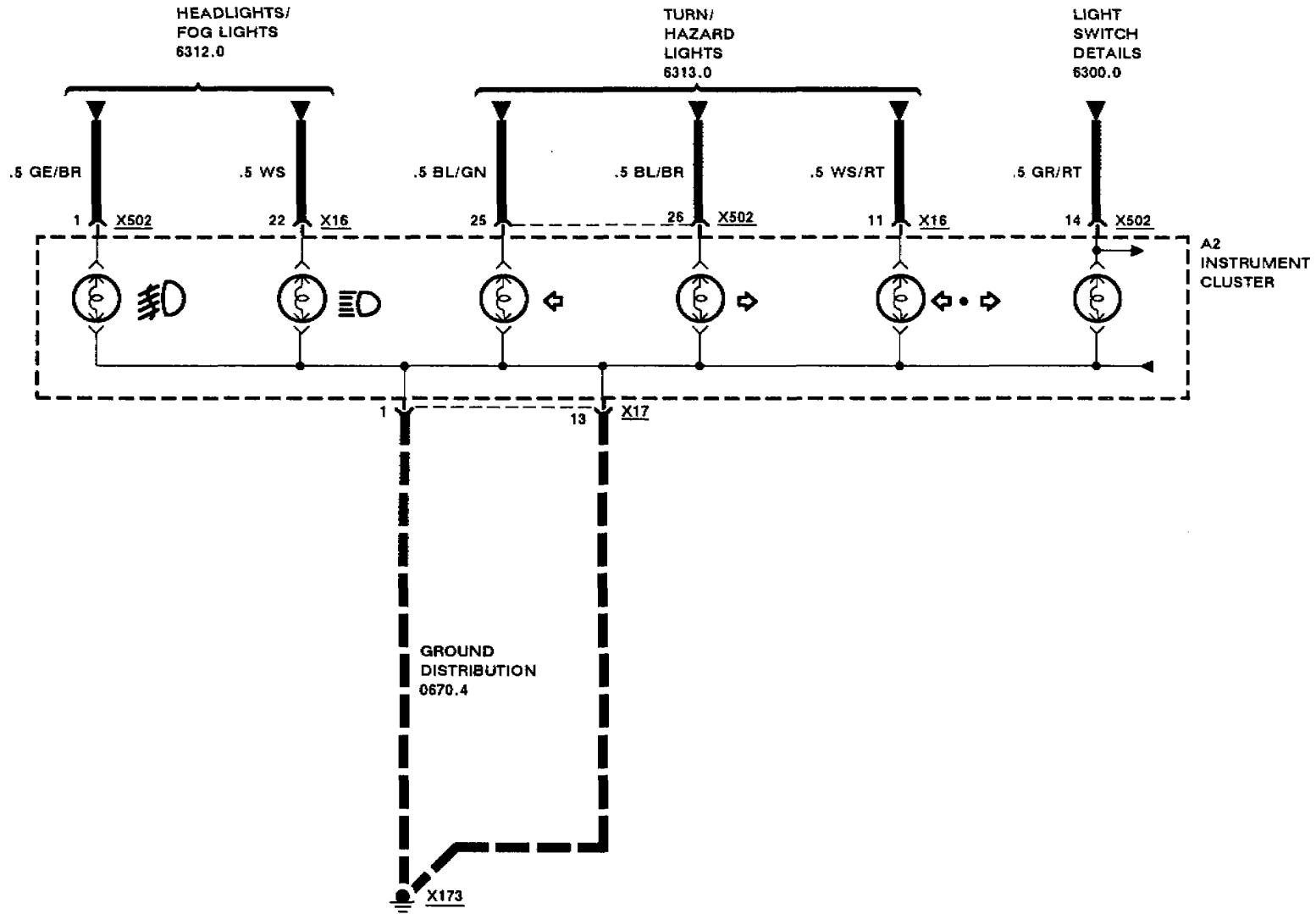
## INDICATORS







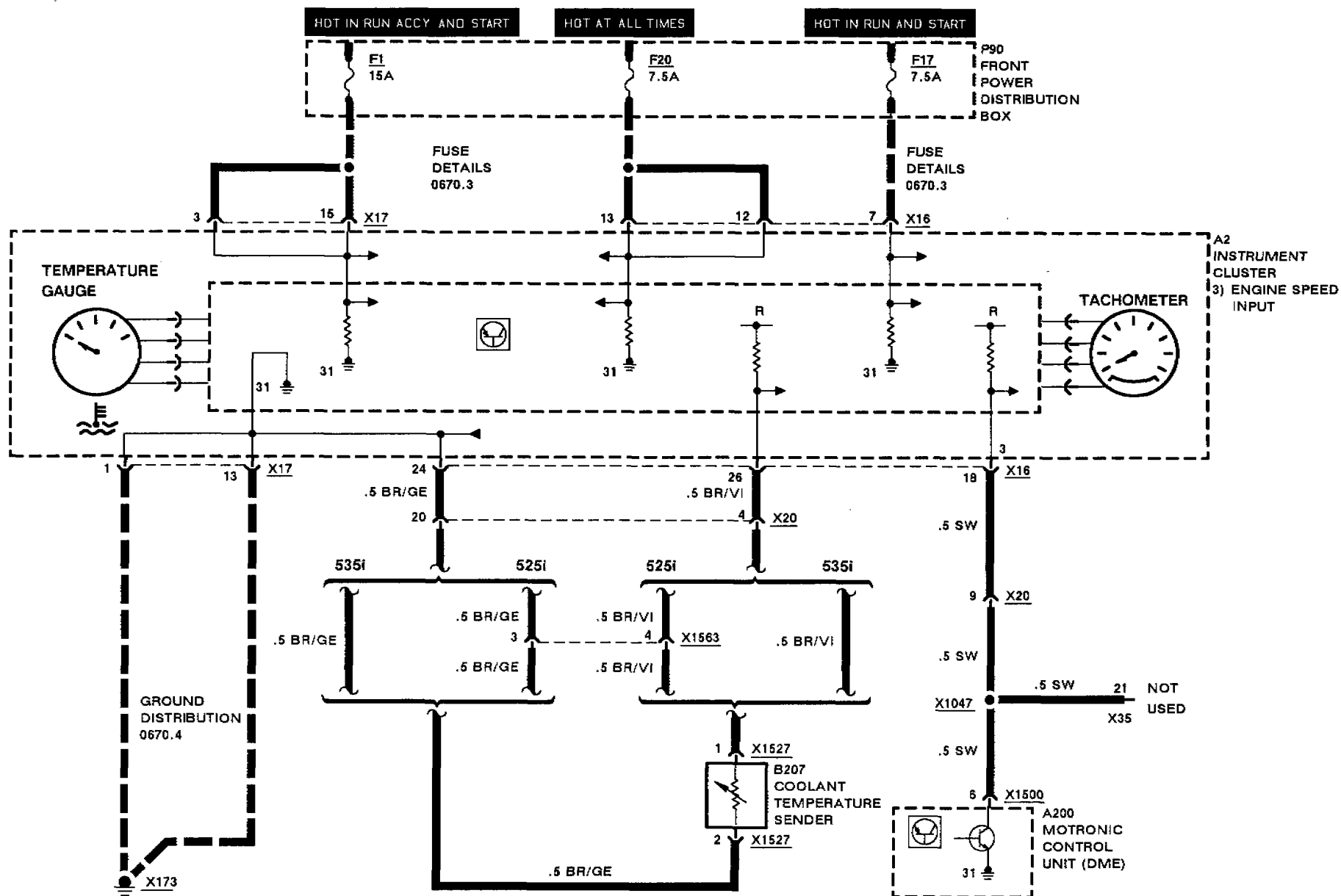
# INSTRUMENT CLUSTER/ CHECK CONTROL (K/CC) INDICATORS





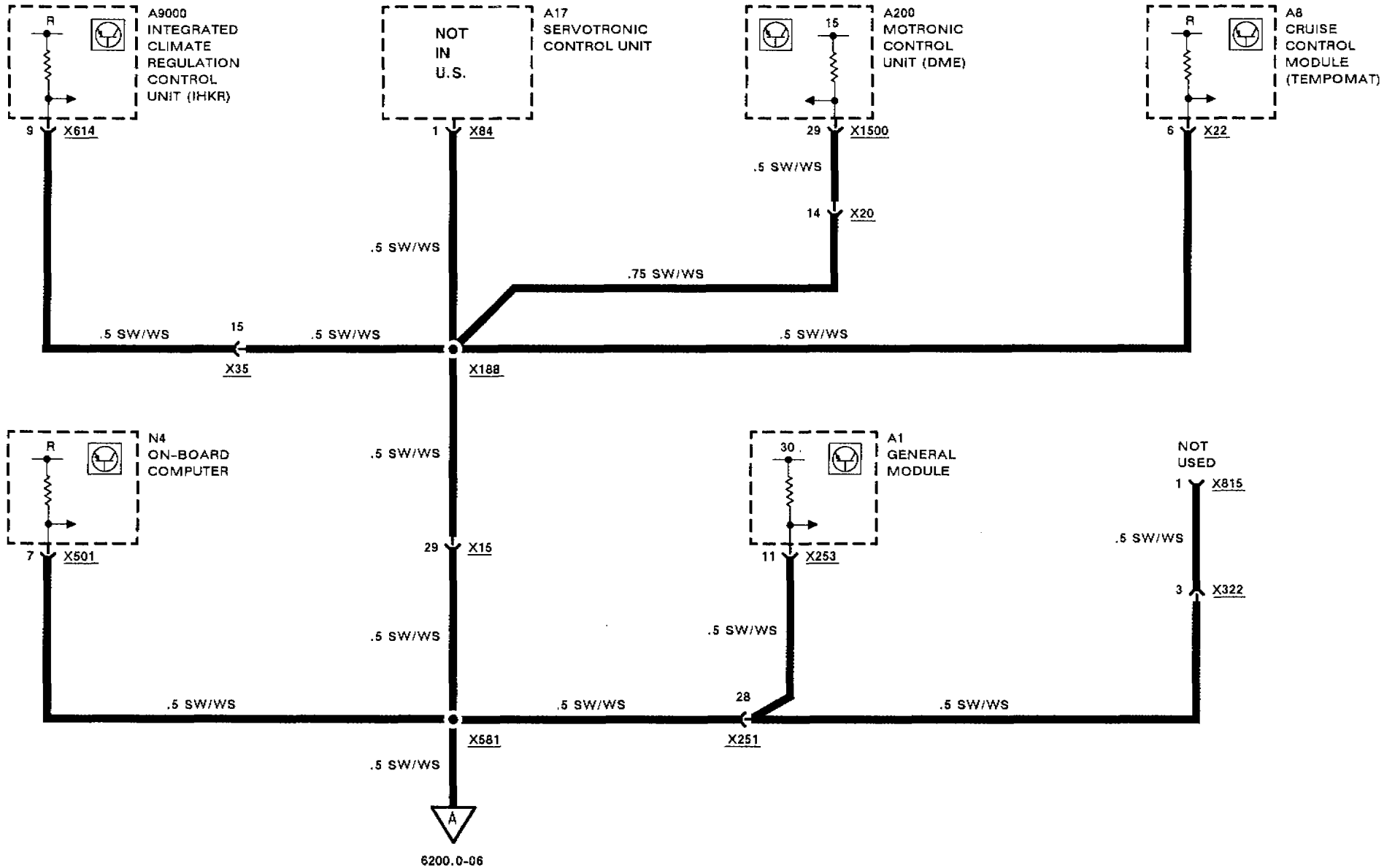
# INSTRUMENT CLUSTER/ CHECK CONTROL (K/CC)

## GAUGES





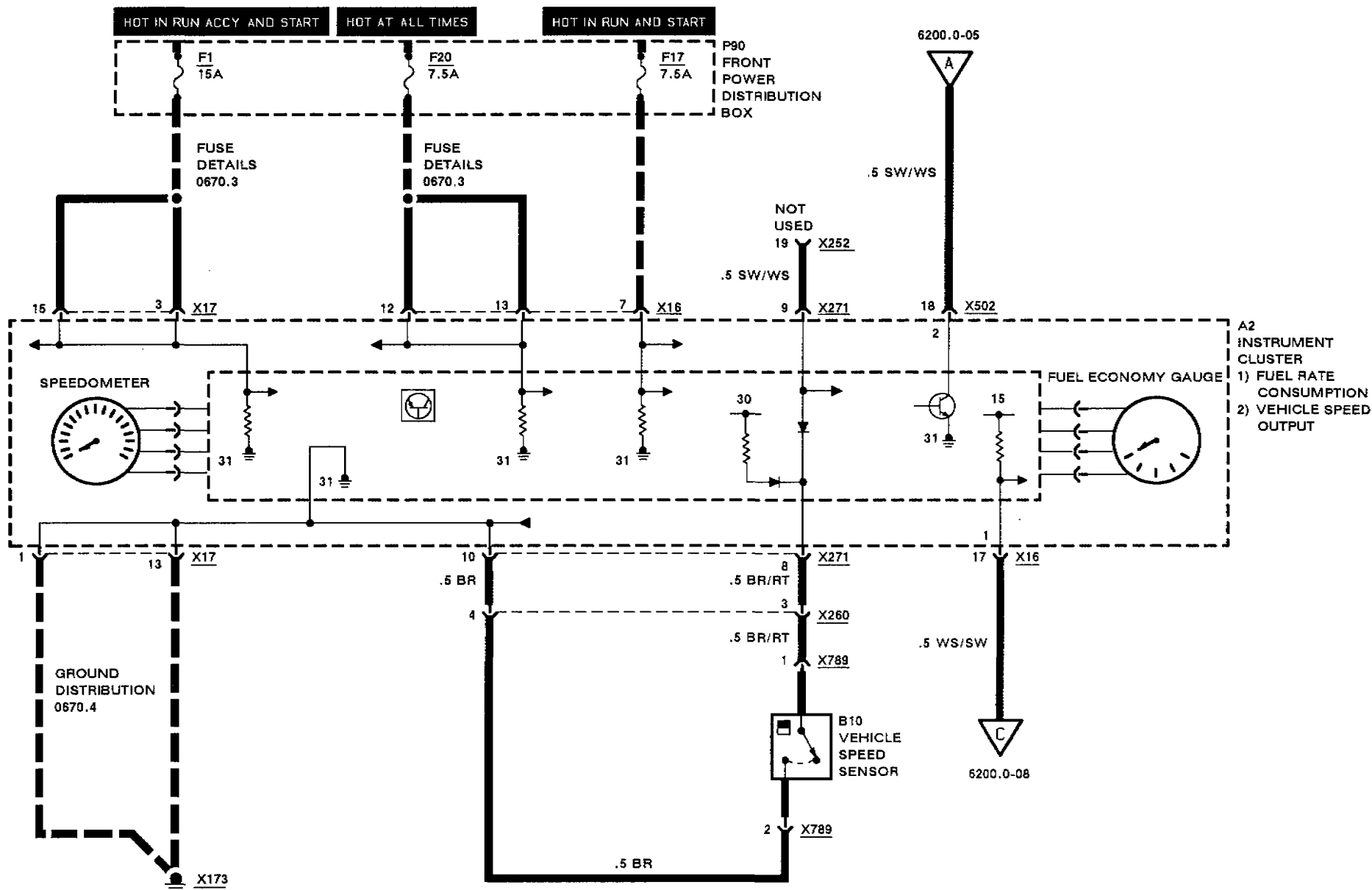
# INSTRUMENT CLUSTER/ CHECK CONTROL (K/CC)





# INSTRUMENT CLUSTER/ CHECK CONTROL (K/CC)

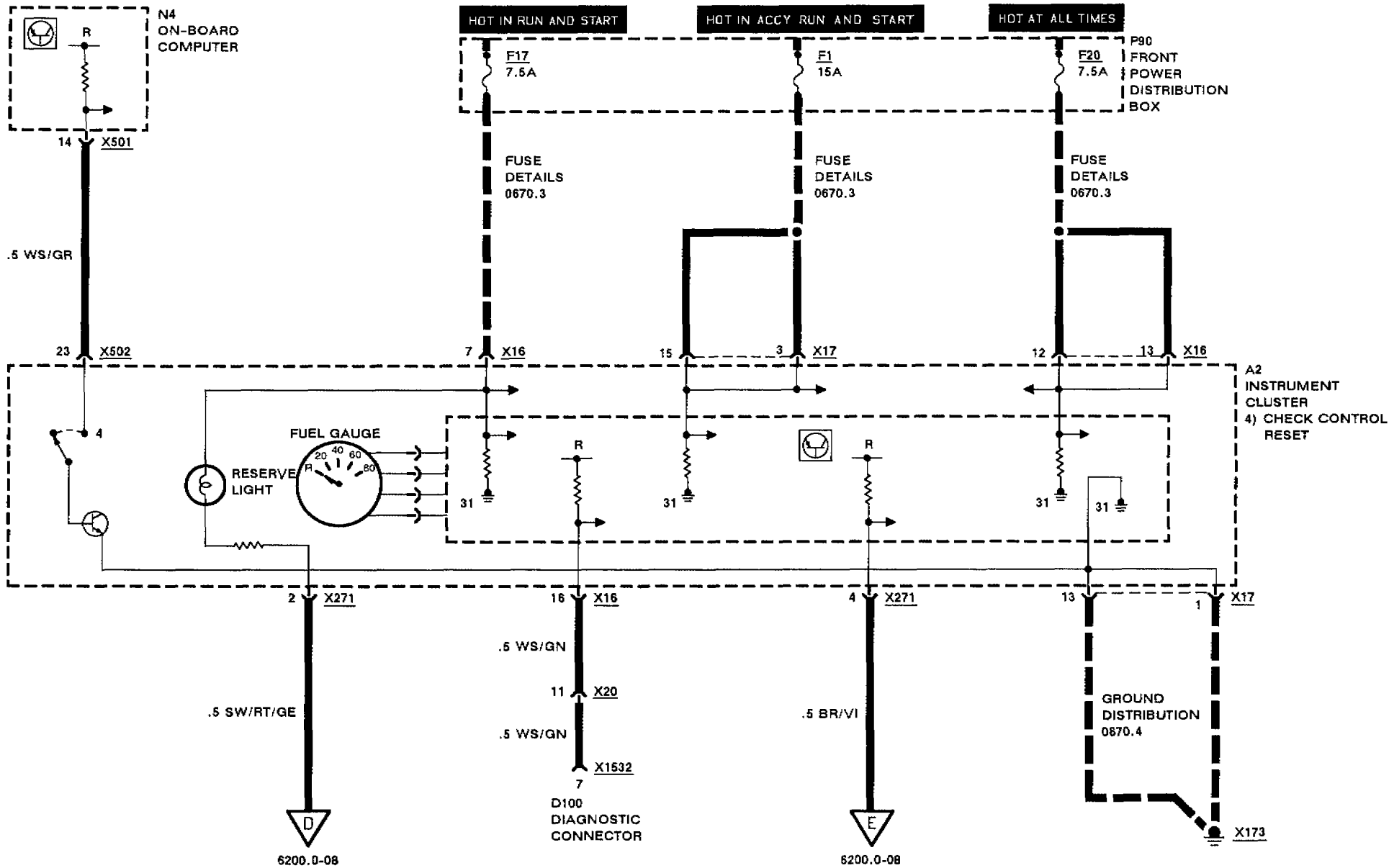
## GAUGES





# INSTRUMENT CLUSTER/ CHECK CONTROL (K/CC)

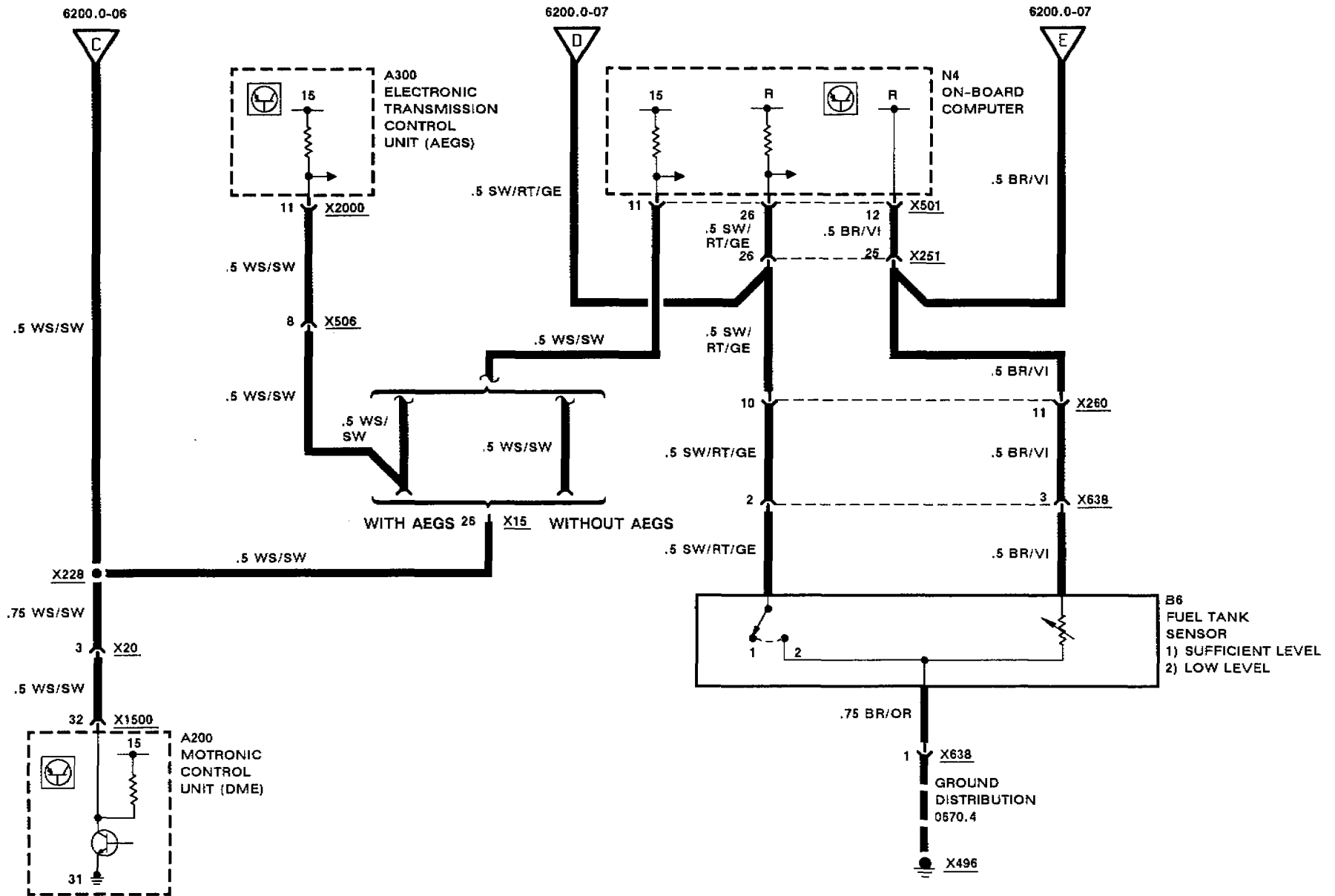
## GAUGES





# INSTRUMENT CLUSTER/ CHECK CONTROL (K/CC)

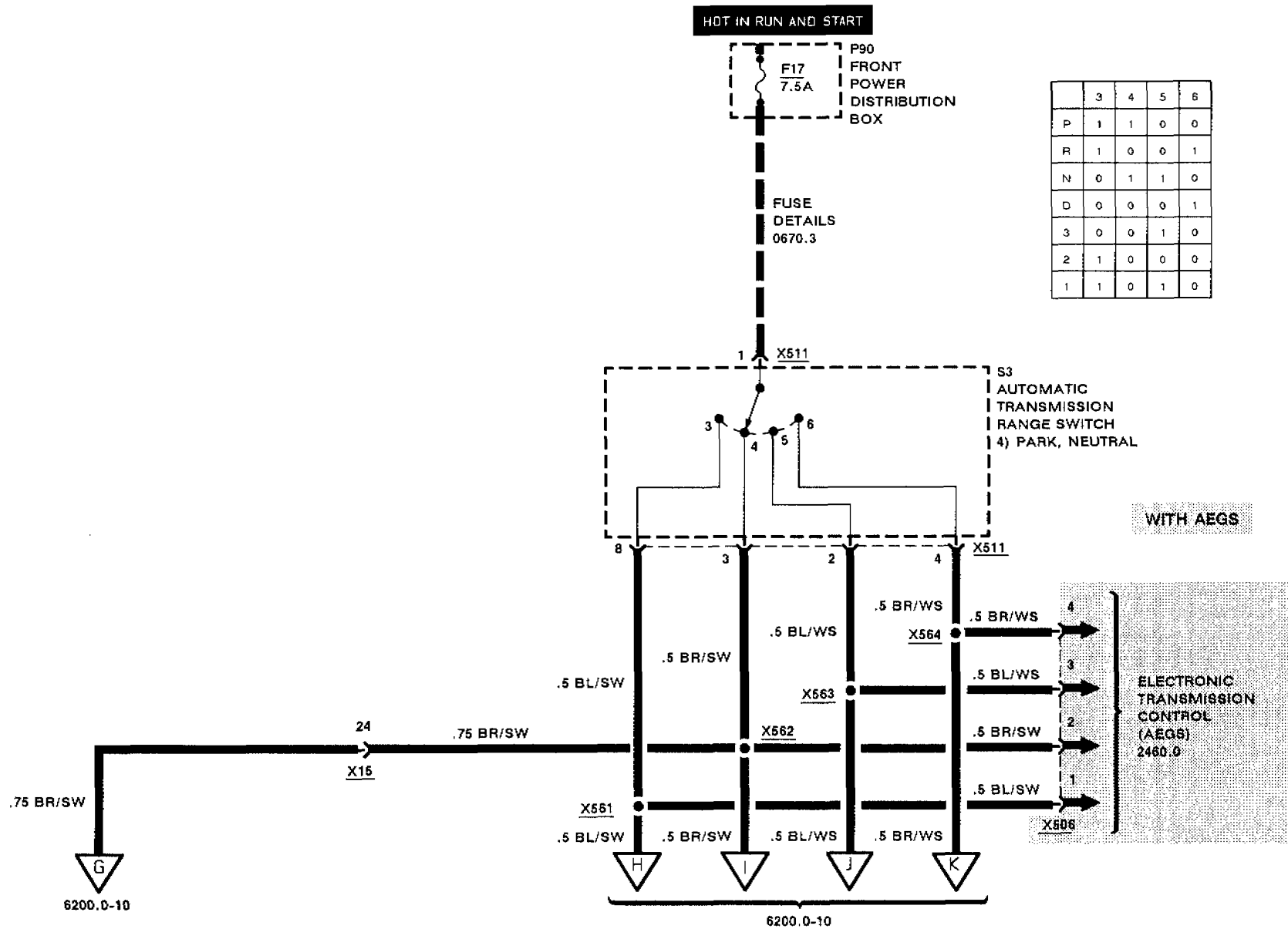
## GAUGES



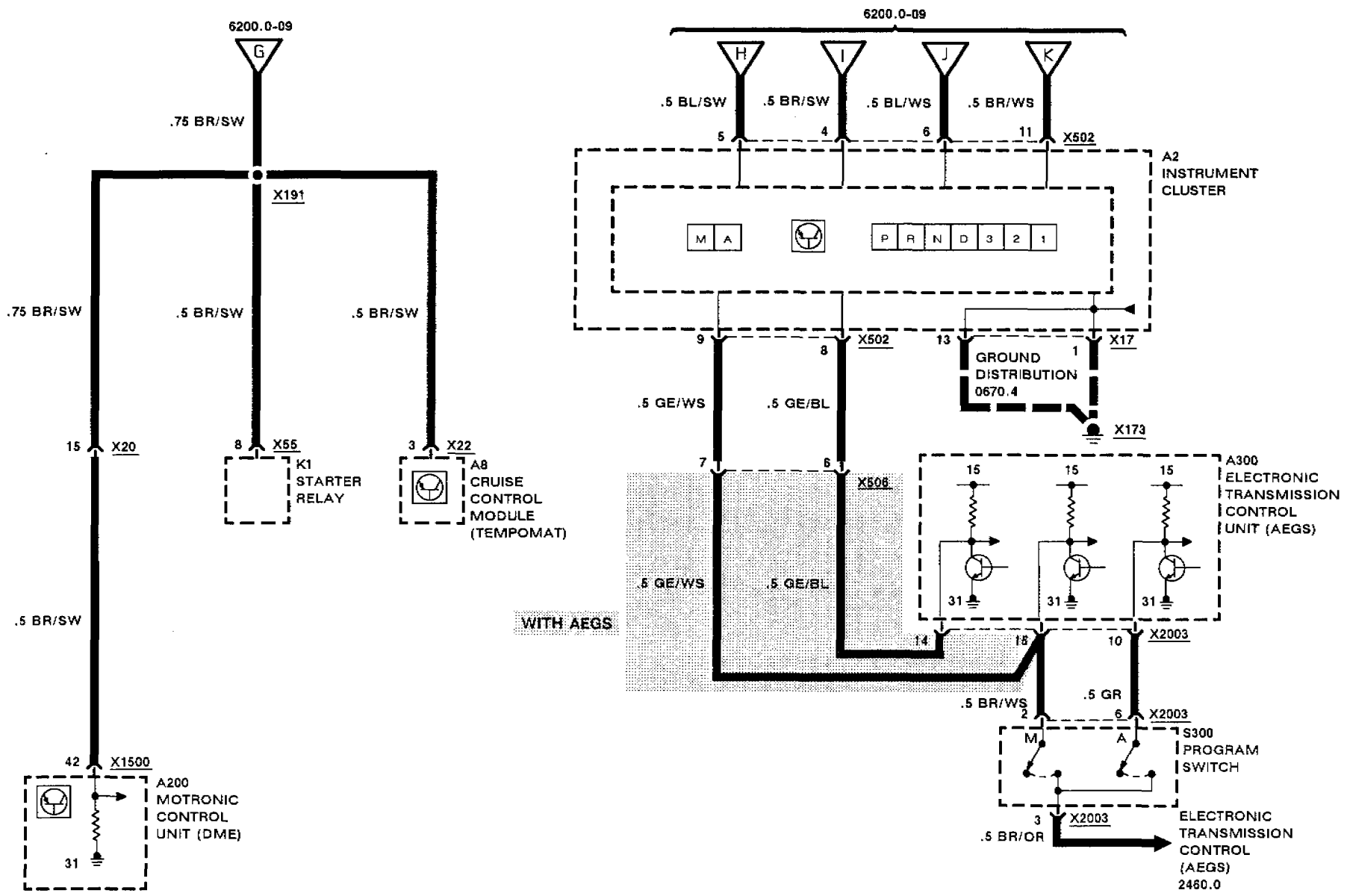


# INSTRUMENT CLUSTER/ CHECK CONTROL (K/CC)

## GEAR SELECTOR



**BMW 5 INSTRUMENT CLUSTER/ CHECK CONTROL (K/CC)**

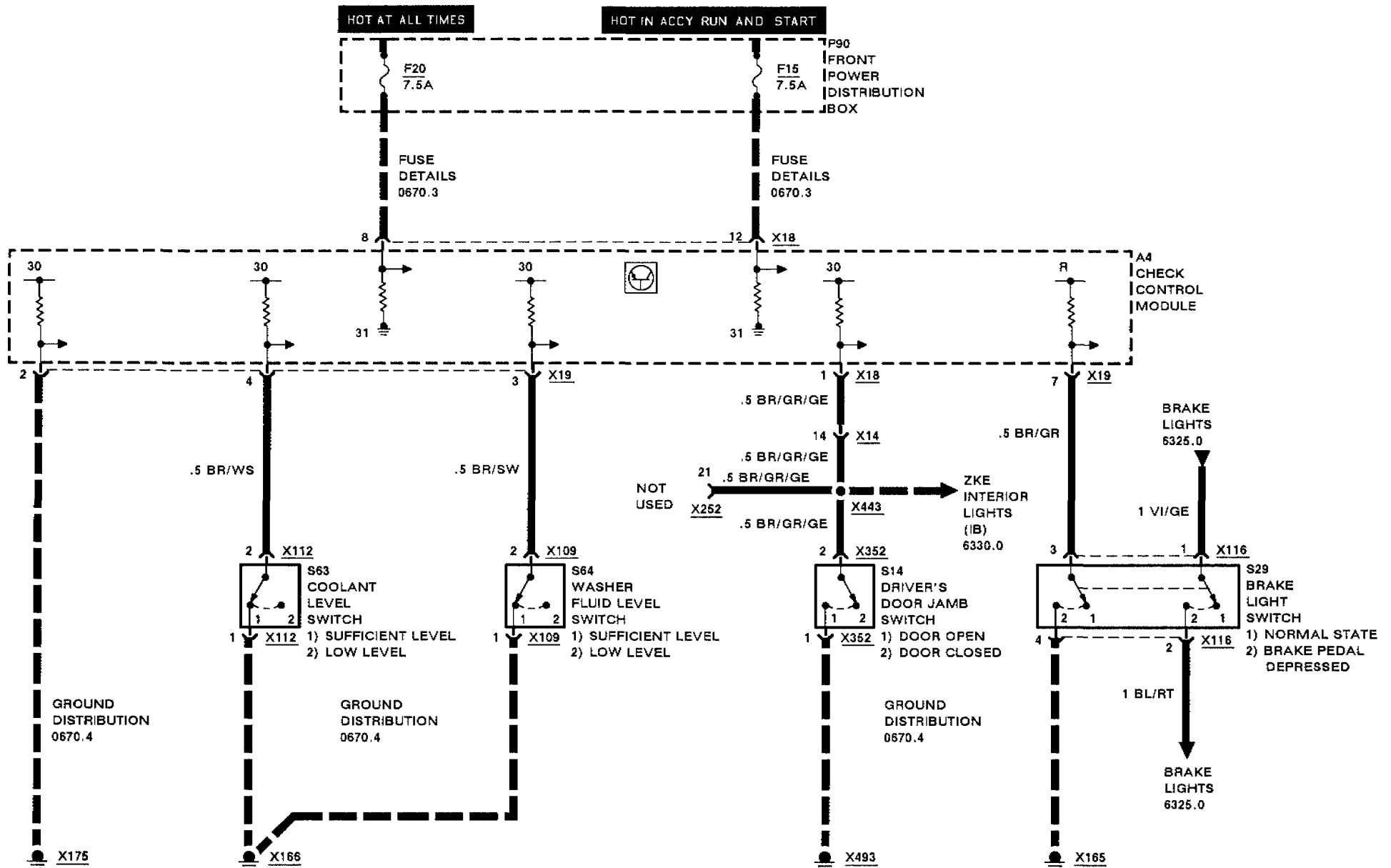






# INSTRUMENT CLUSTER/ CHECK CONTROL (K/CC)

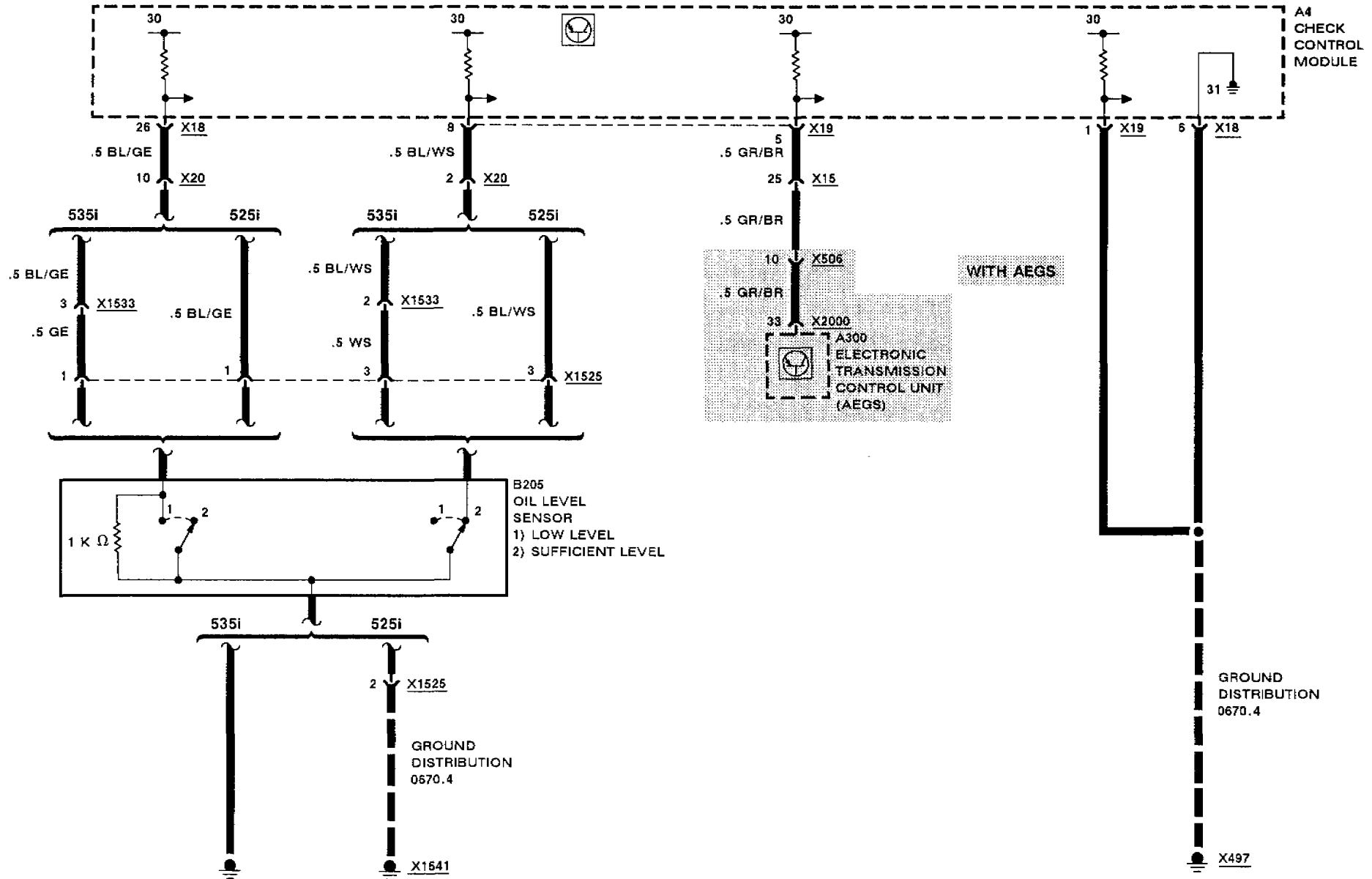
## CHECK CONTROL





# INSTRUMENT CLUSTER/ CHECK CONTROL (K/CC)

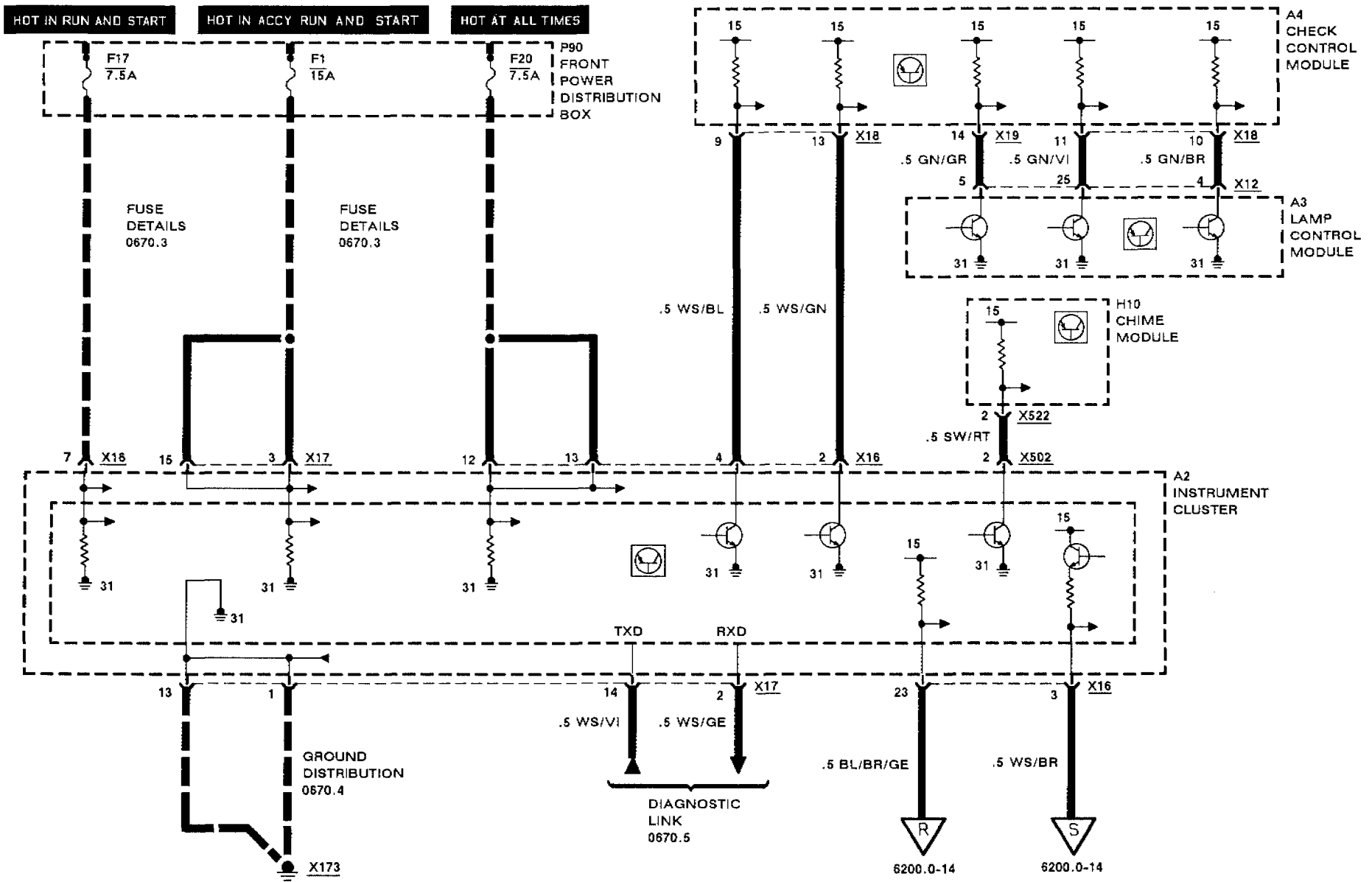
## CHECK CONTROL





# INSTRUMENT CLUSTER/ CHECK CONTROL (K/CC)

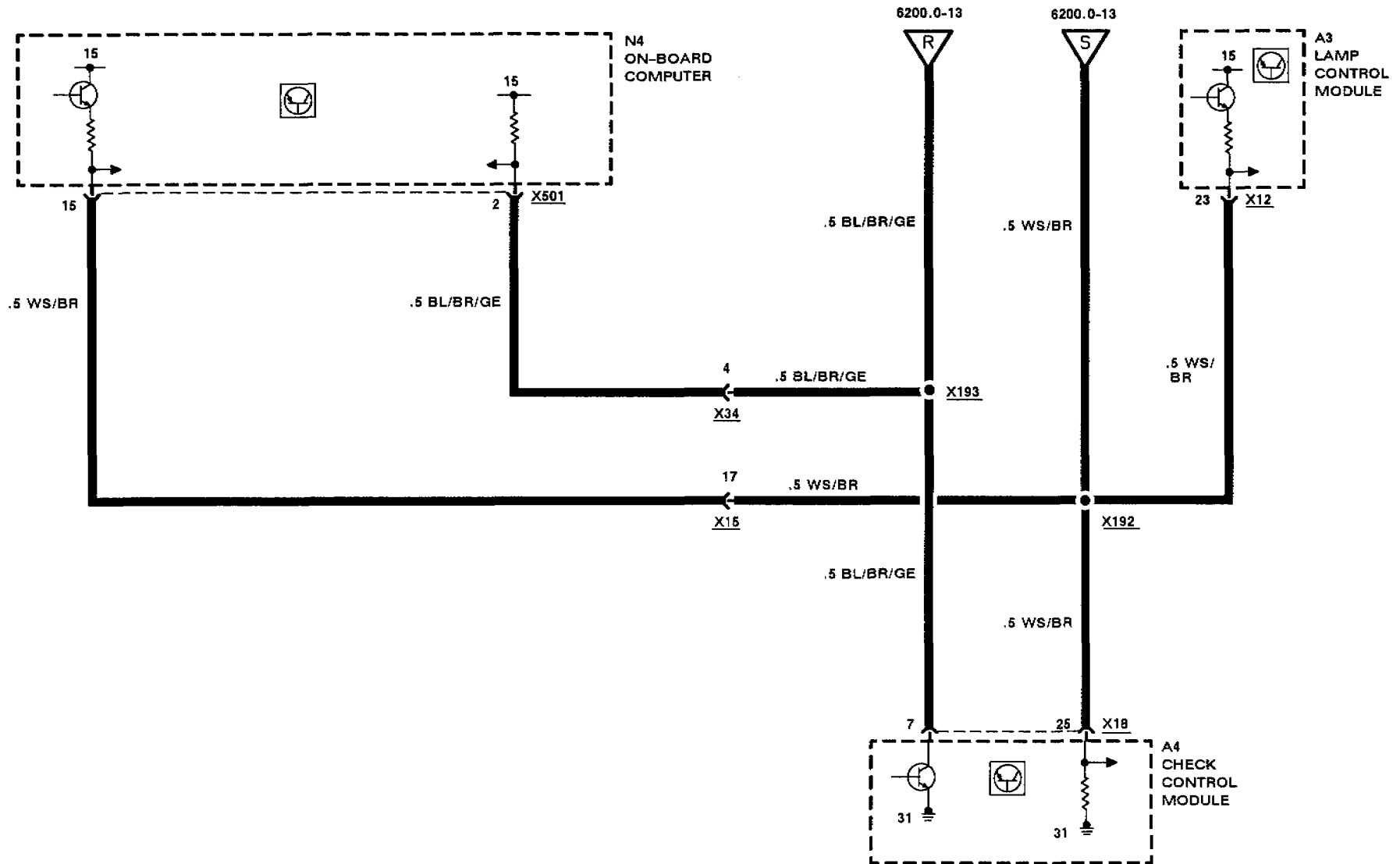
## DATA LINK





# INSTRUMENT CLUSTER/ CHECK CONTROL (K/CC)

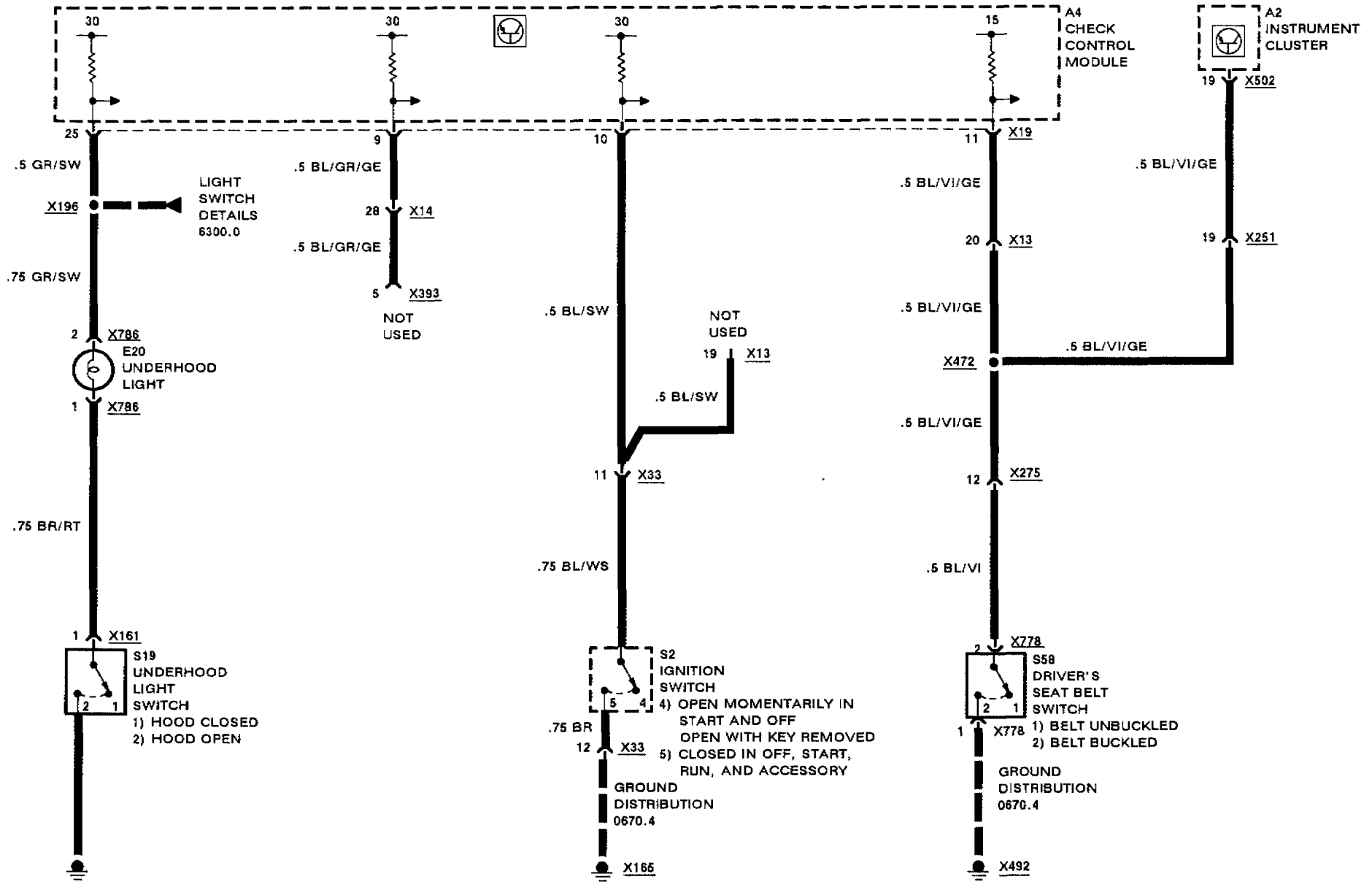
## DATA LINK





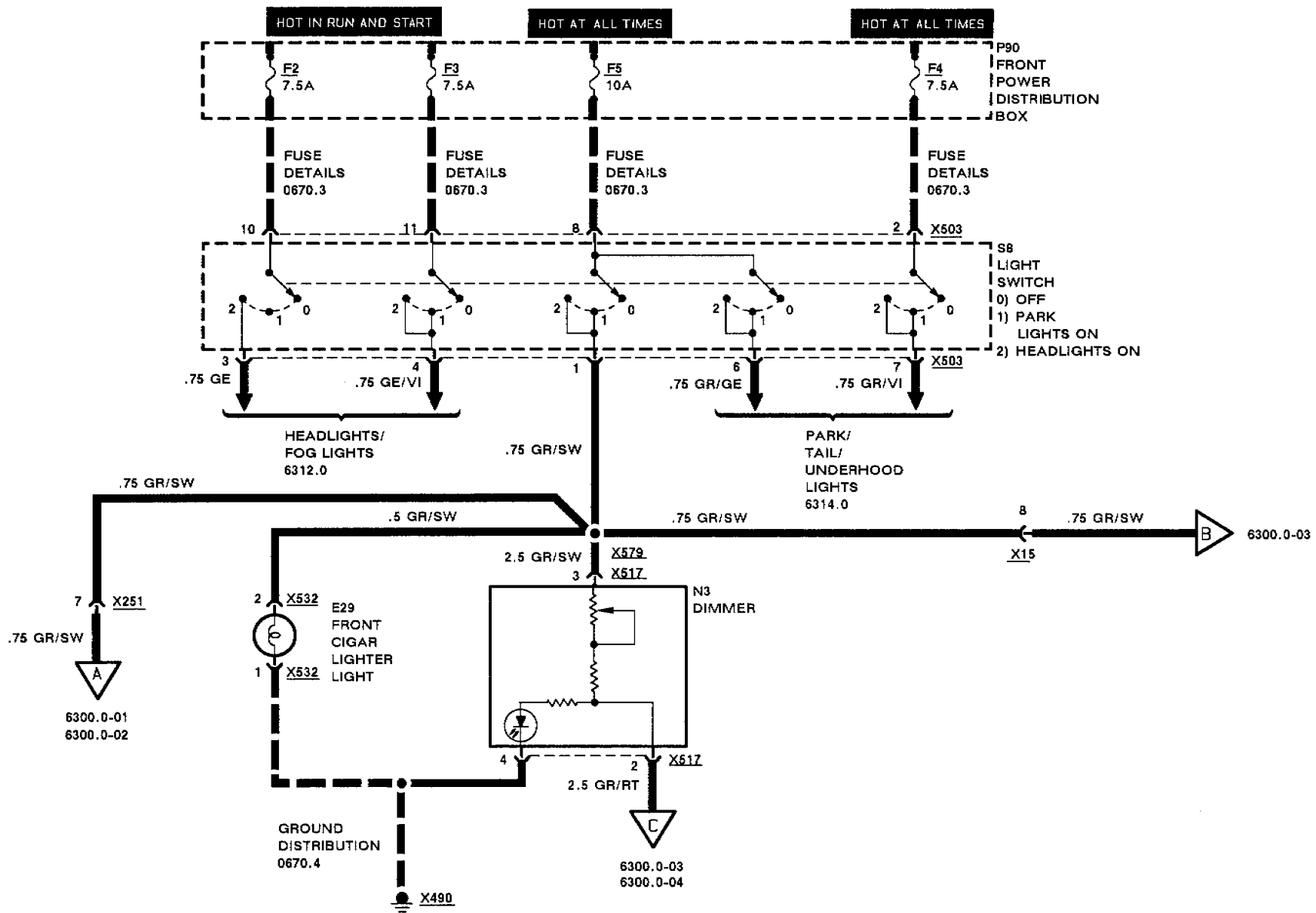
# INSTRUMENT CLUSTER/ CHECK CONTROL (K/CC)

## CHECK CONTROL





# LIGHT SWITCH DETAILS

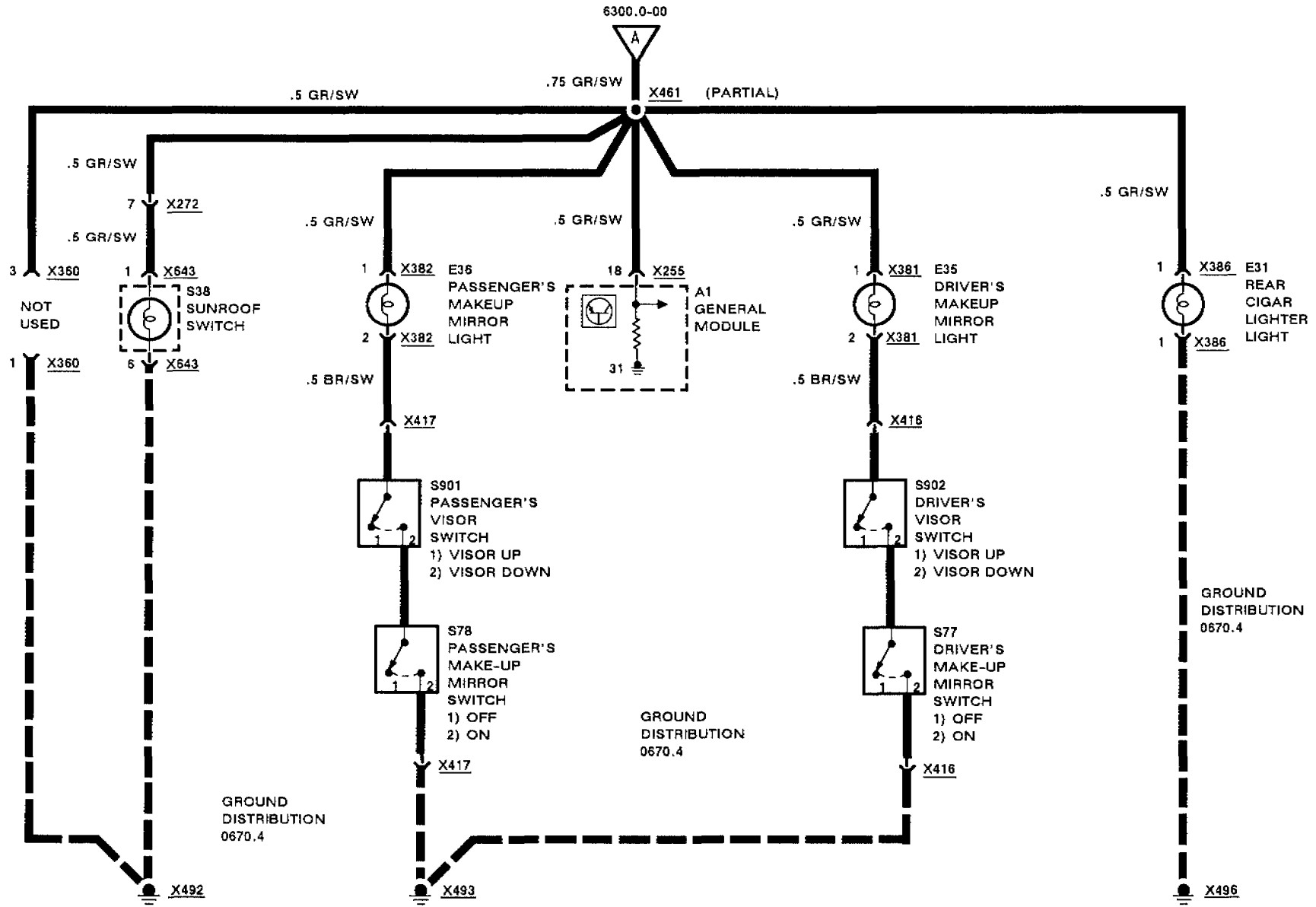


6300.0-01  
6300.0-02

6300.0-03  
6300.0-04

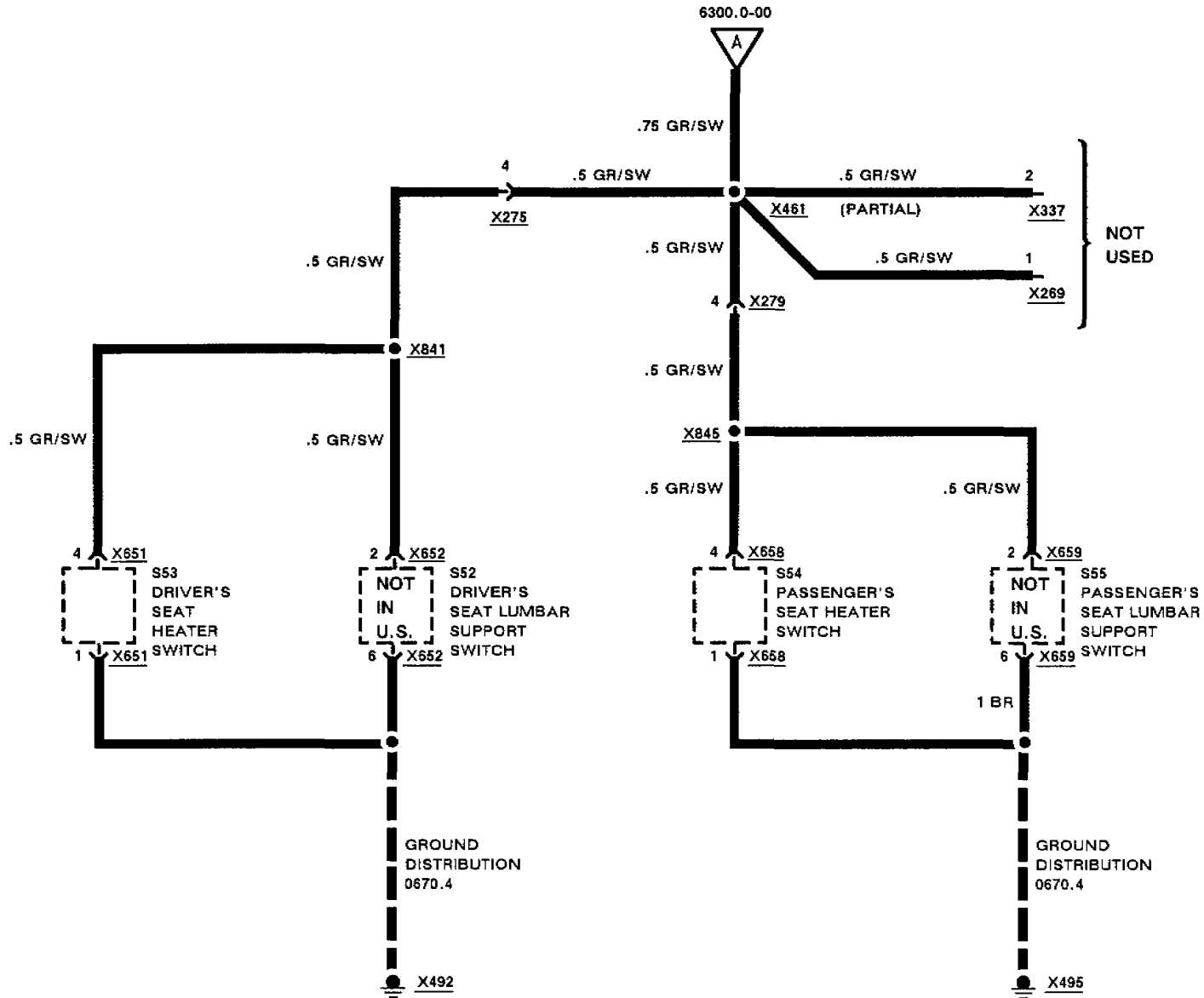


# LIGHT SWITCH DETAILS





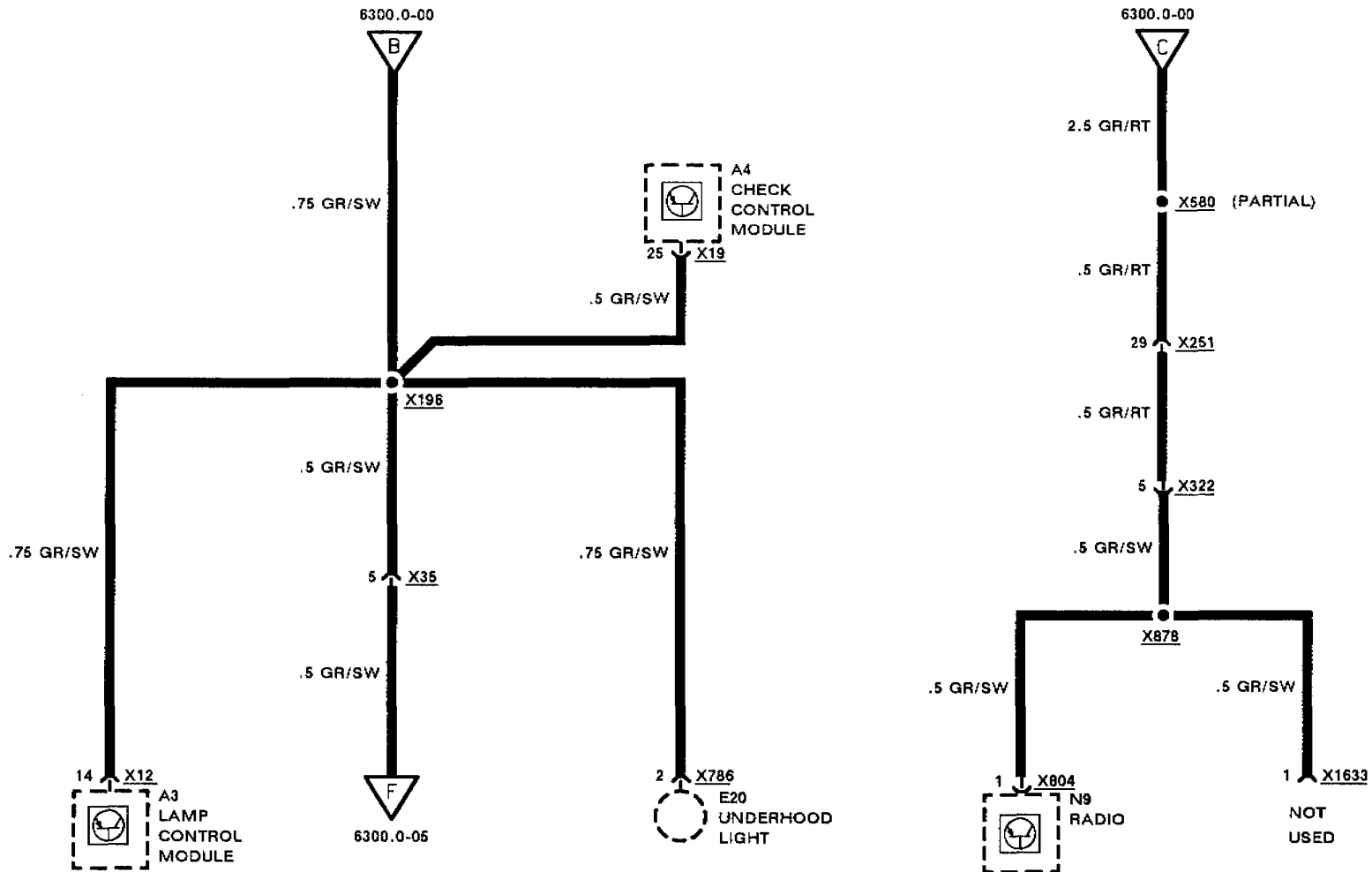
# LIGHT SWITCH DETAILS





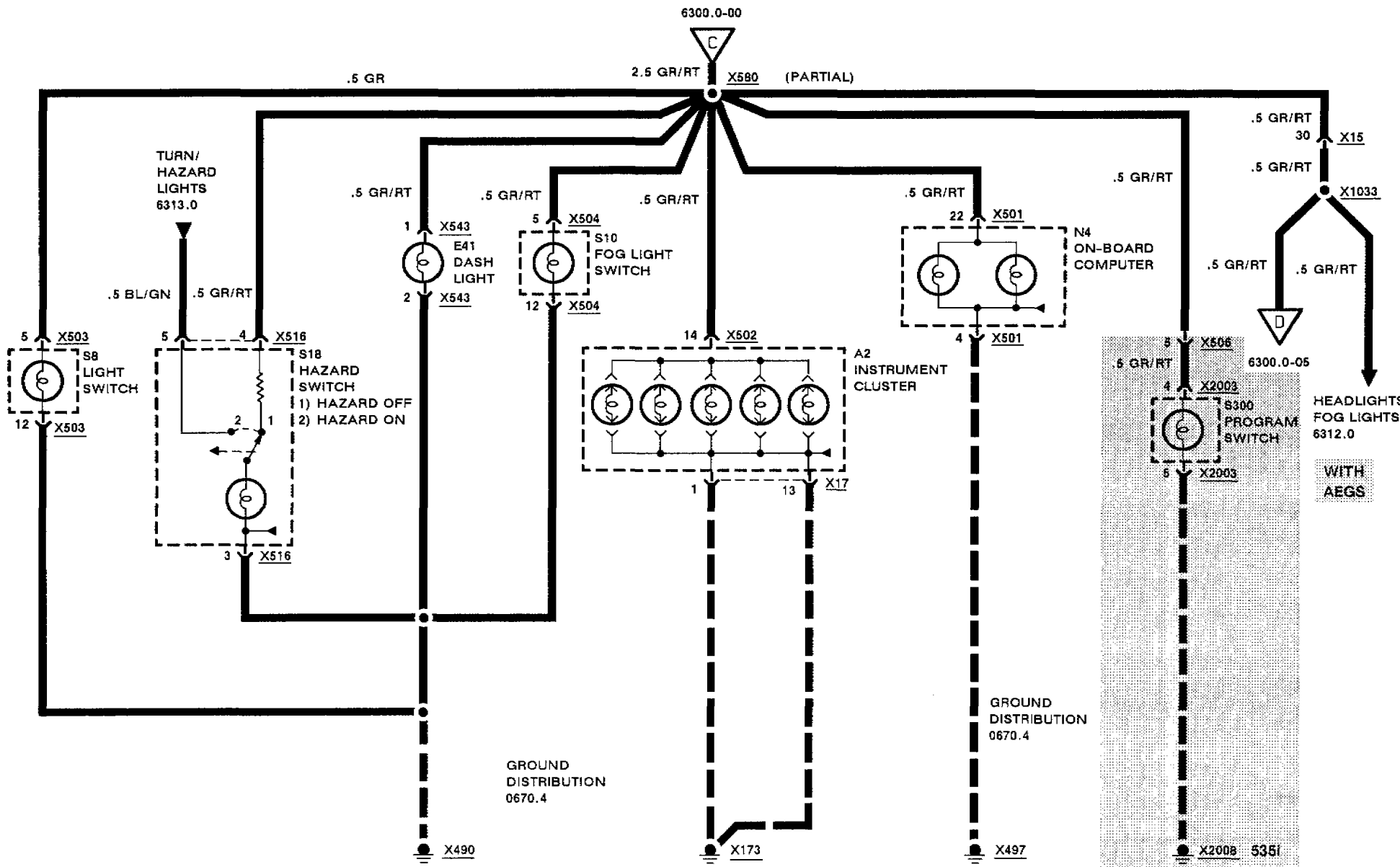


# LIGHT SWITCH DETAILS





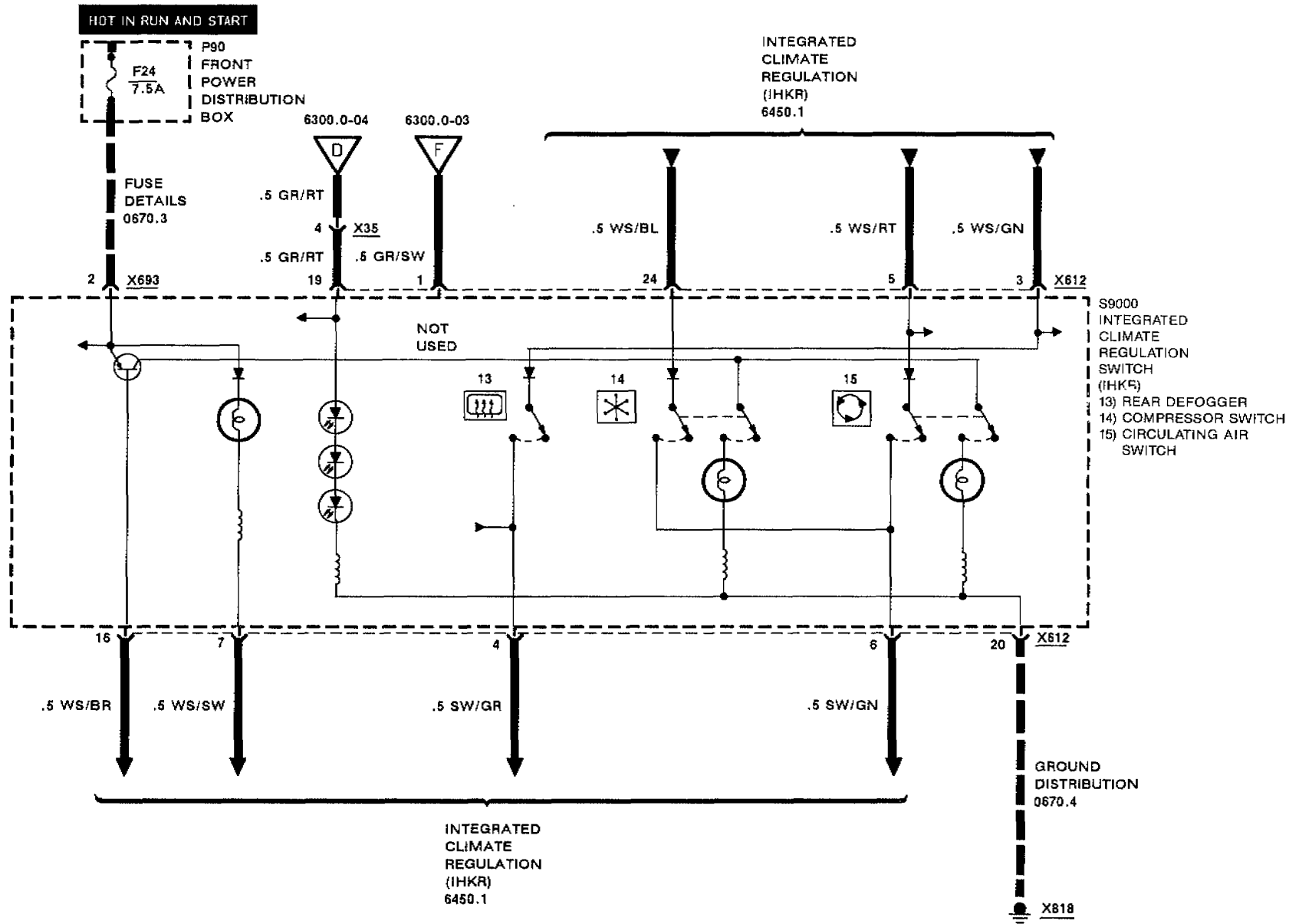
# LIGHT SWITCH DETAILS





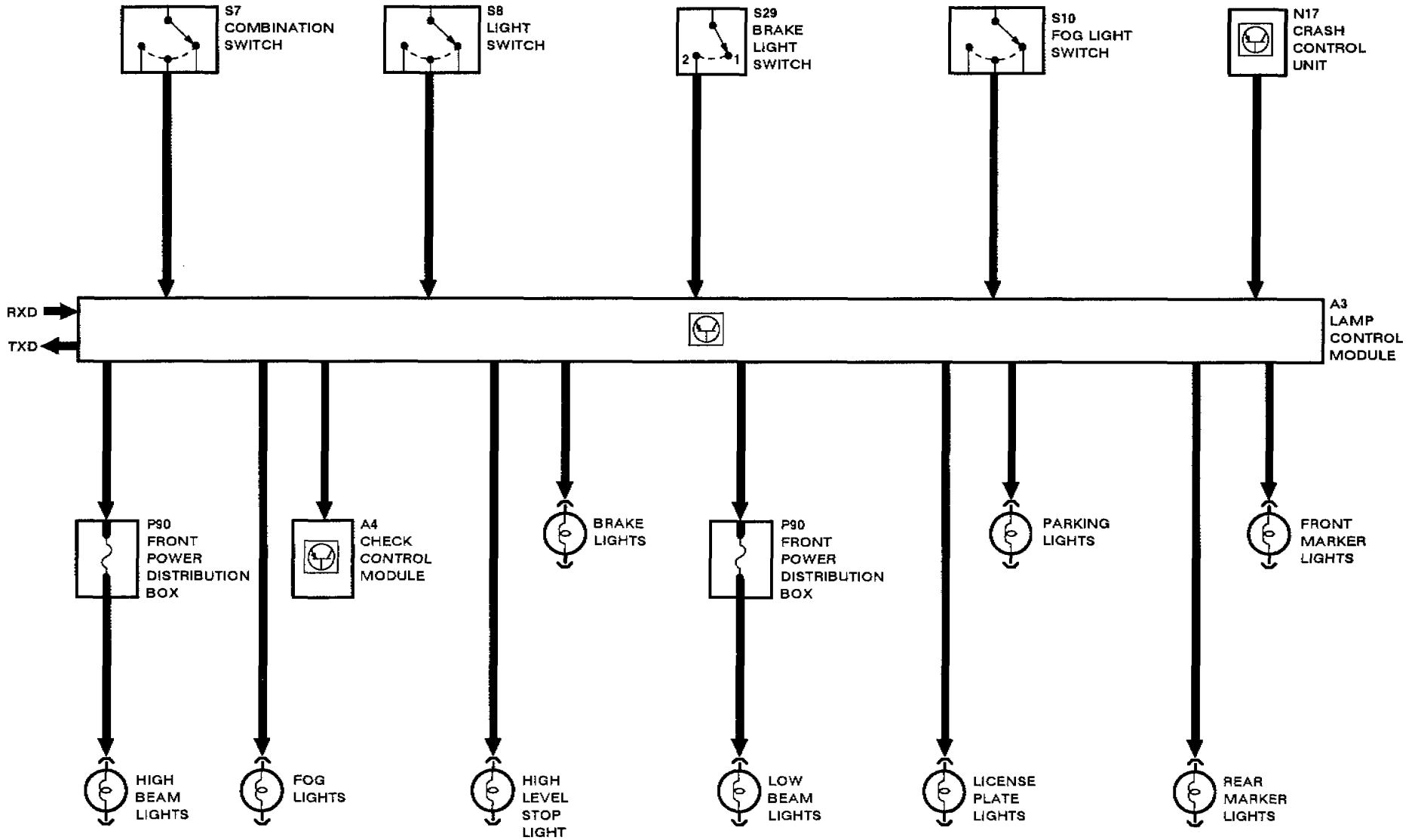
# LIGHT SWITCH DETAILS

IHKR



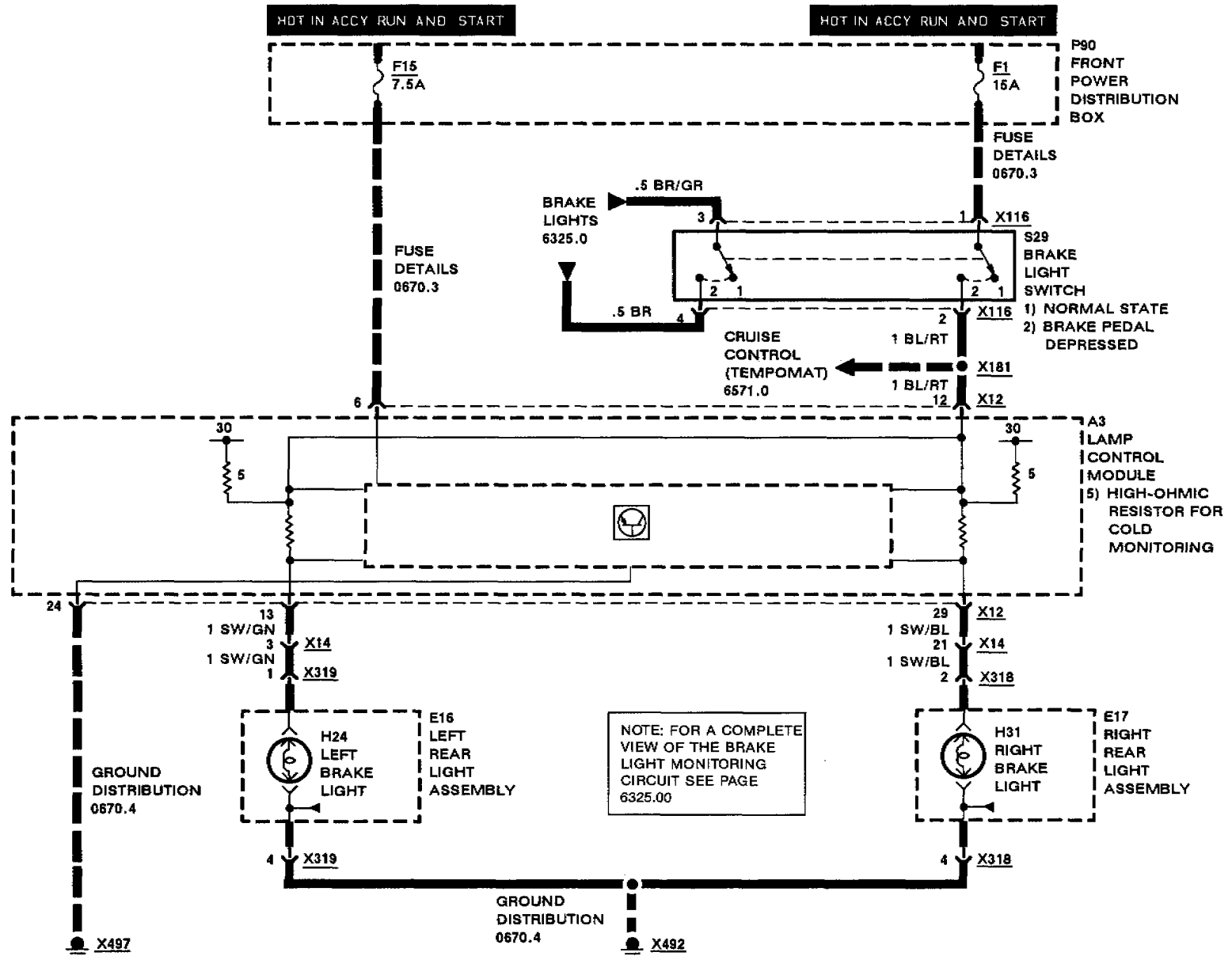


# LAMP MONITOR (LKM)



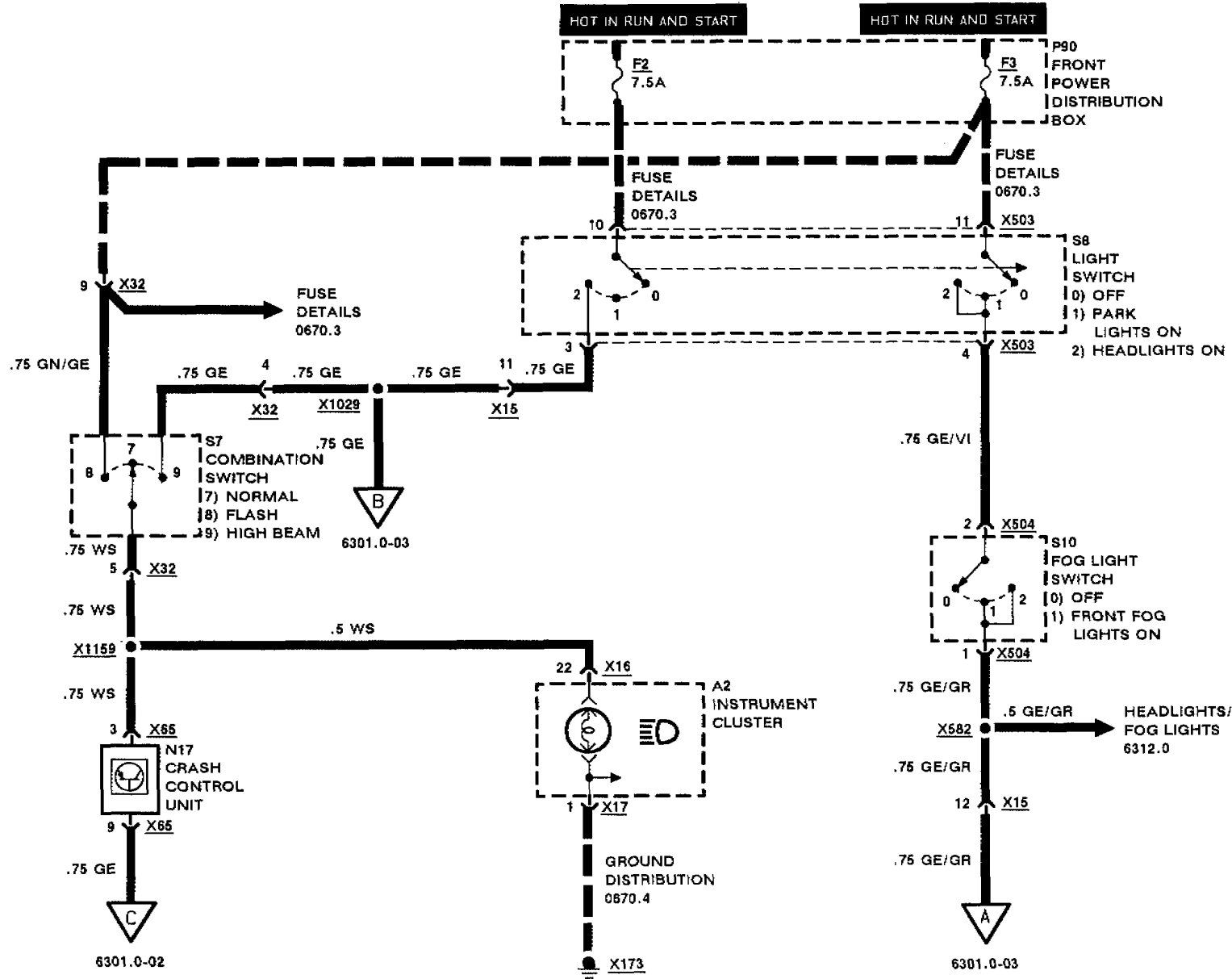


# LAMP MONITOR (LKM)



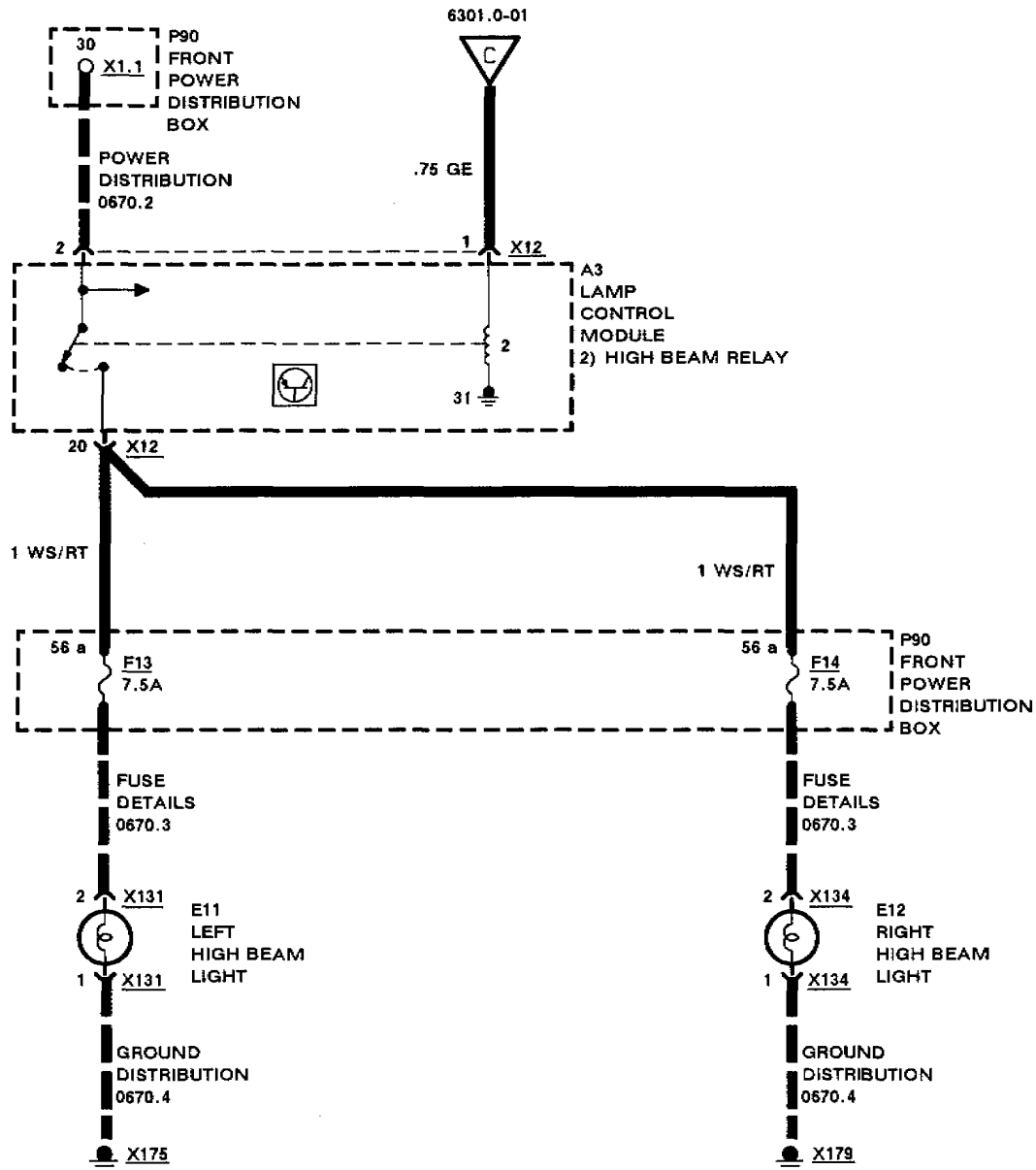


# LAMP MONITOR (LKM)



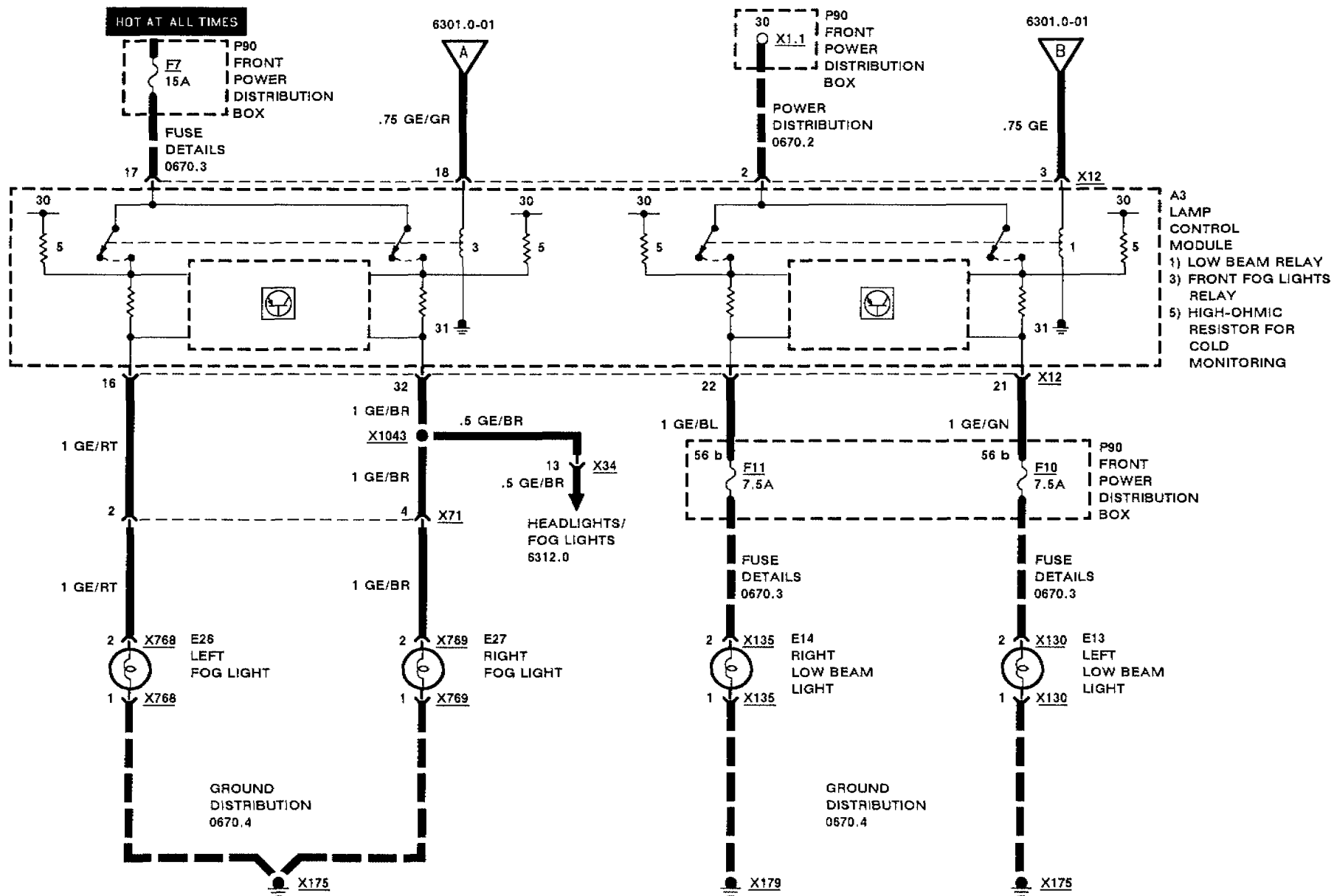


# LAMP MONITOR (LKM)





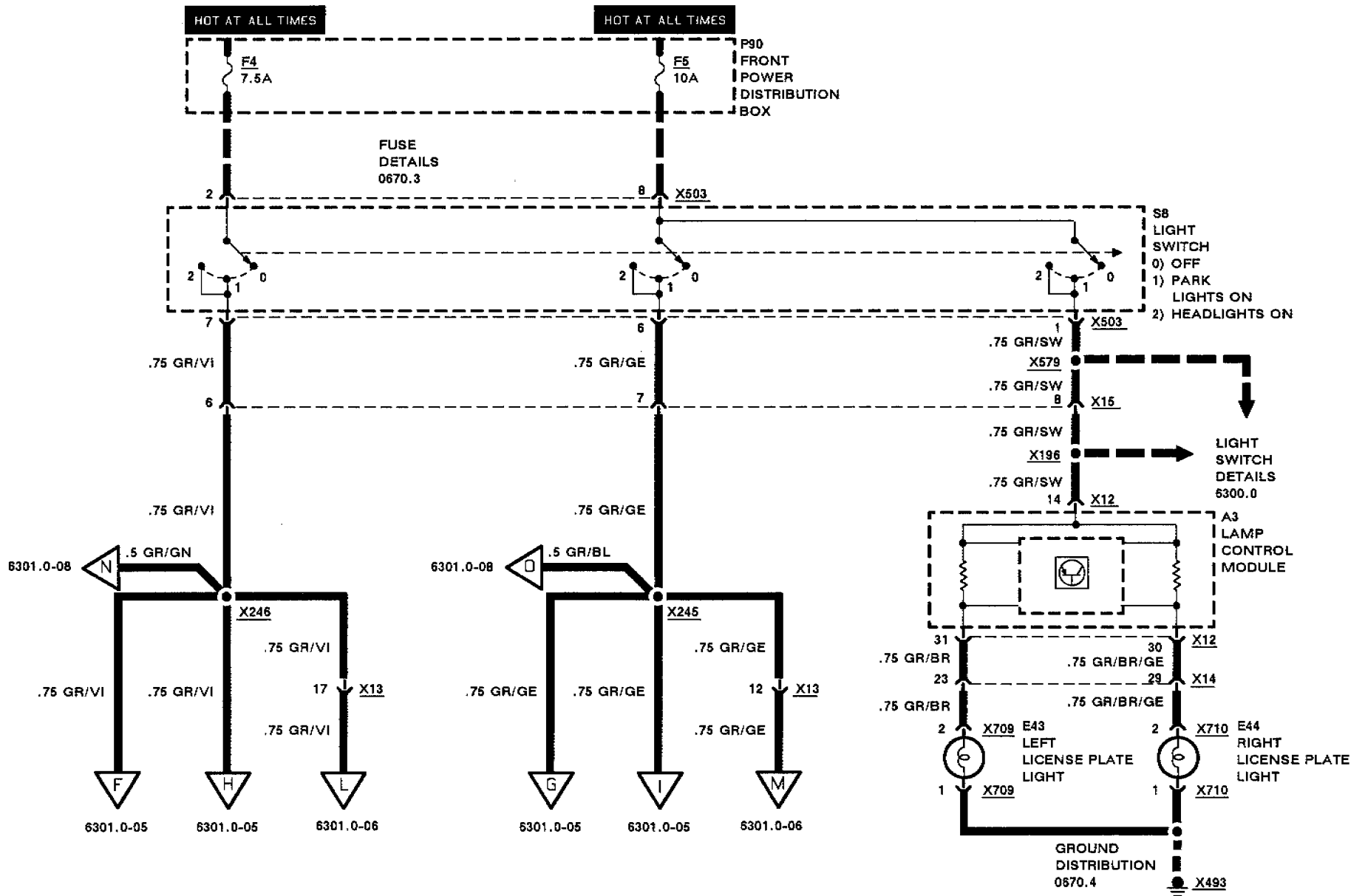
# LAMP MONITOR (LKM)





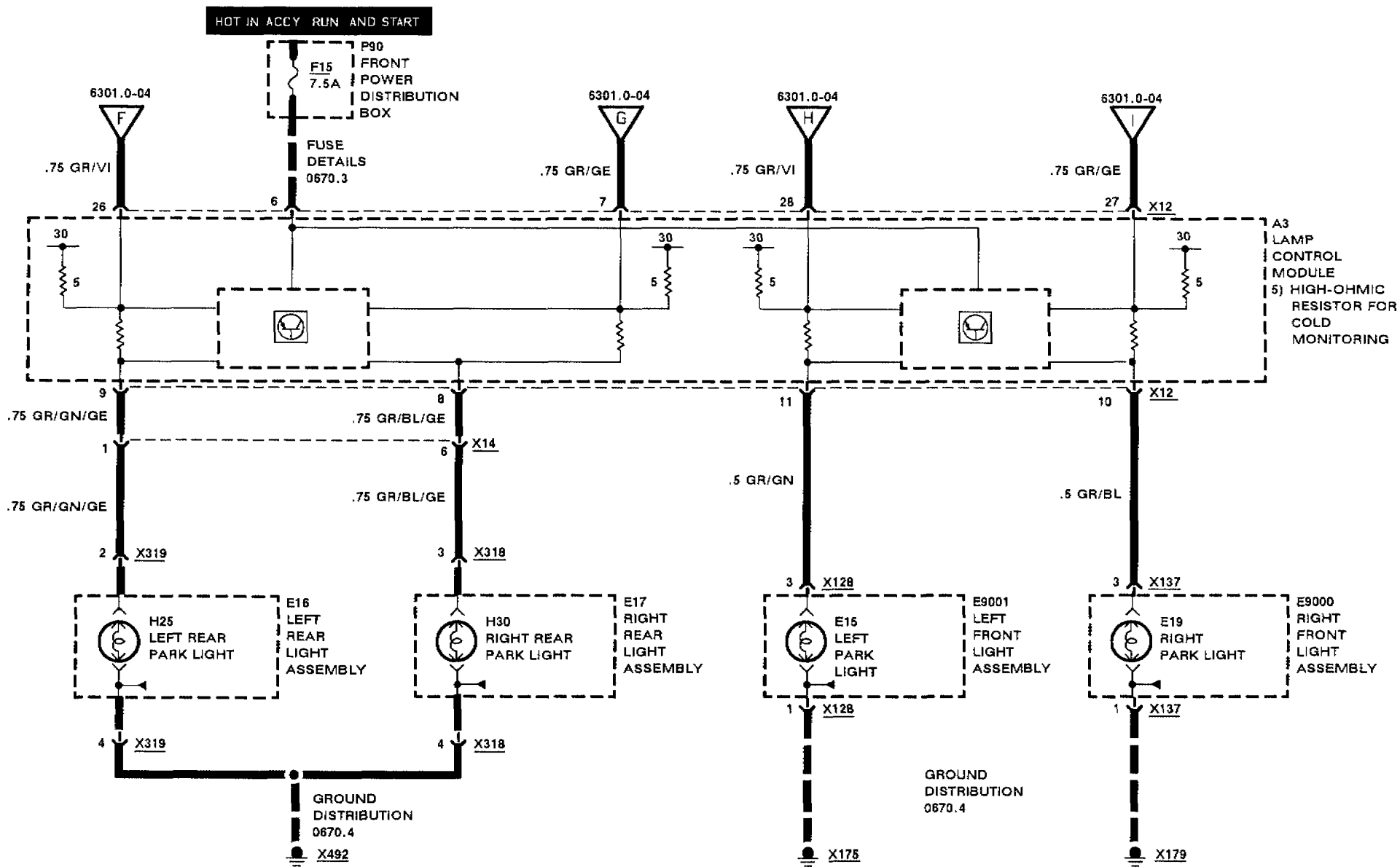


# LAMP MONITOR (LKM)



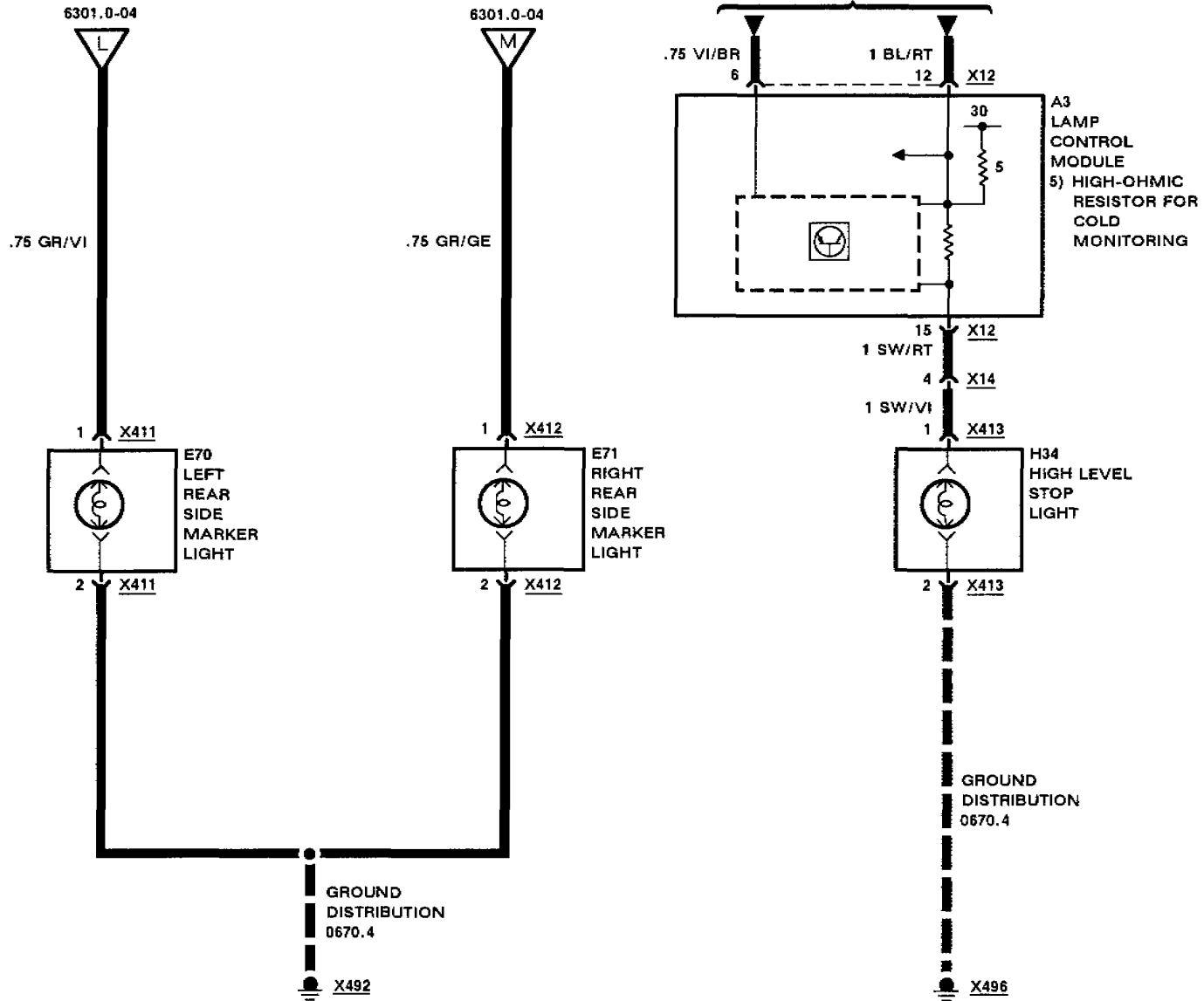


# LAMP MONITOR (LKM)

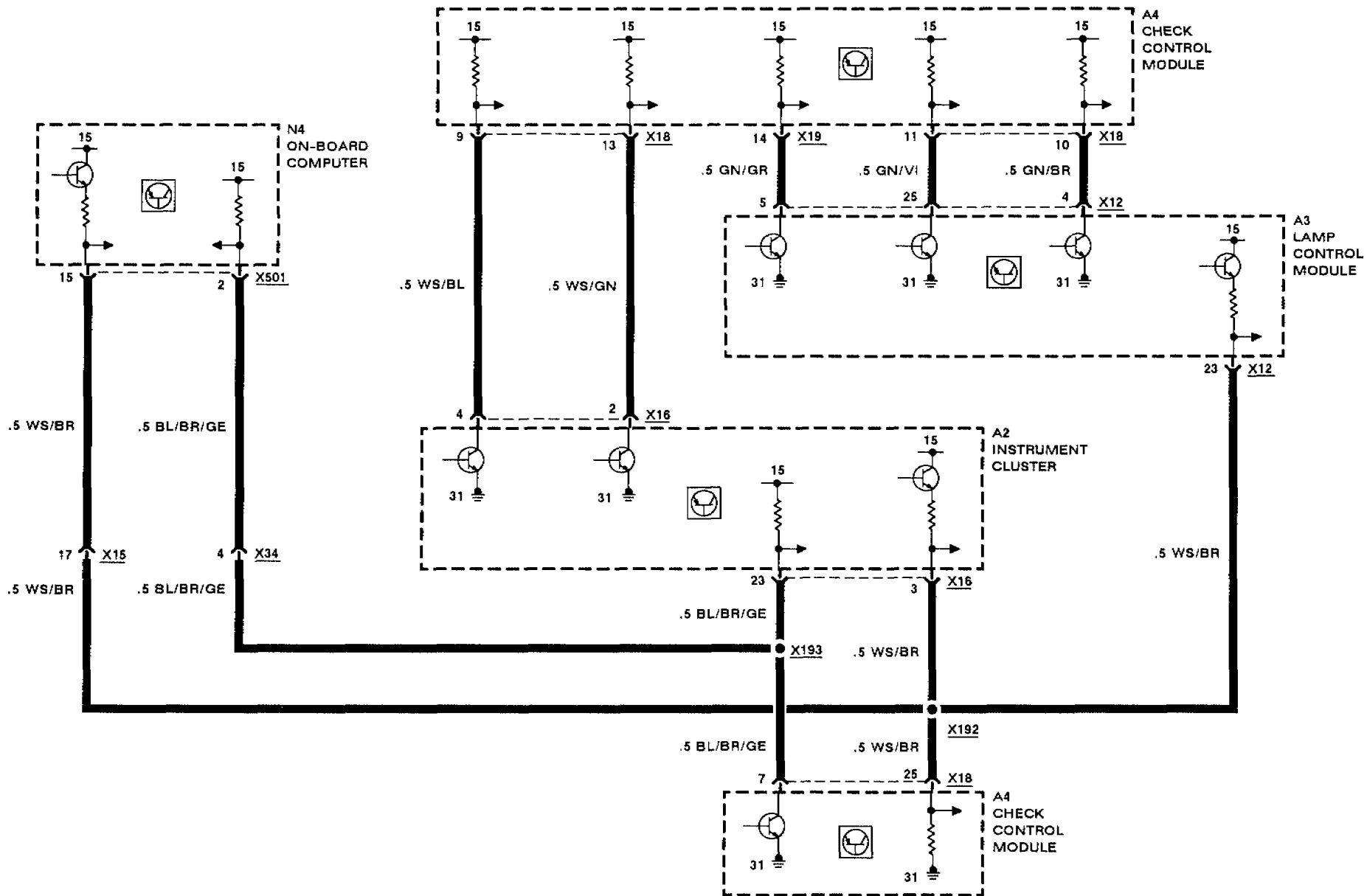




# LAMP MONITOR (LKM)

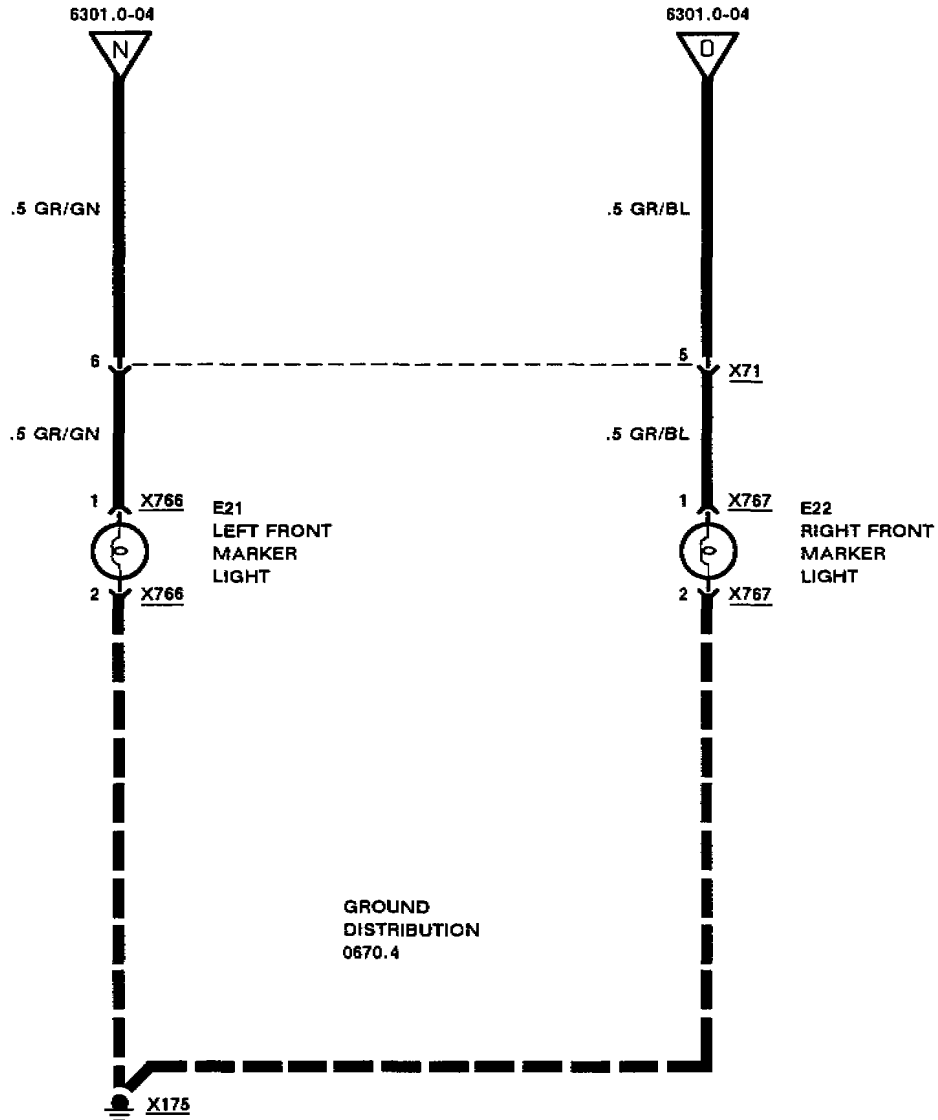


**BMW 5 LAMP MONITOR (LKM) DATA LINK**



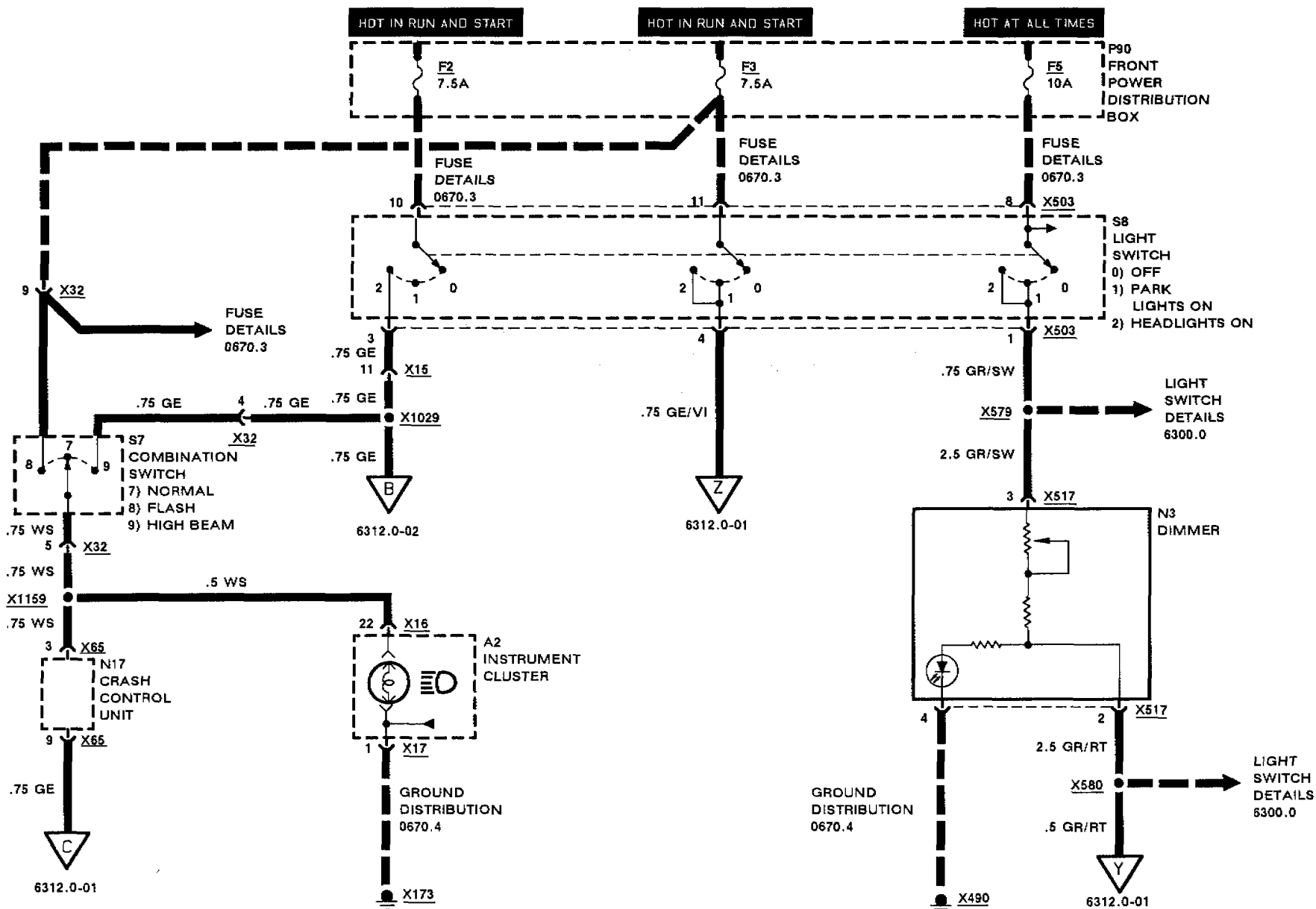


# LAMP MONITOR (LKM)

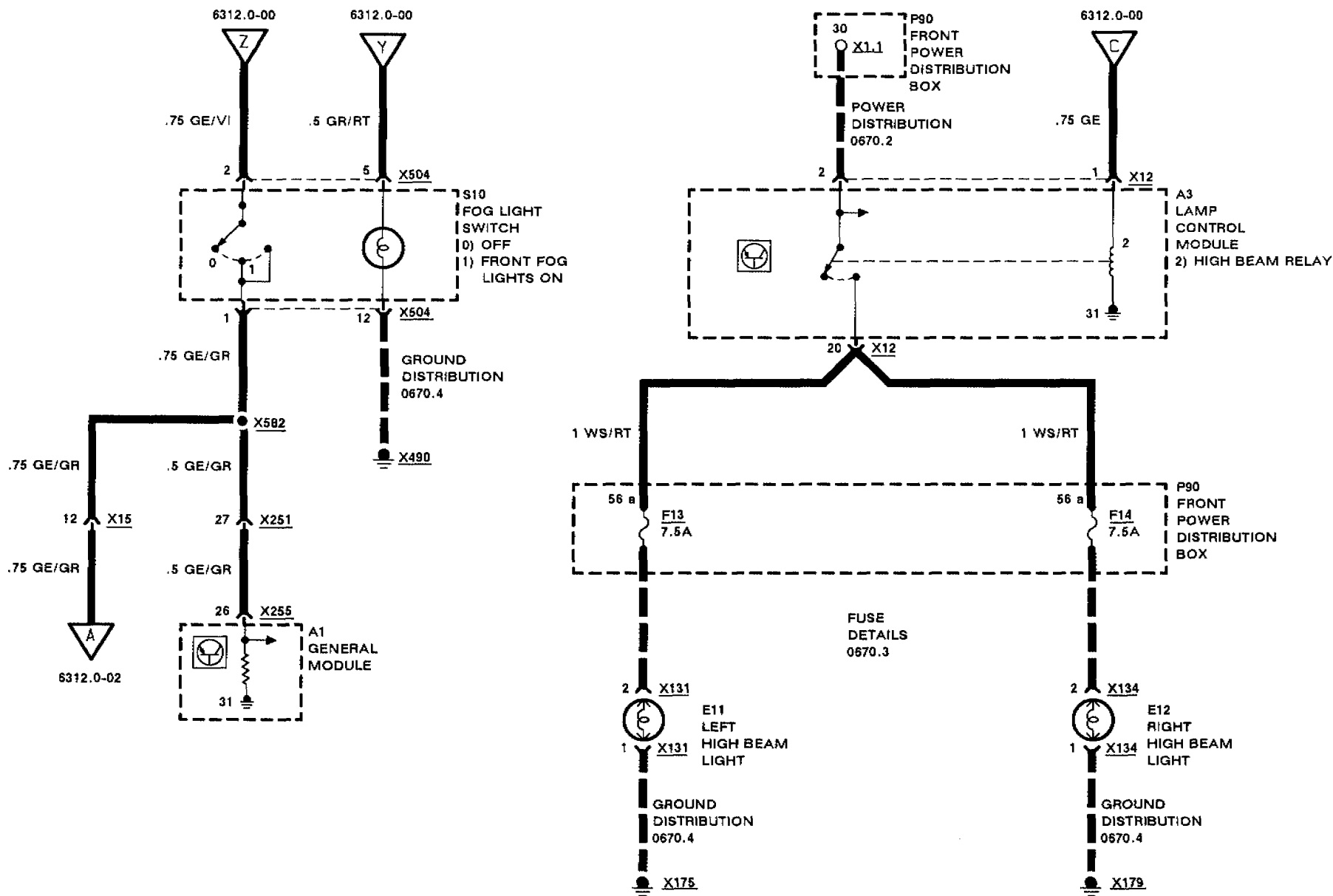




# HEADLIGHTS/ FOG LIGHTS

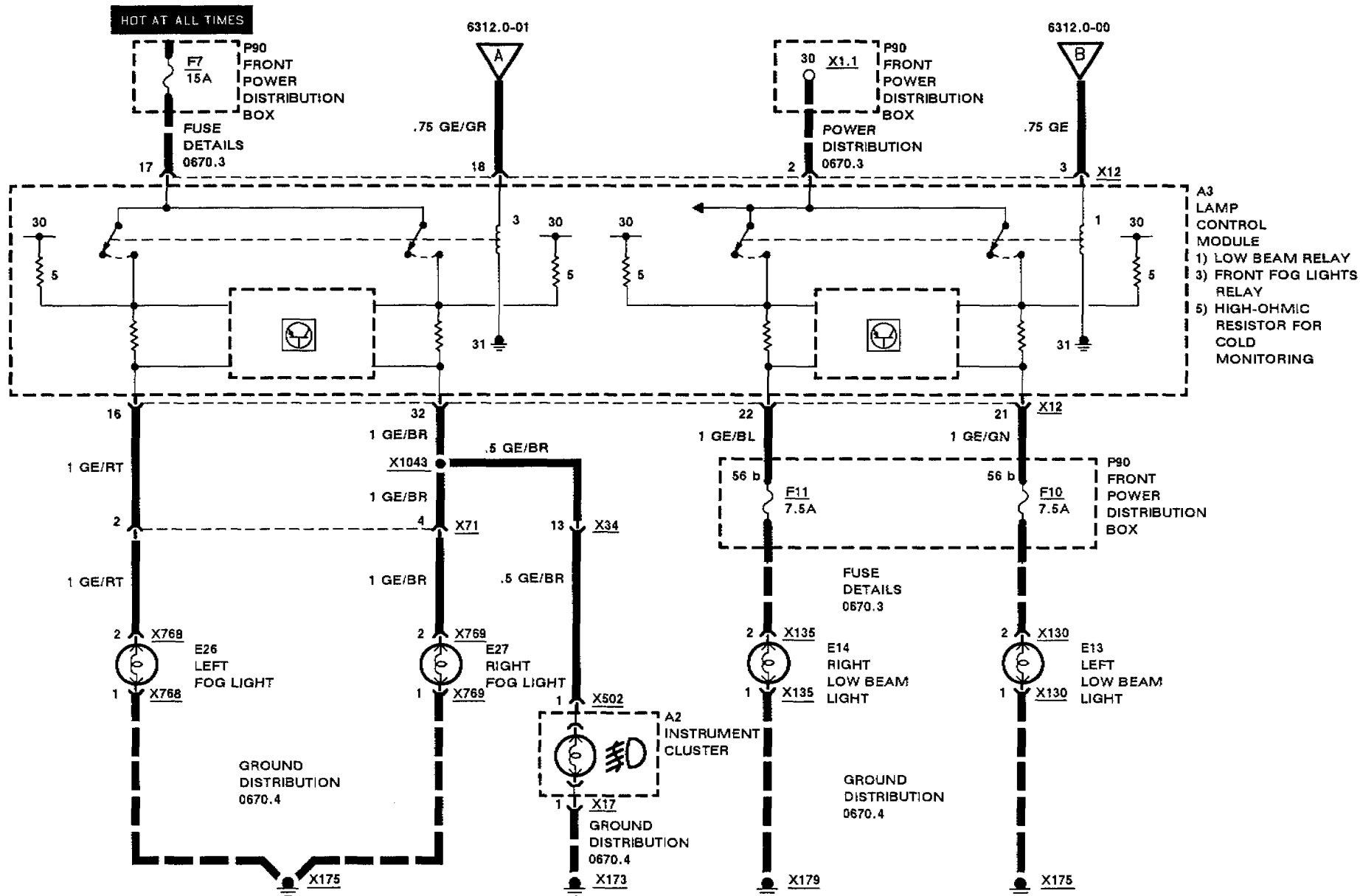


# HEADLIGHTS/ FOG LIGHTS





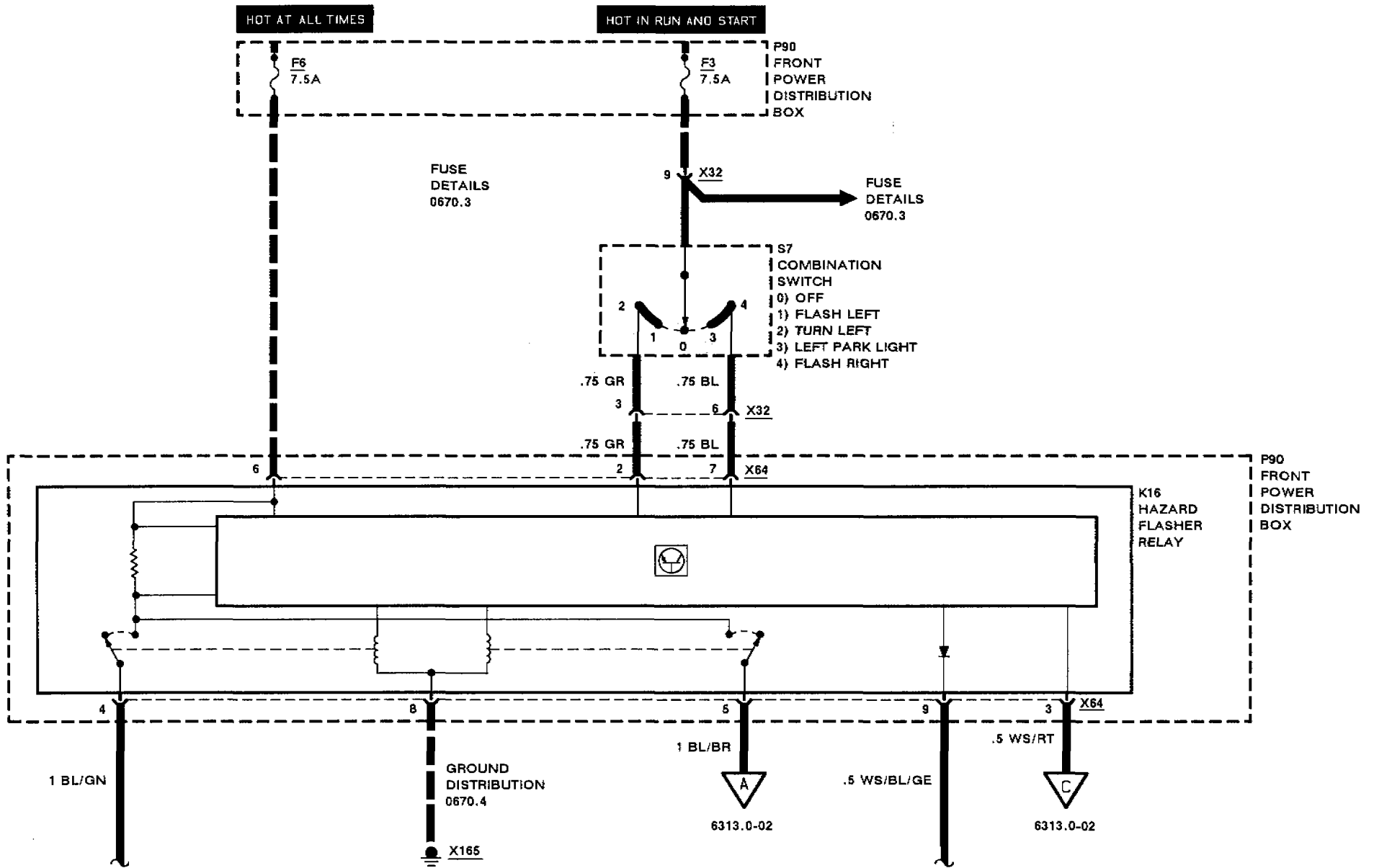
# HEADLIGHTS/ FOG LIGHTS

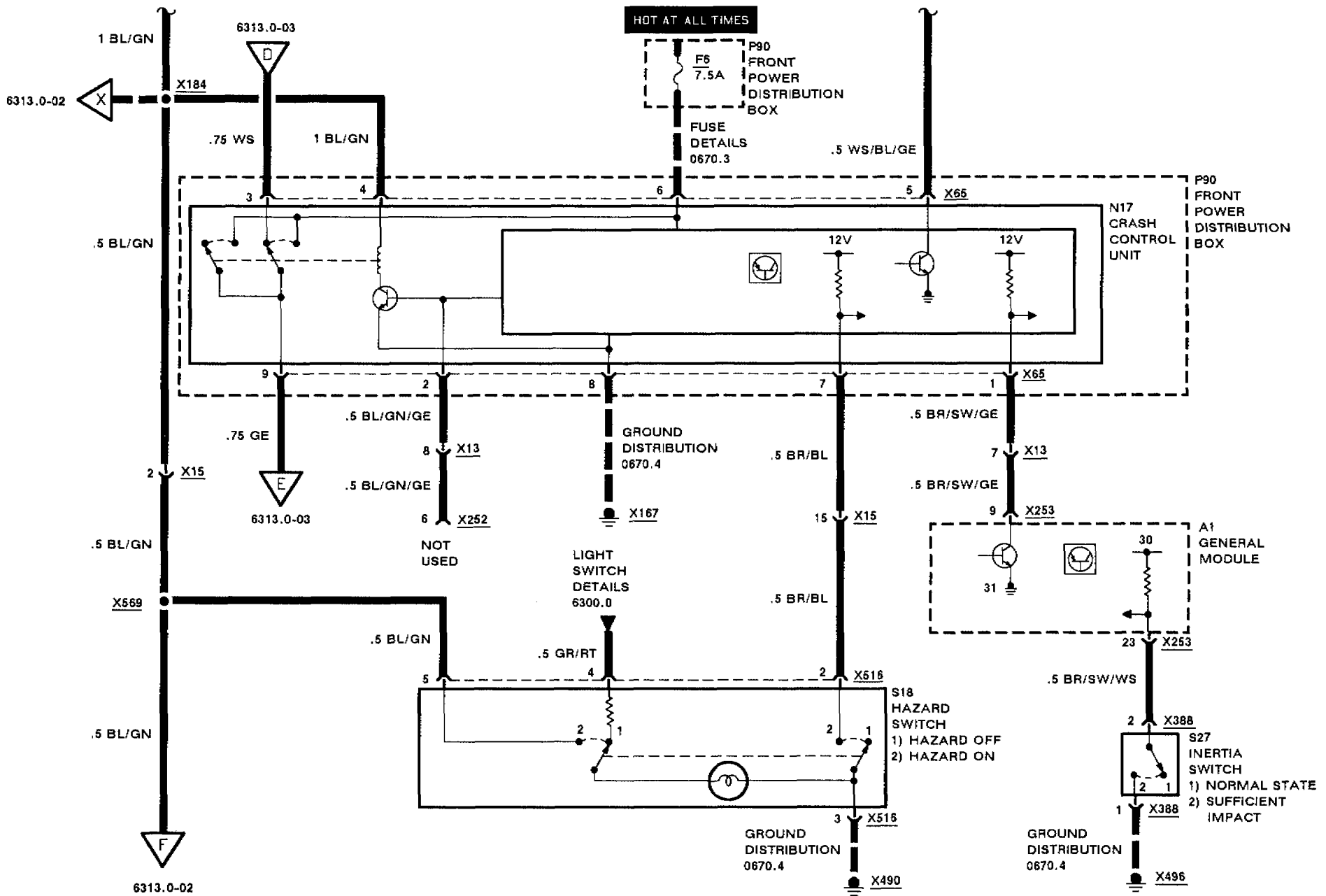




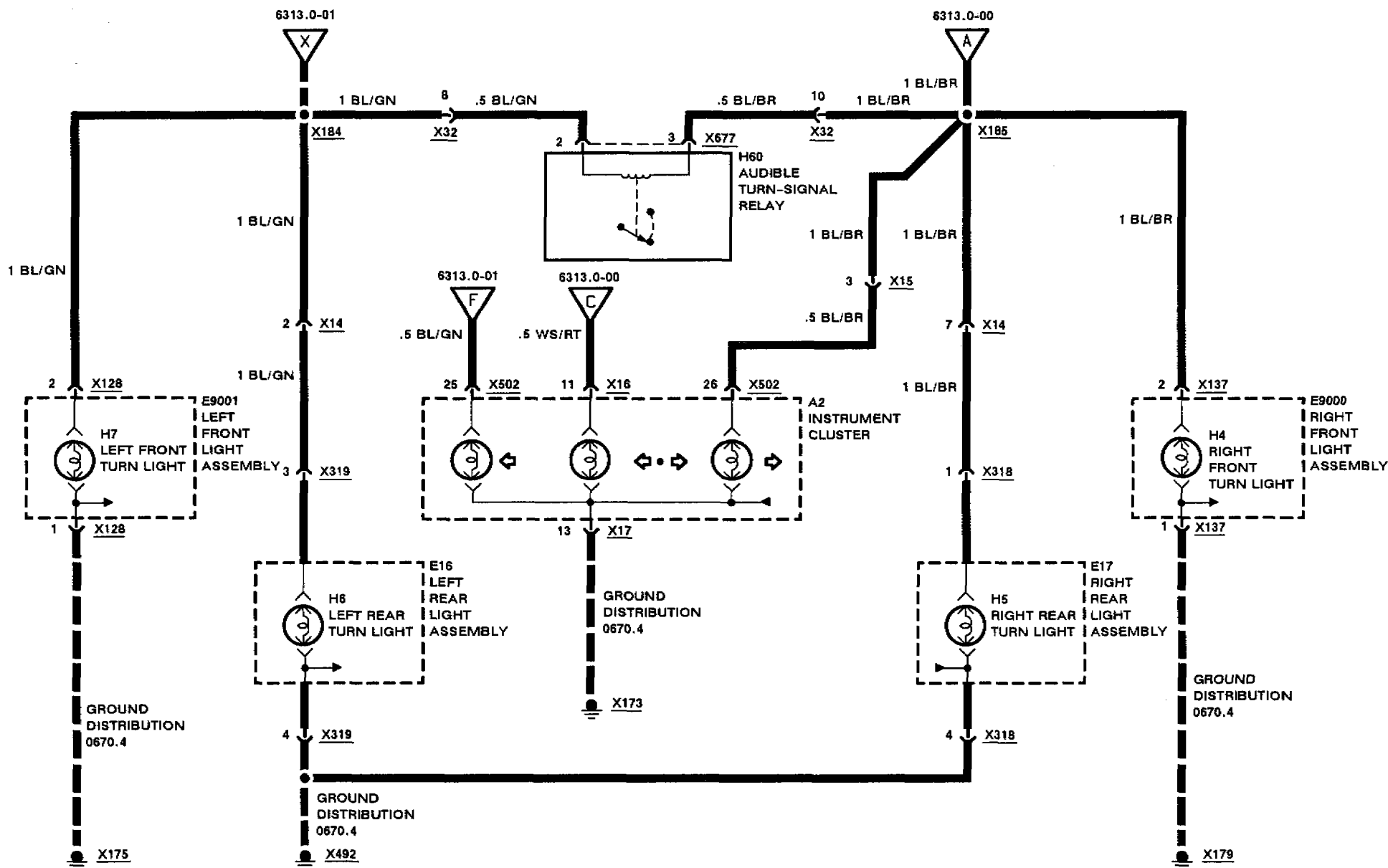


# TURN/ HAZARD LIGHTS



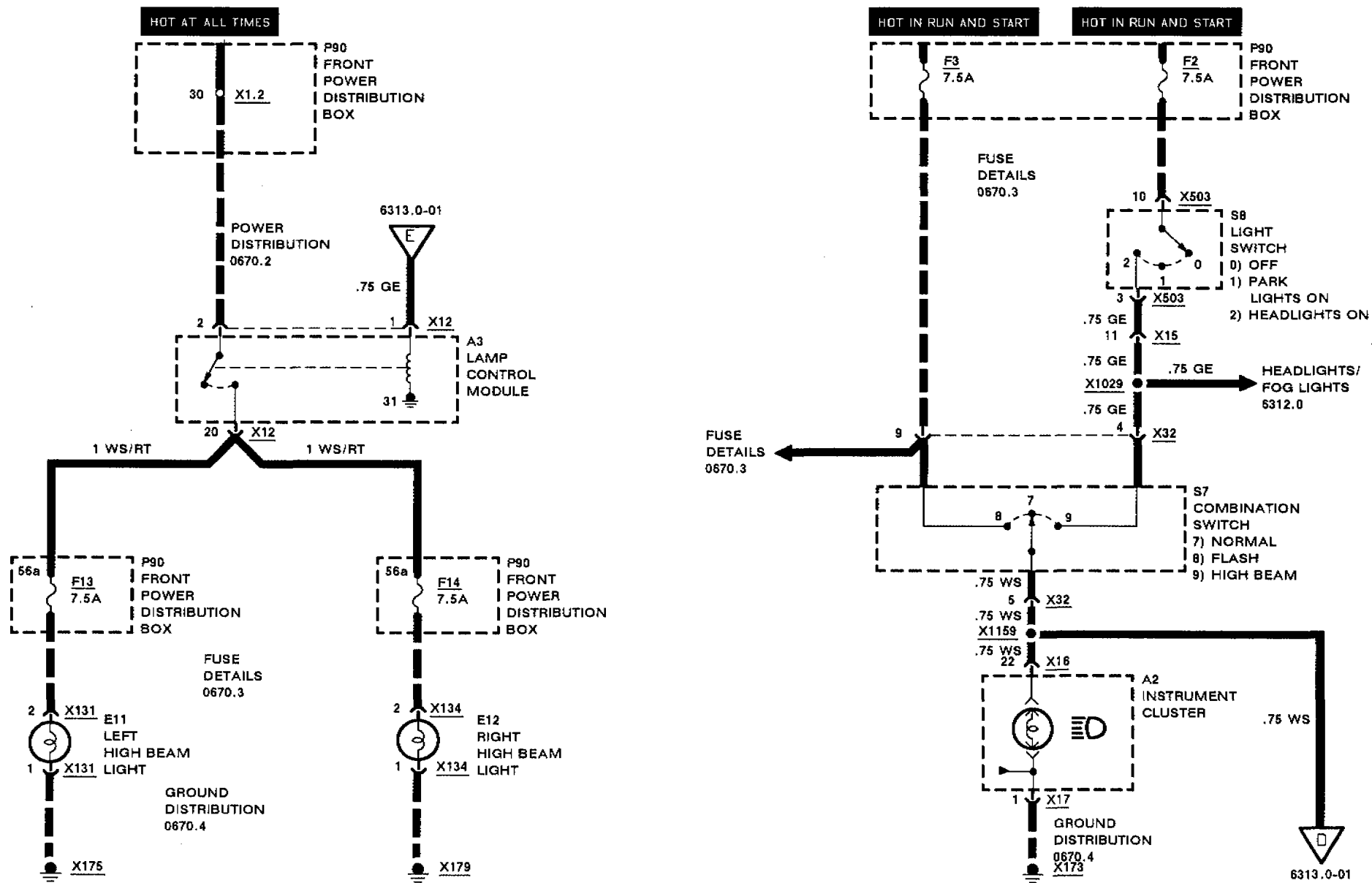


# TURN/ HAZARD LIGHTS



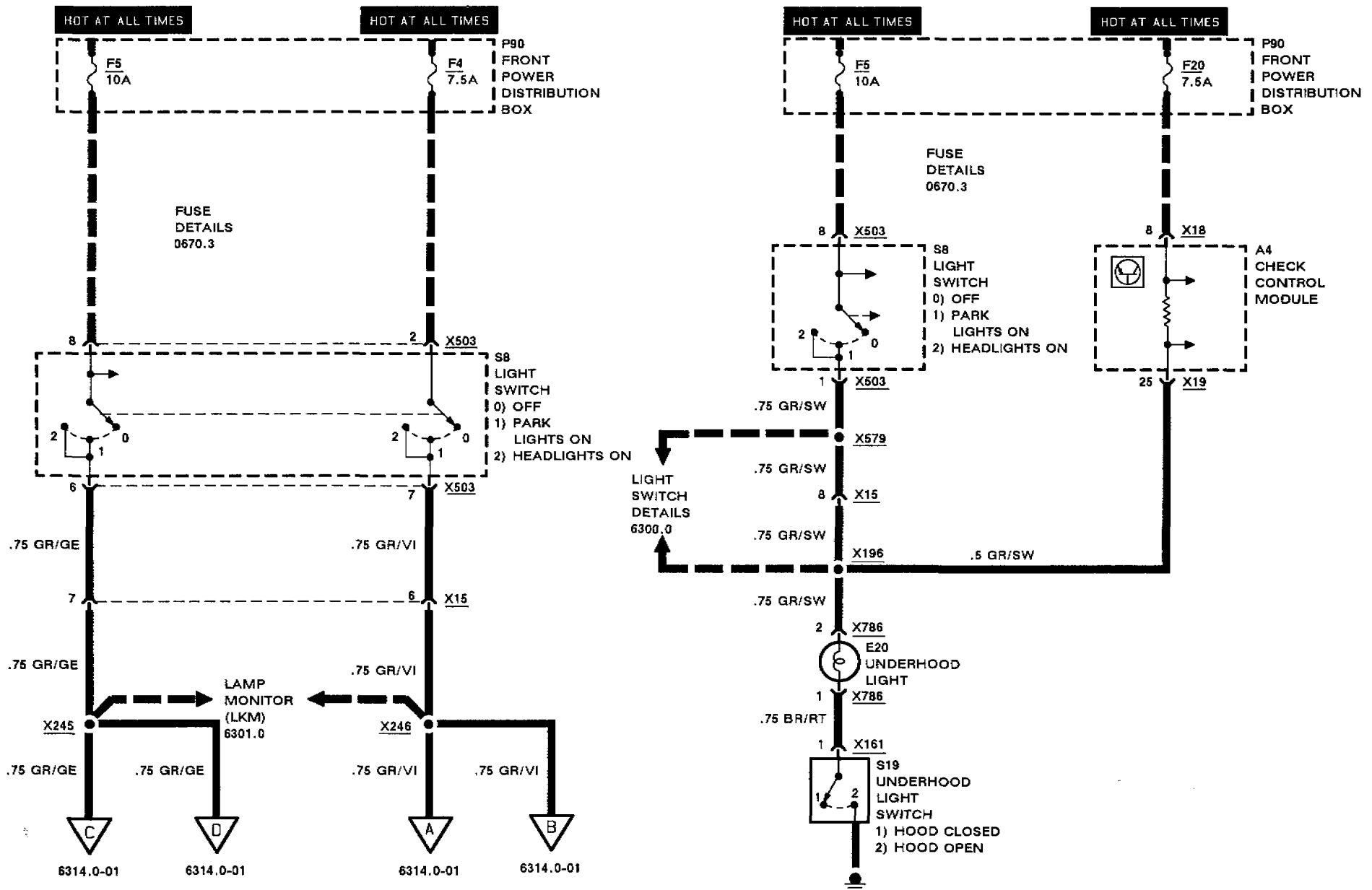


# TURN/ HAZARD LIGHTS





# PARK/ TAIL/ UNDERHOOD LIGHTS



2/89

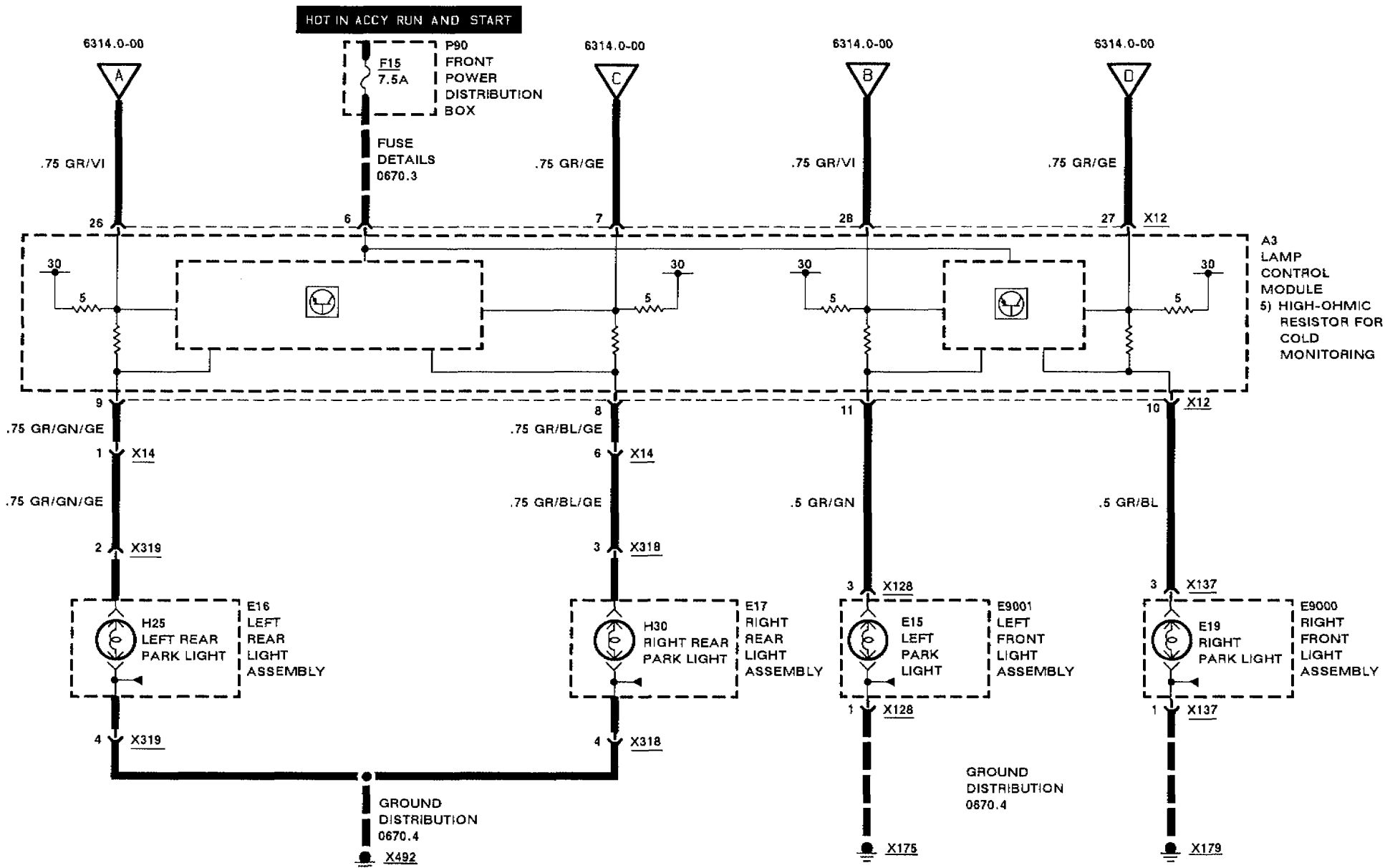
6314.0-00

1989



# PARK/ TAIL/ UNDERHOOD LIGHTS

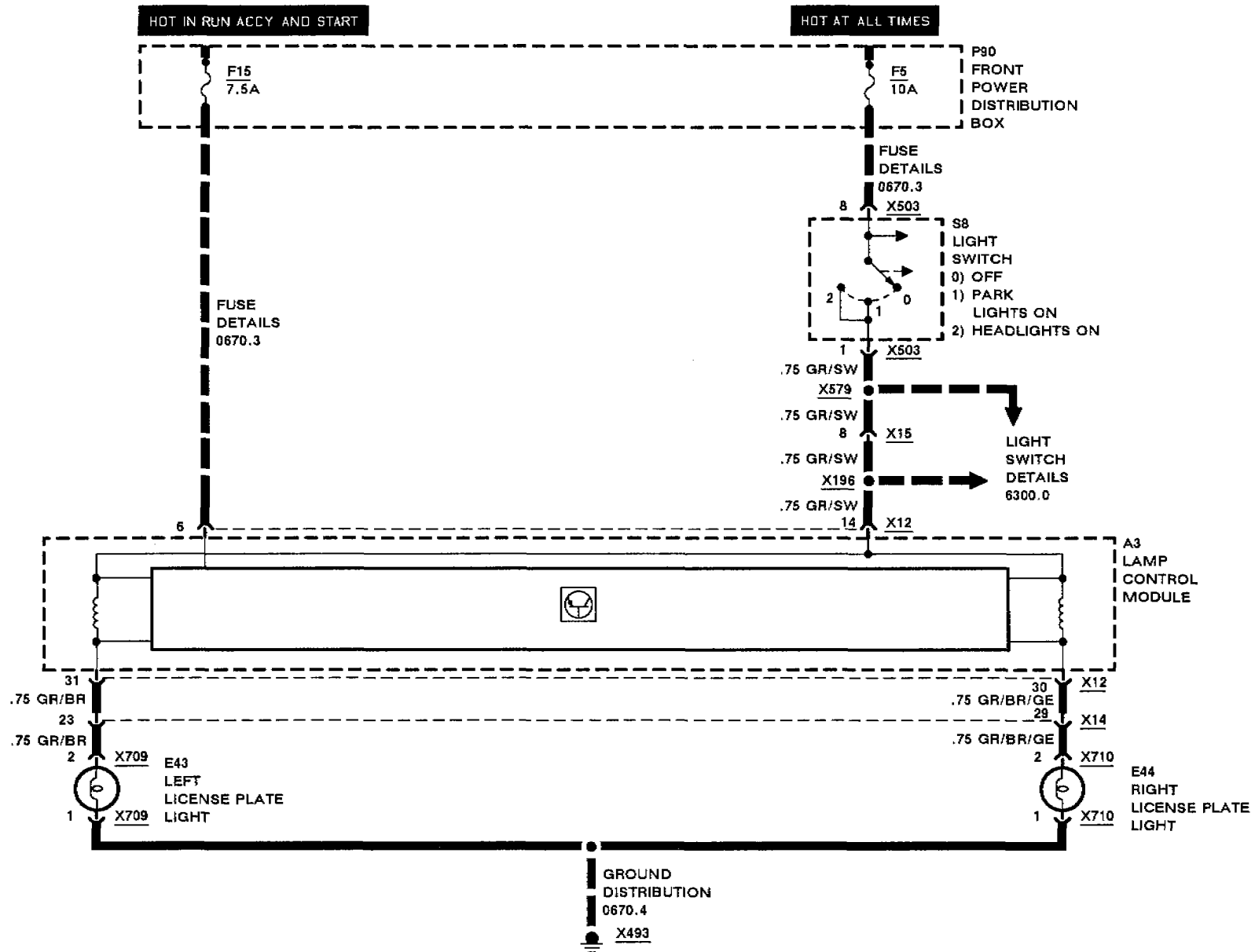
## FRONT AND REAR PARK LIGHTS



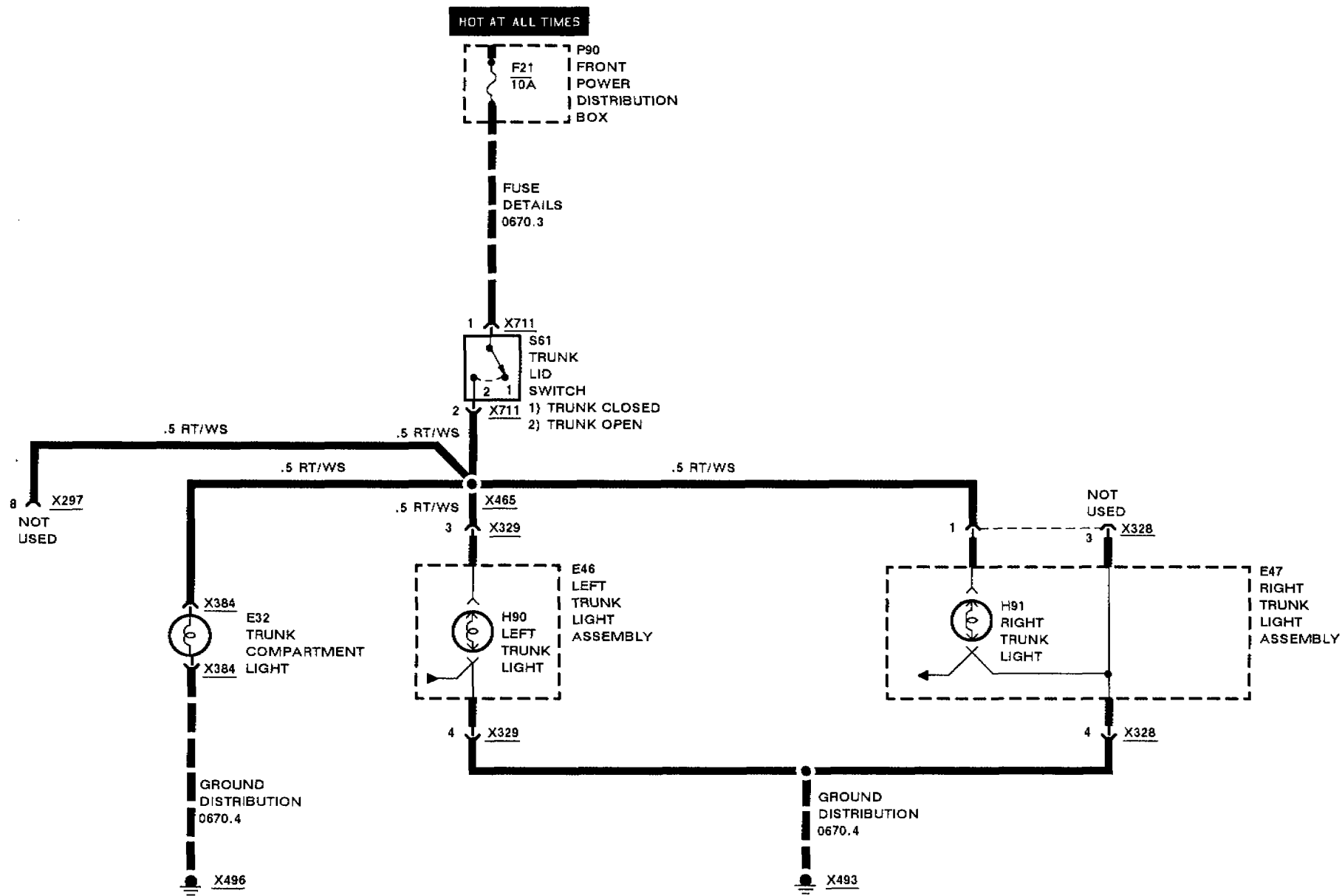


# LICENSE/ TRUNK LIGHTS

## LICENSE LIGHTS



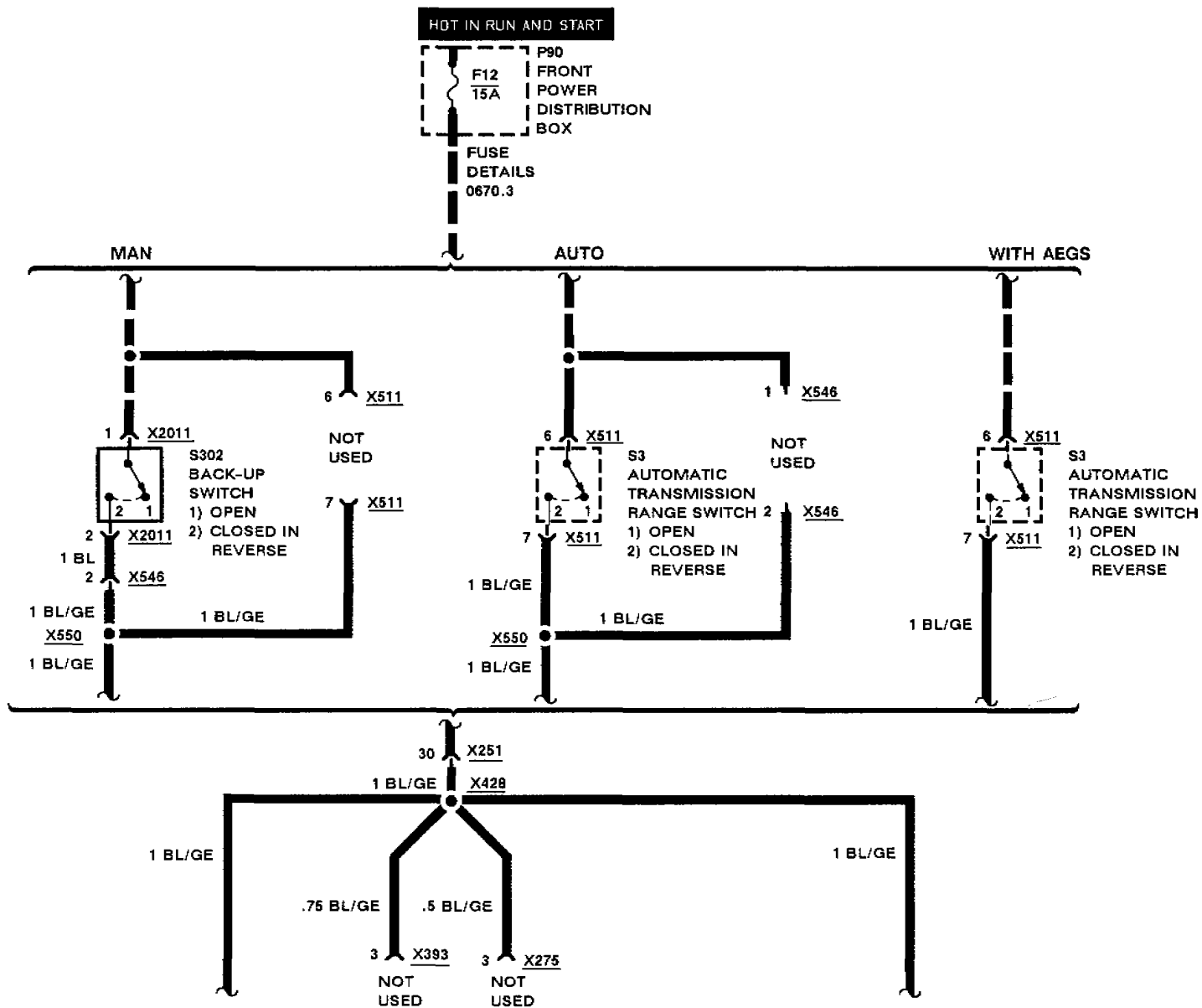
**BMW 5 LICENSE/ TRUNK LIGHTS**  
**TRUNK LIGHTS**

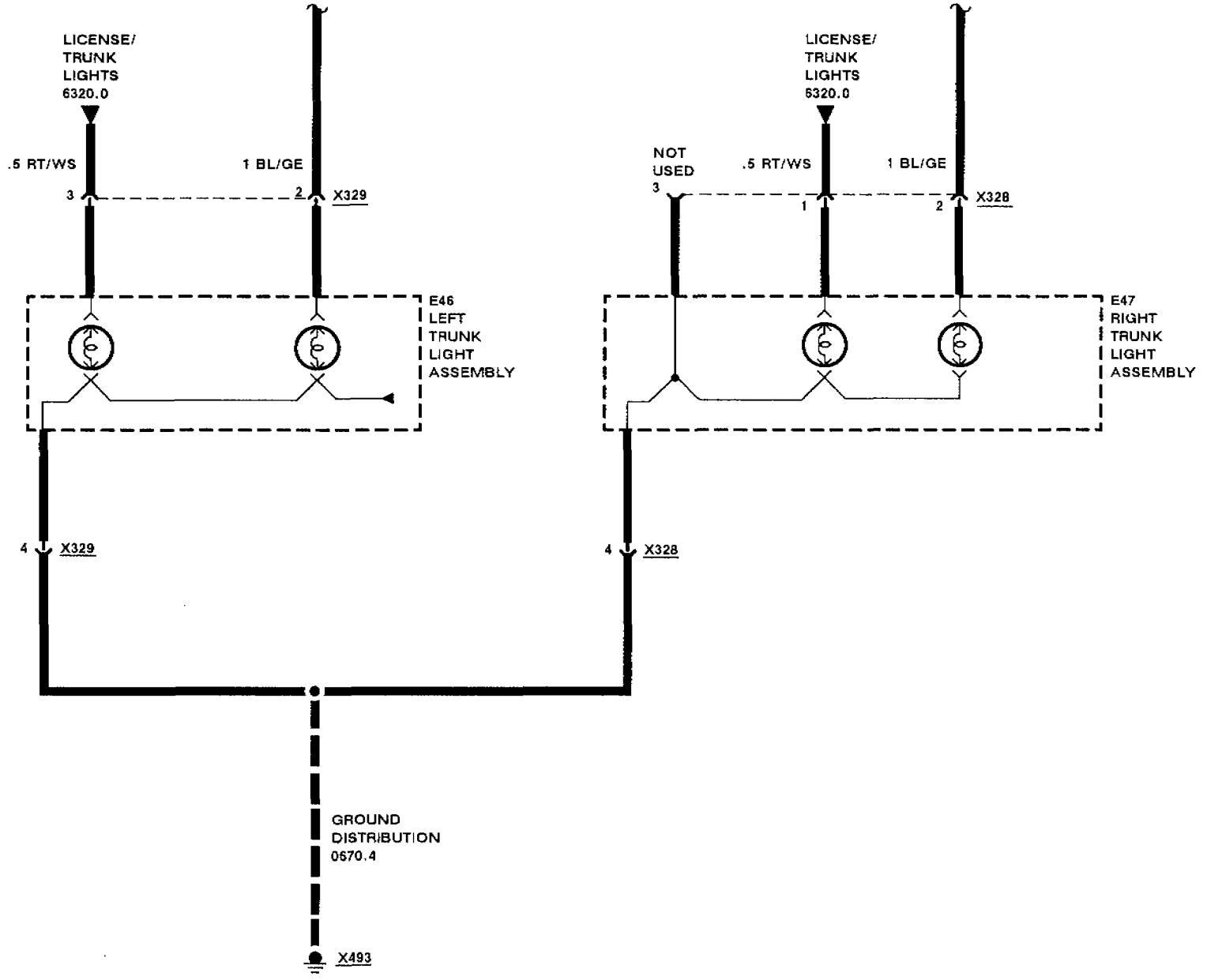


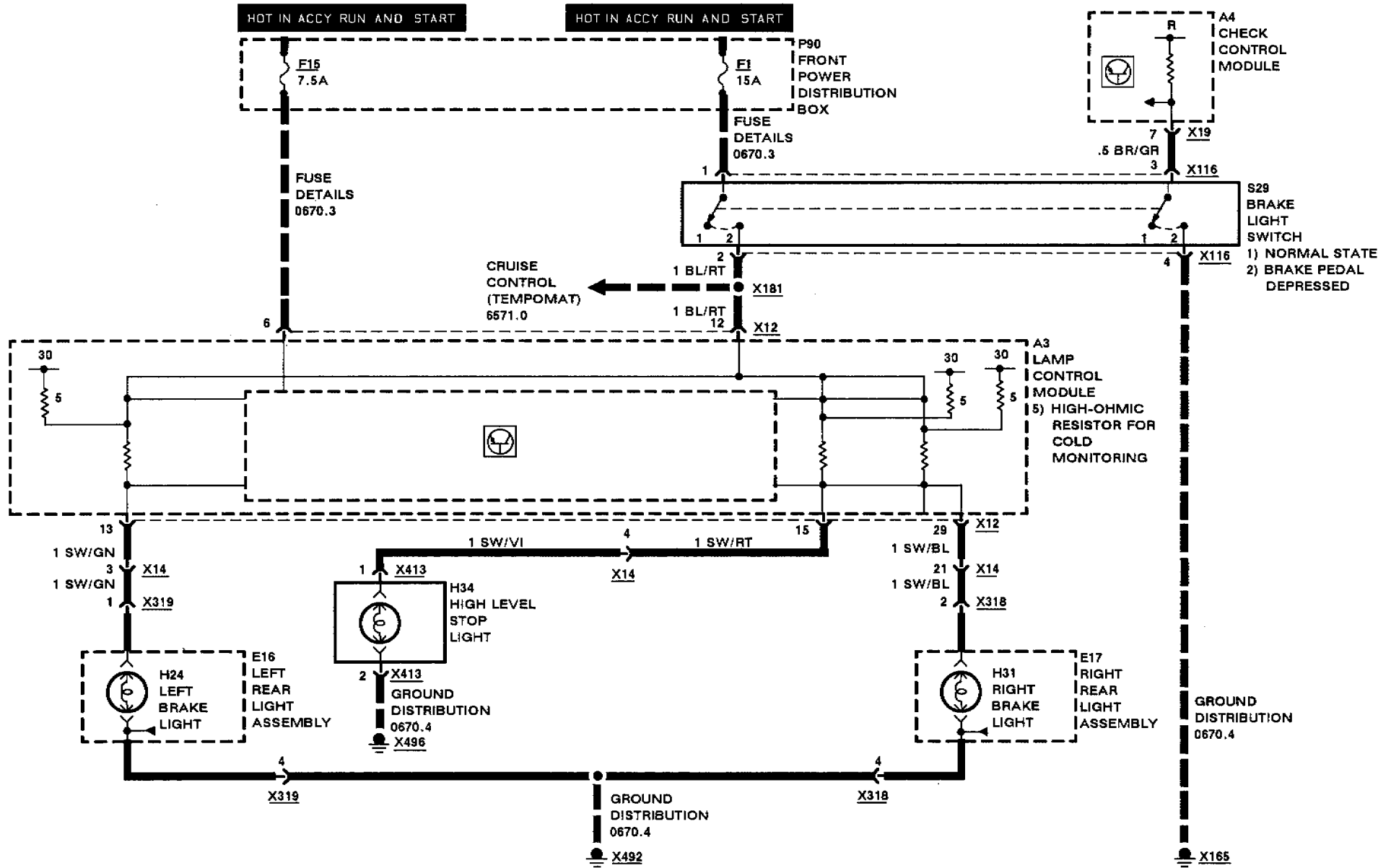




# BACK UP LIGHTS



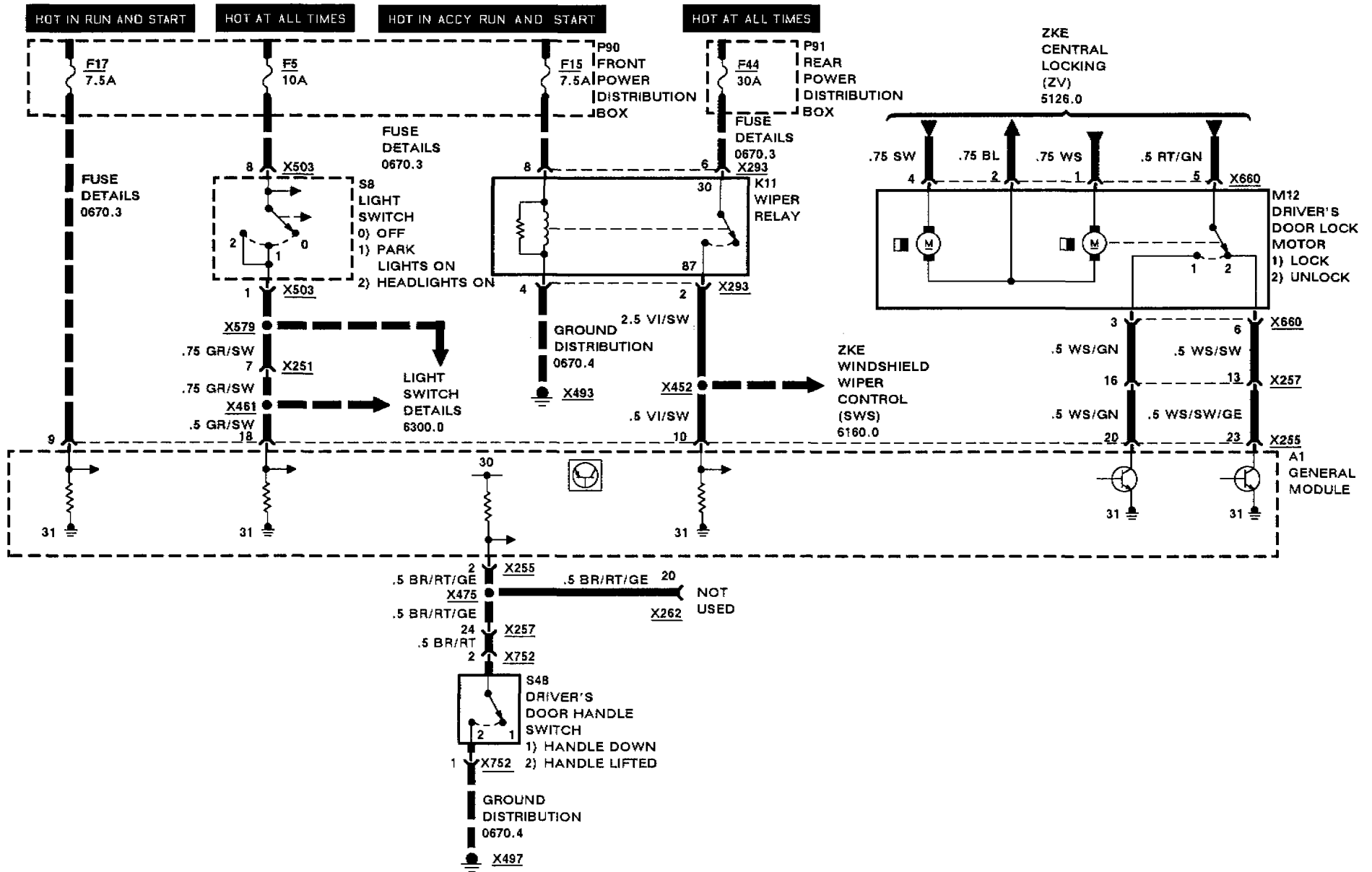






# ZKE INTERIOR LIGHTS (IB)

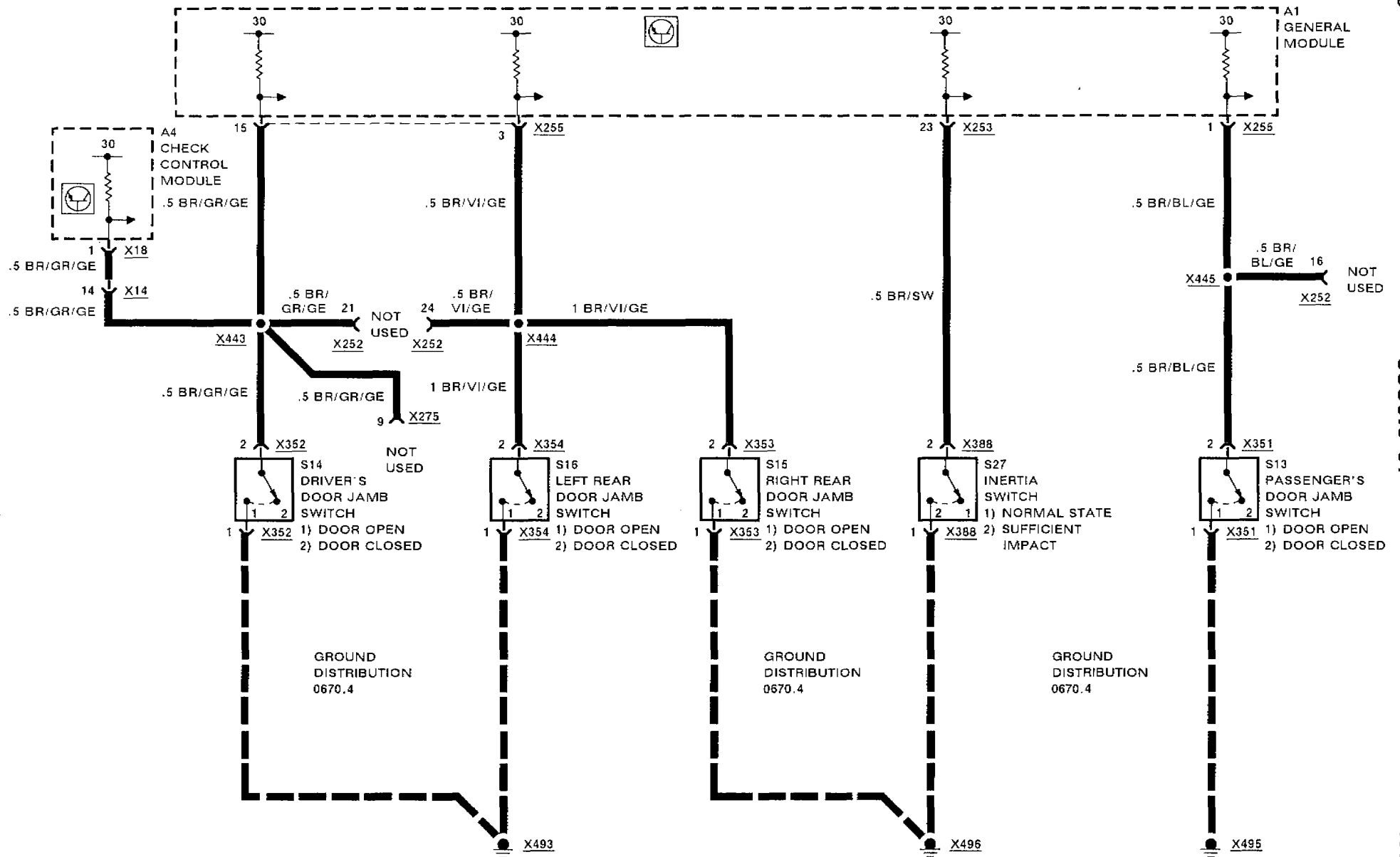
## INPUT DETAILS



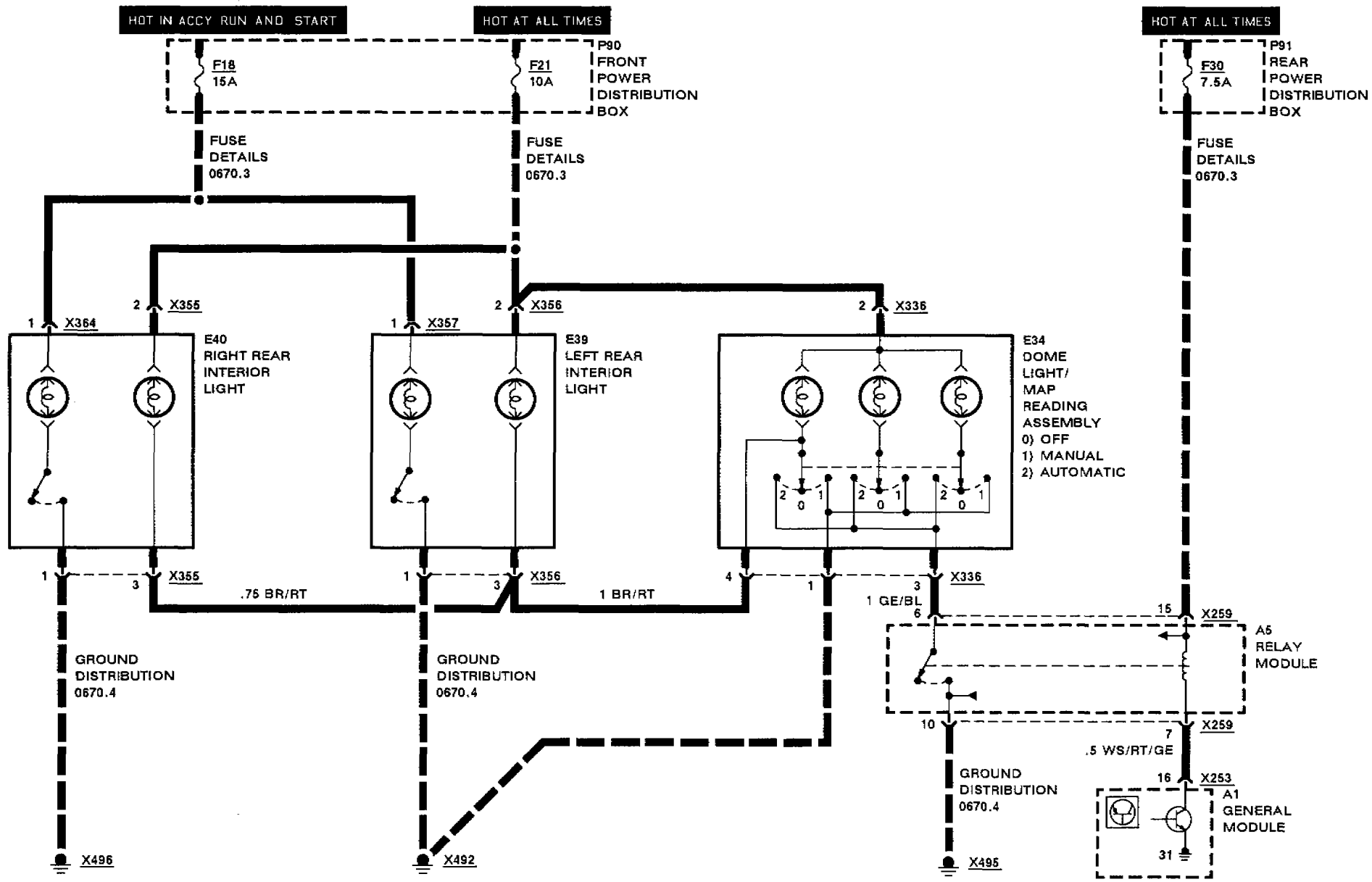


# ZKE INTERIOR LIGHTS (IB)

## INPUT DETAILS

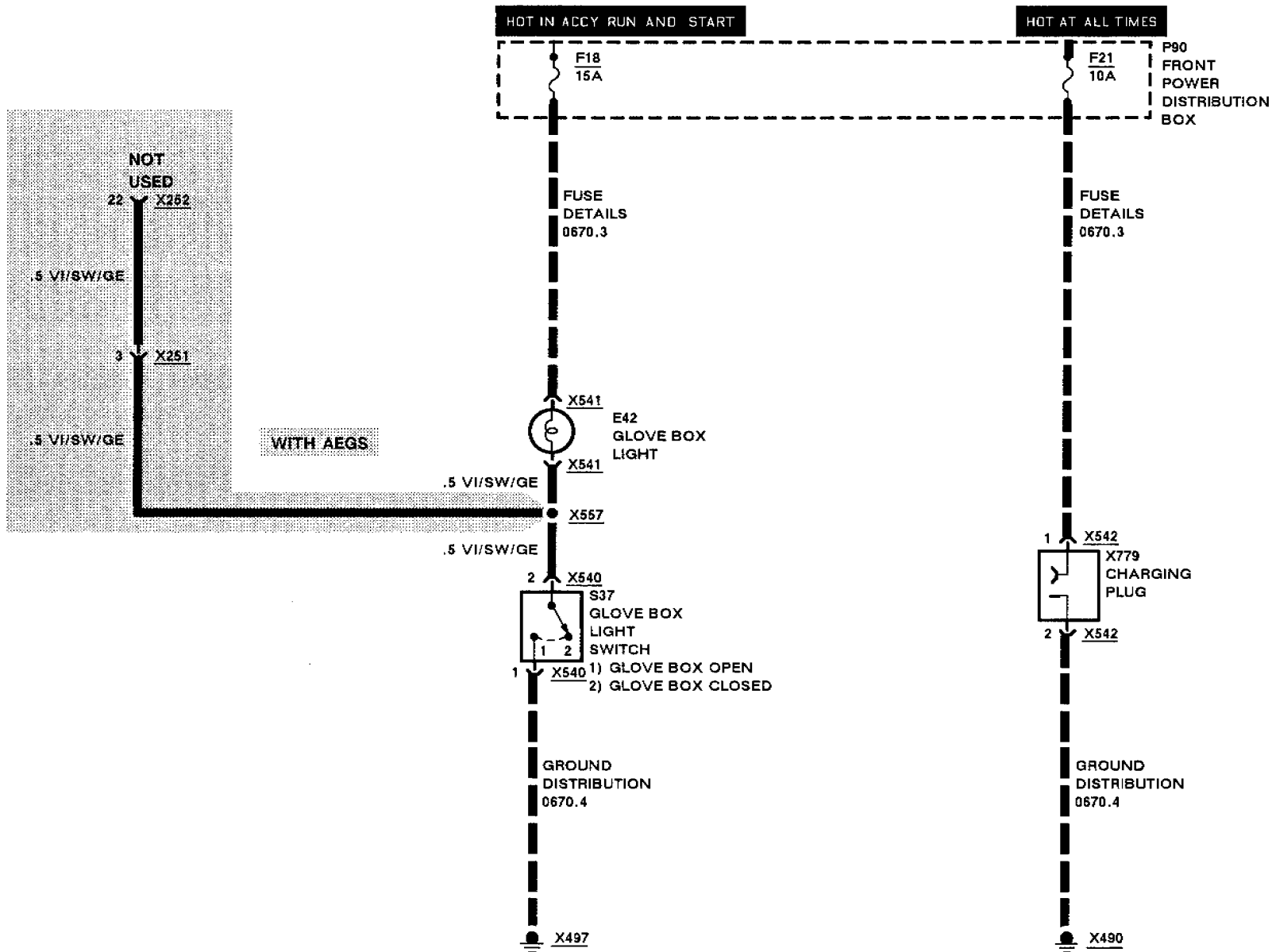


**BMW 5** **ZKE INTERIOR LIGHTS (IB)**  
**OUTPUT DETAILS**



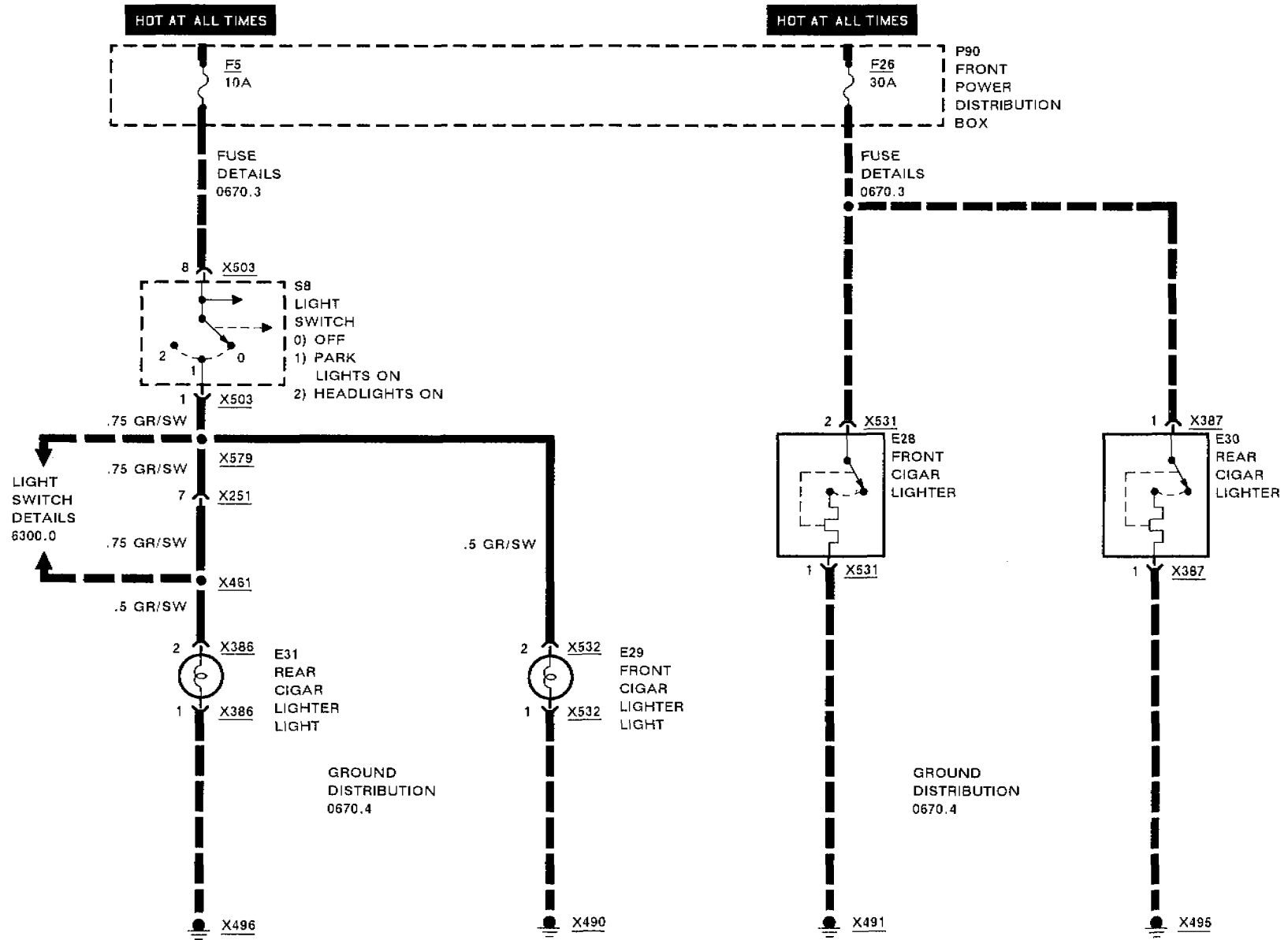


# GLOVE BOX LIGHT/ CIGAR LIGHTER/ CHARGING PLUG





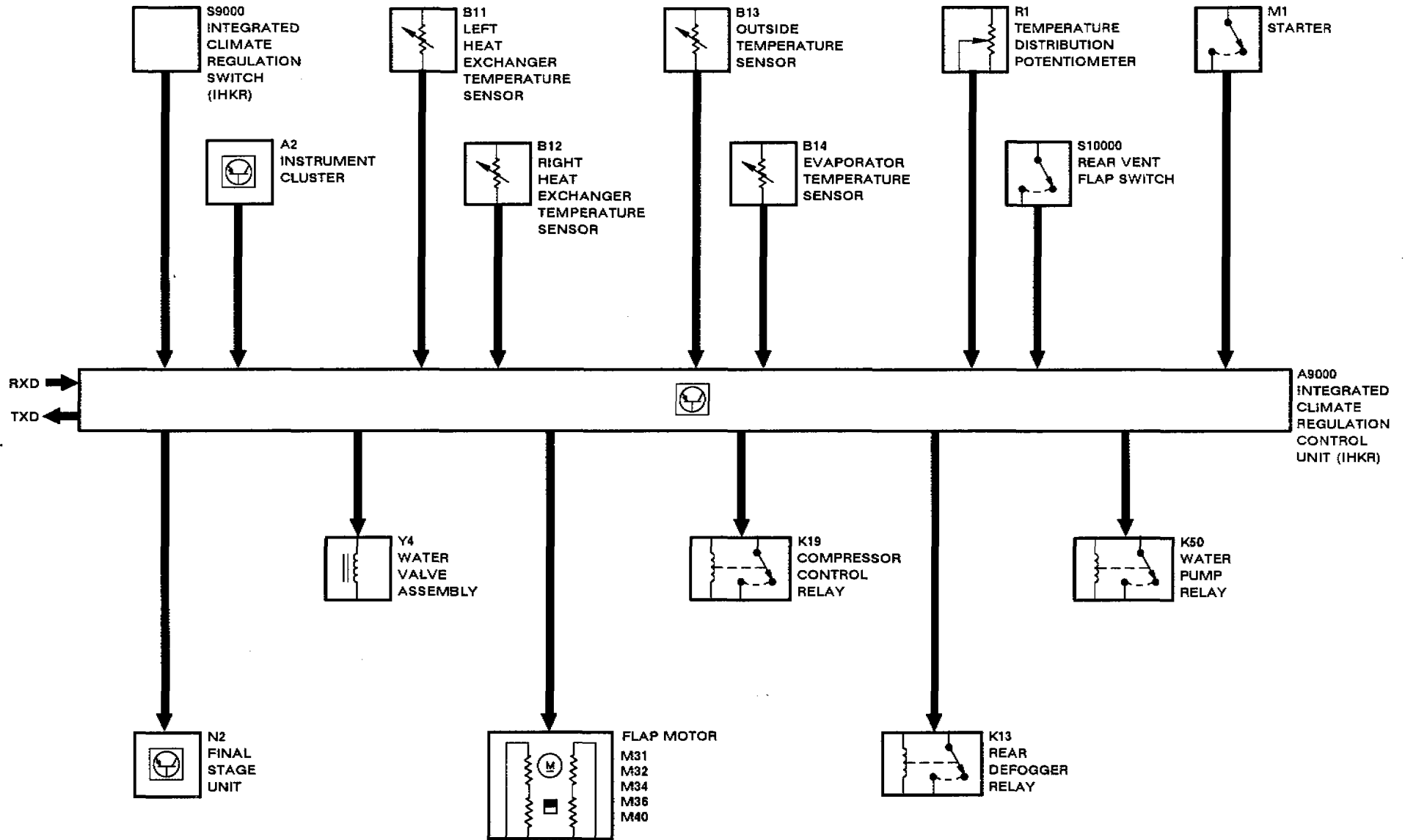
# GLOVE BOX LIGHT/ CIGAR LIGHTER/ CHARGING PLUG







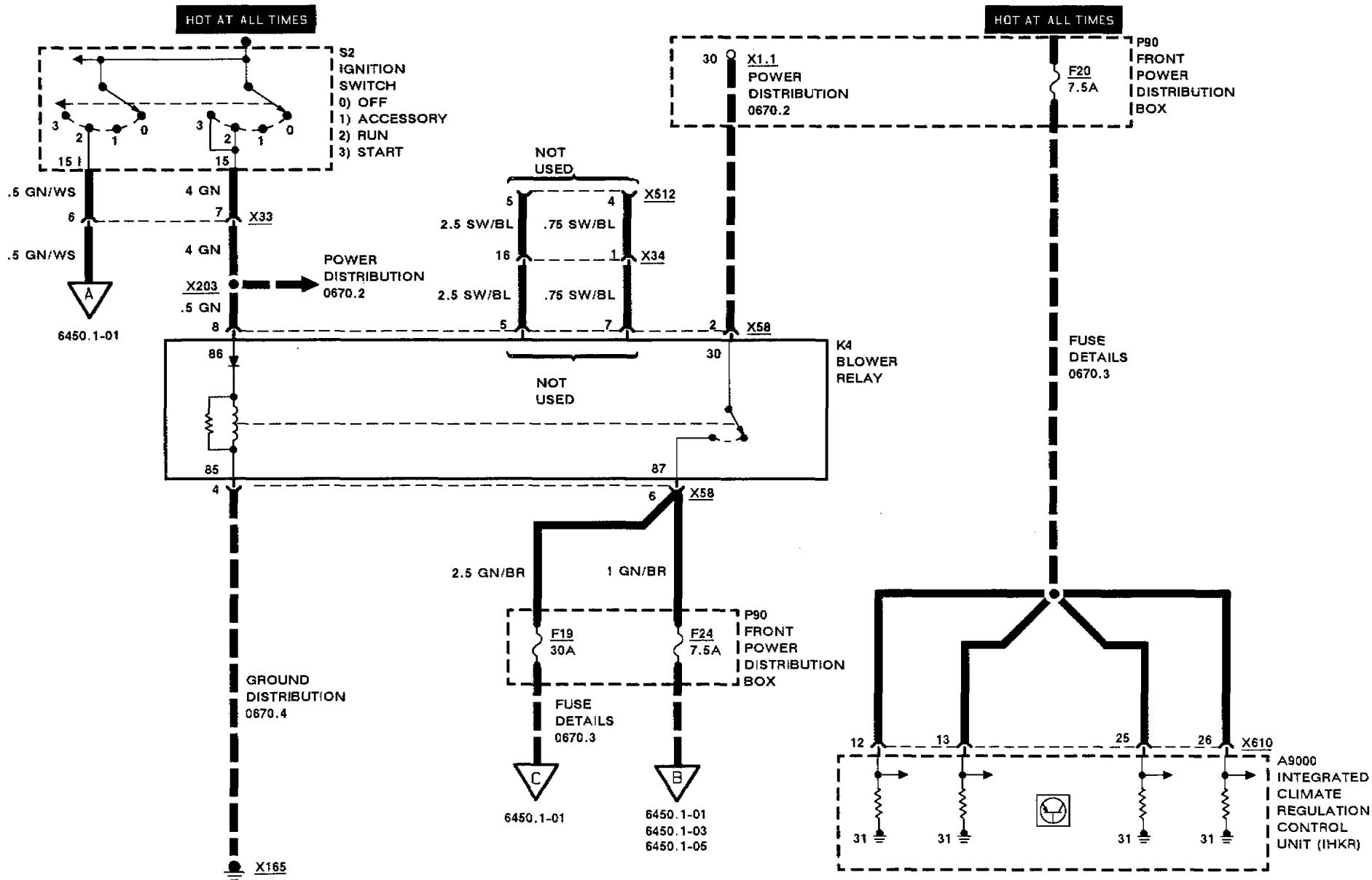
# INTEGRATED CLIMATE REGULATION (IHKR)





# INTEGRATED CLIMATE REGULATION (IHKR)

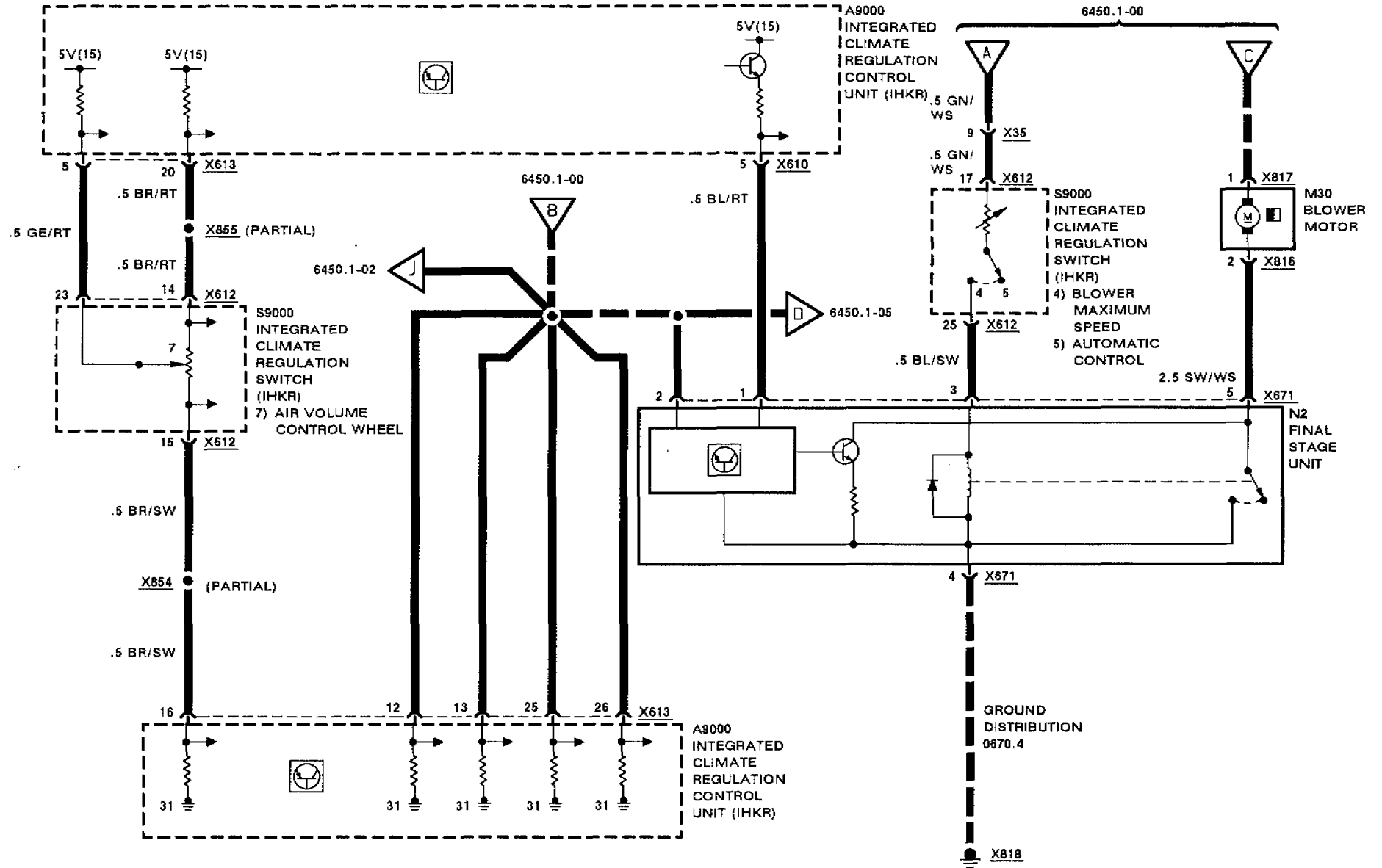
## POWER





# INTEGRATED CLIMATE REGULATION (IHKR)

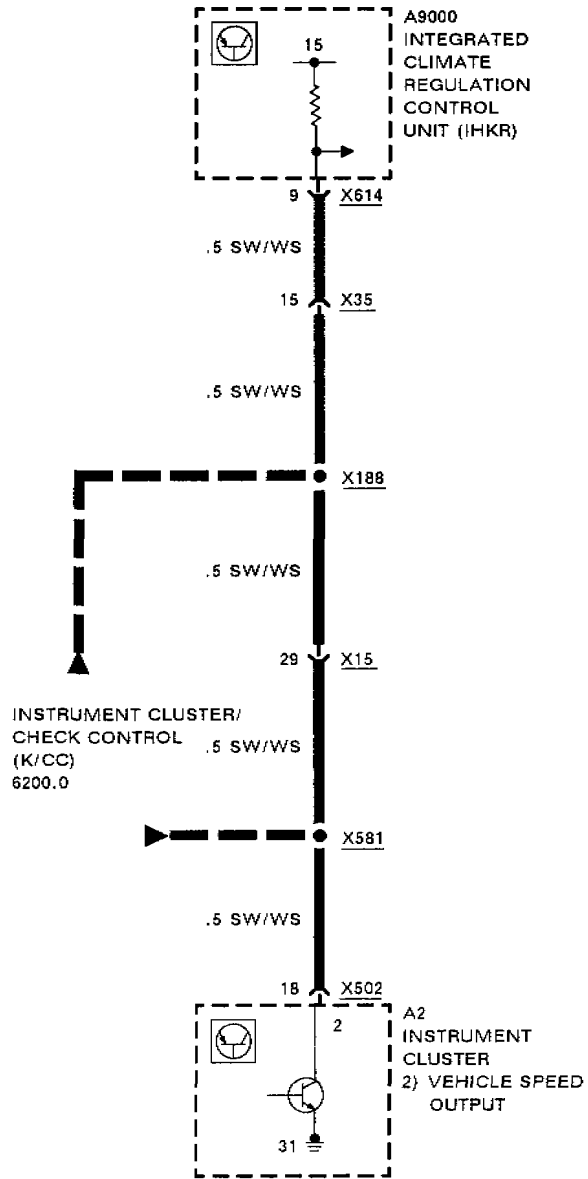
## BLOWER CONTROLS



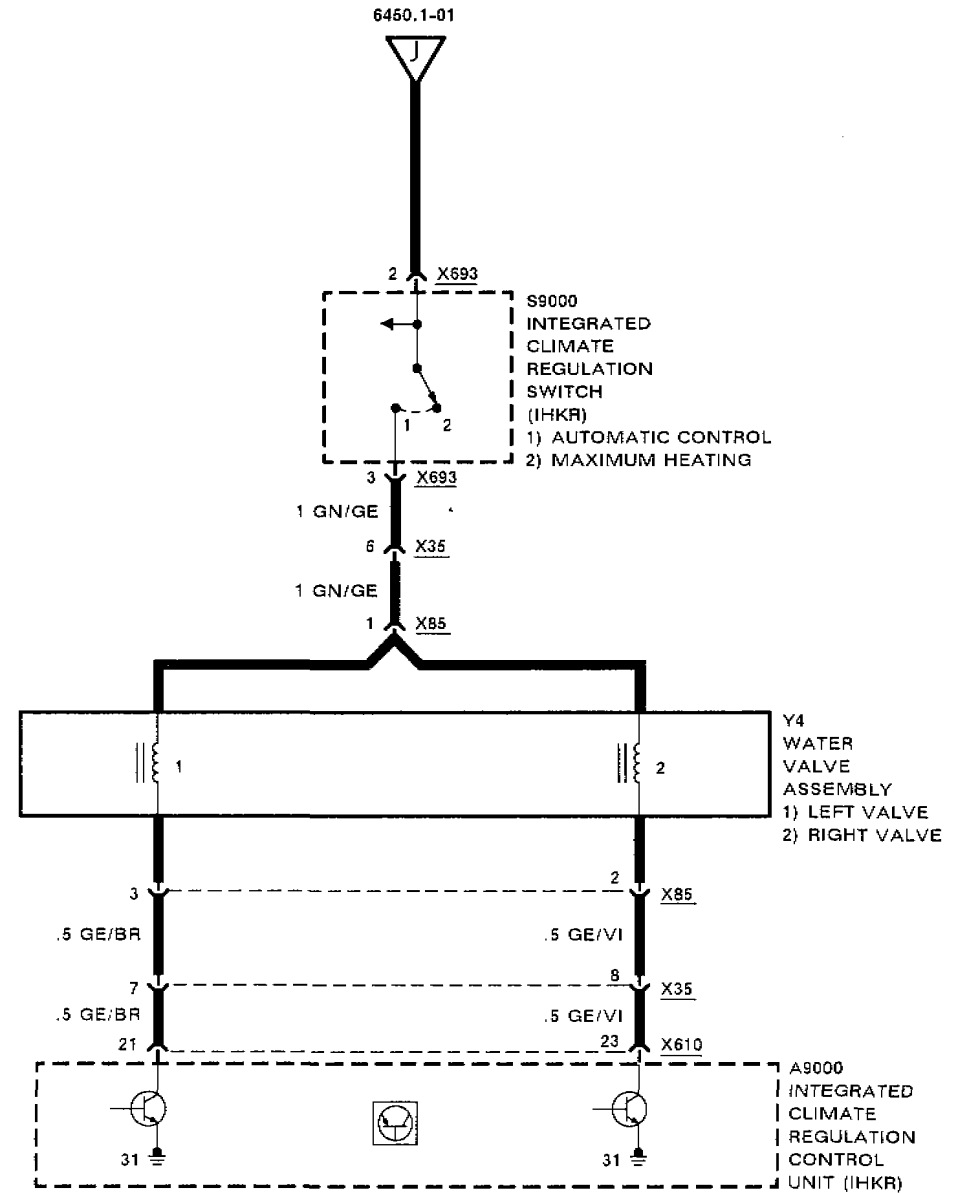


# INTEGRATED CLIMATE REGULATION (IHKR)

## BLOWER CONTROLS



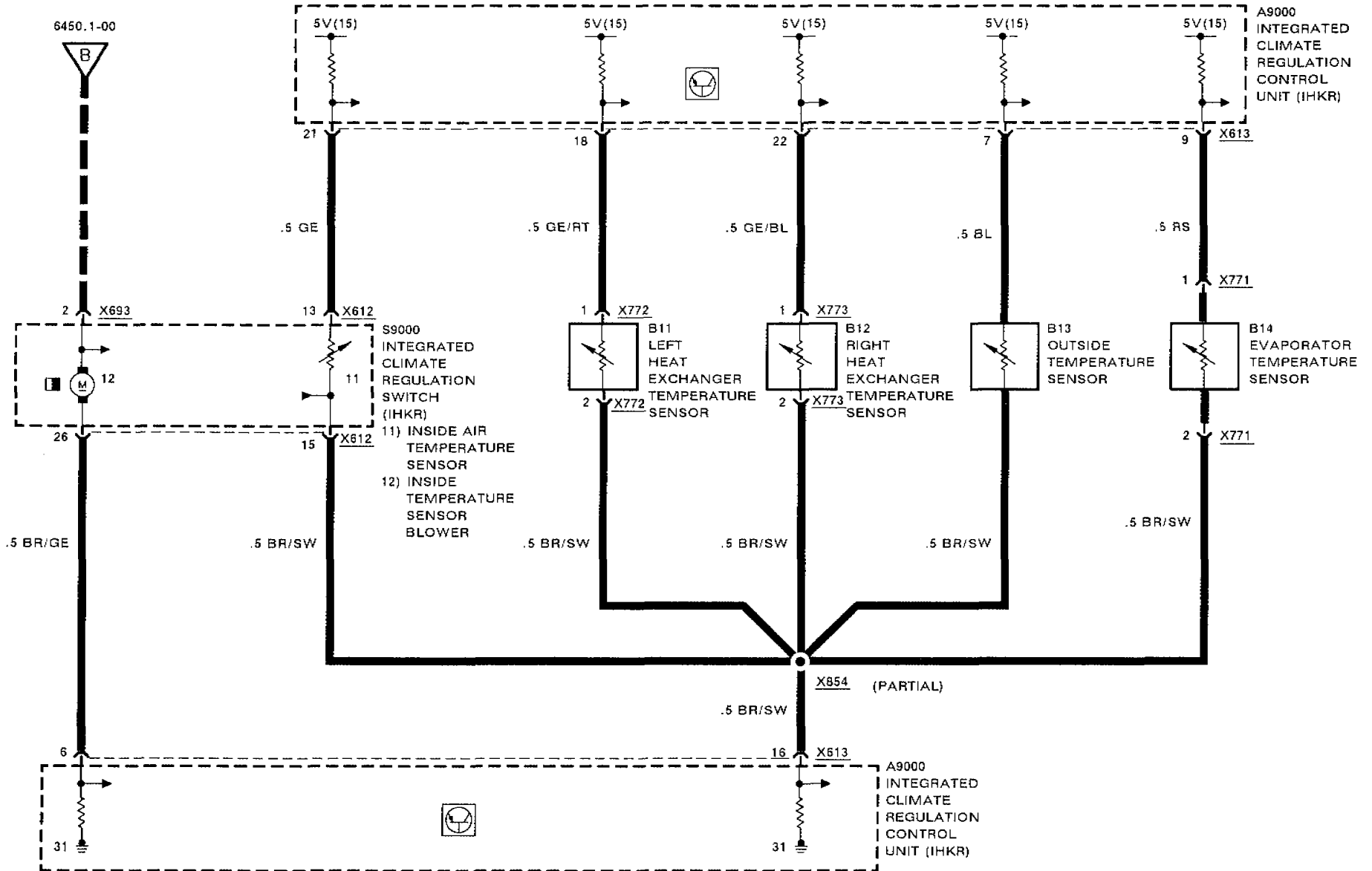
## WATER VALVES





# INTEGRATED CLIMATE REGULATION (IHKR)

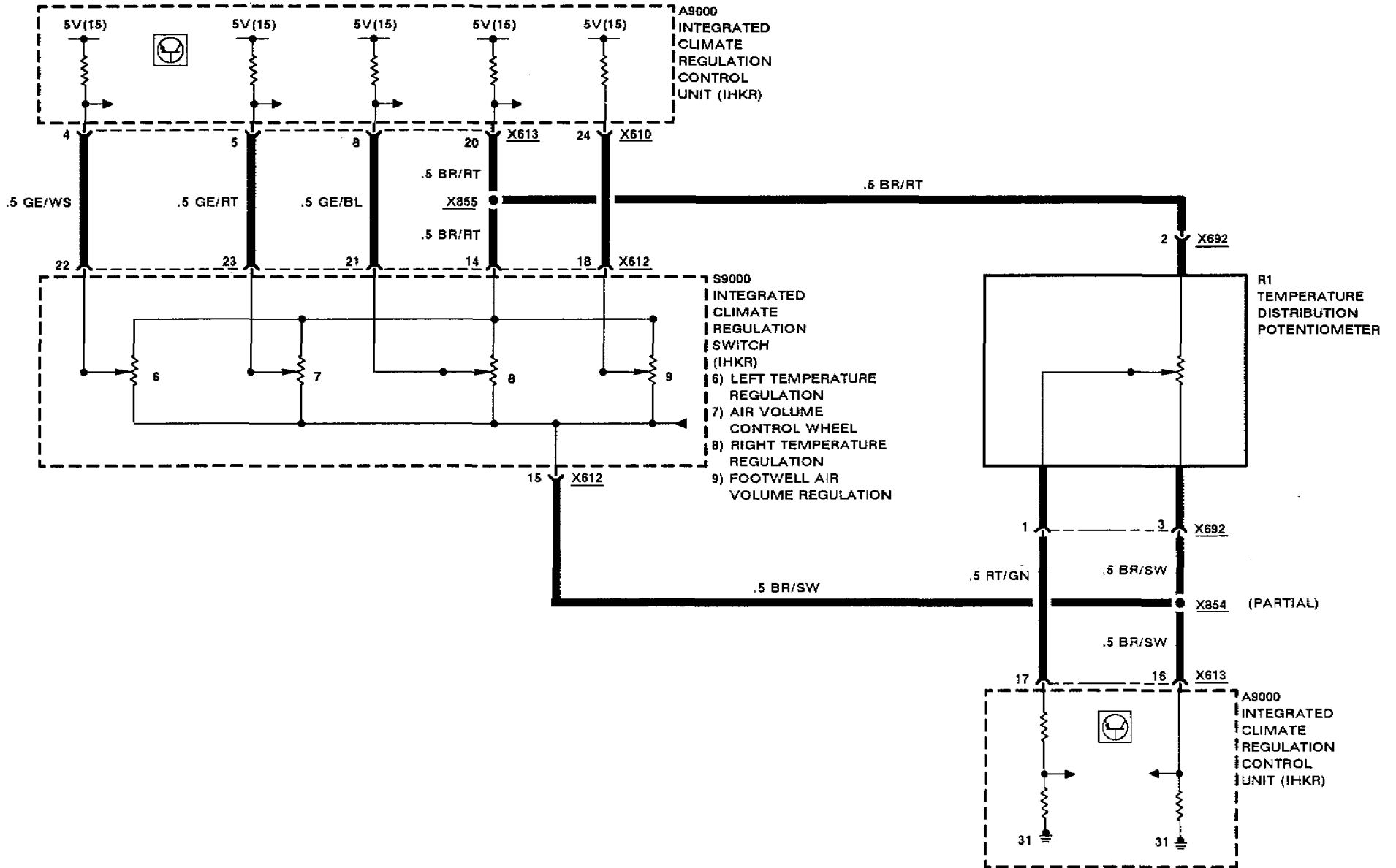
## TEMPERATURE CONTROLS





# INTEGRATED CLIMATE REGULATION (IHKR)

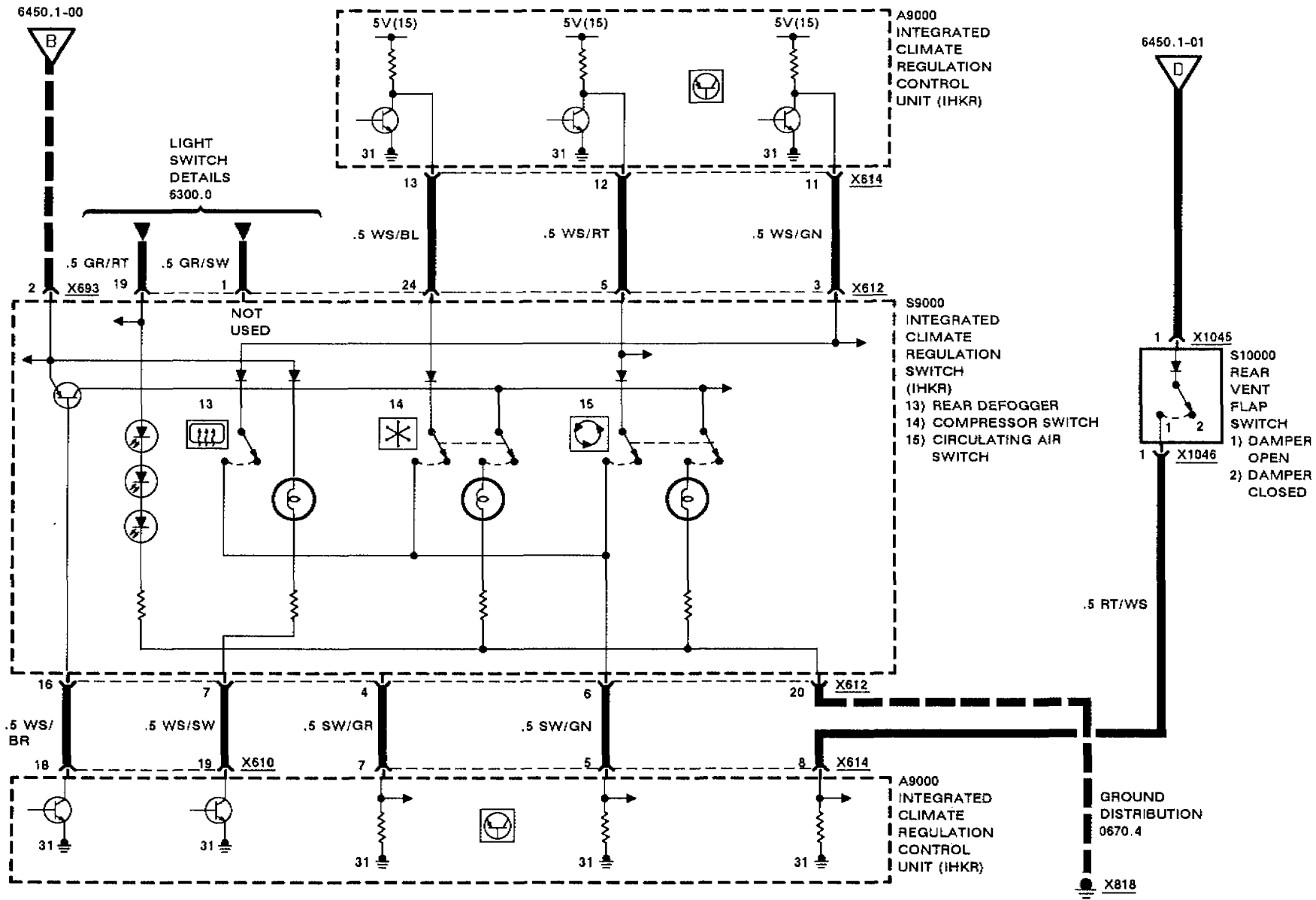
## TEMPERATURE CONTROLS





# INTEGRATED CLIMATE REGULATION (IHKR)

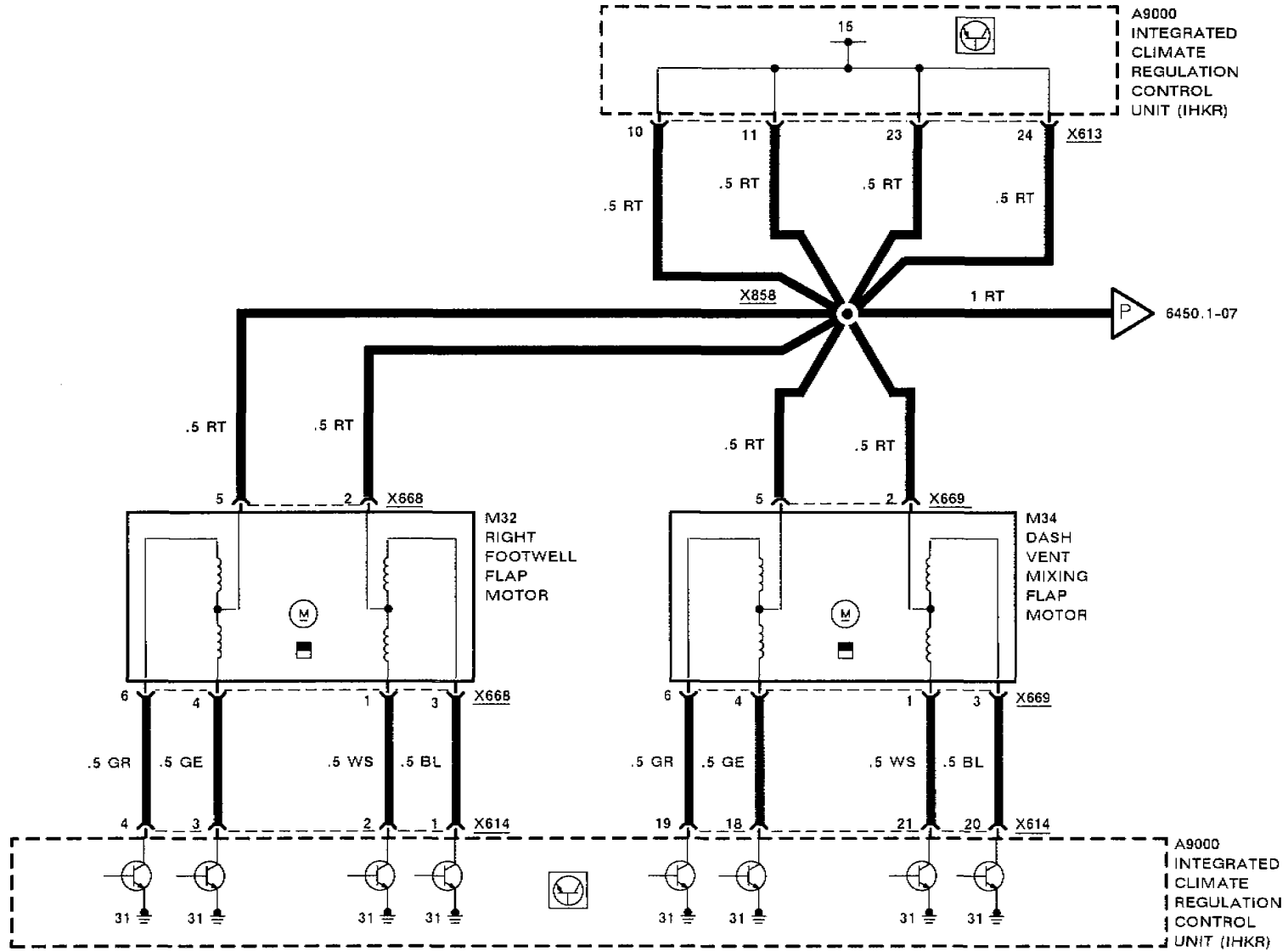
## AIR DELIVERY





# INTEGRATED CLIMATE REGULATION (IHKR)

## AIR DELIVERY

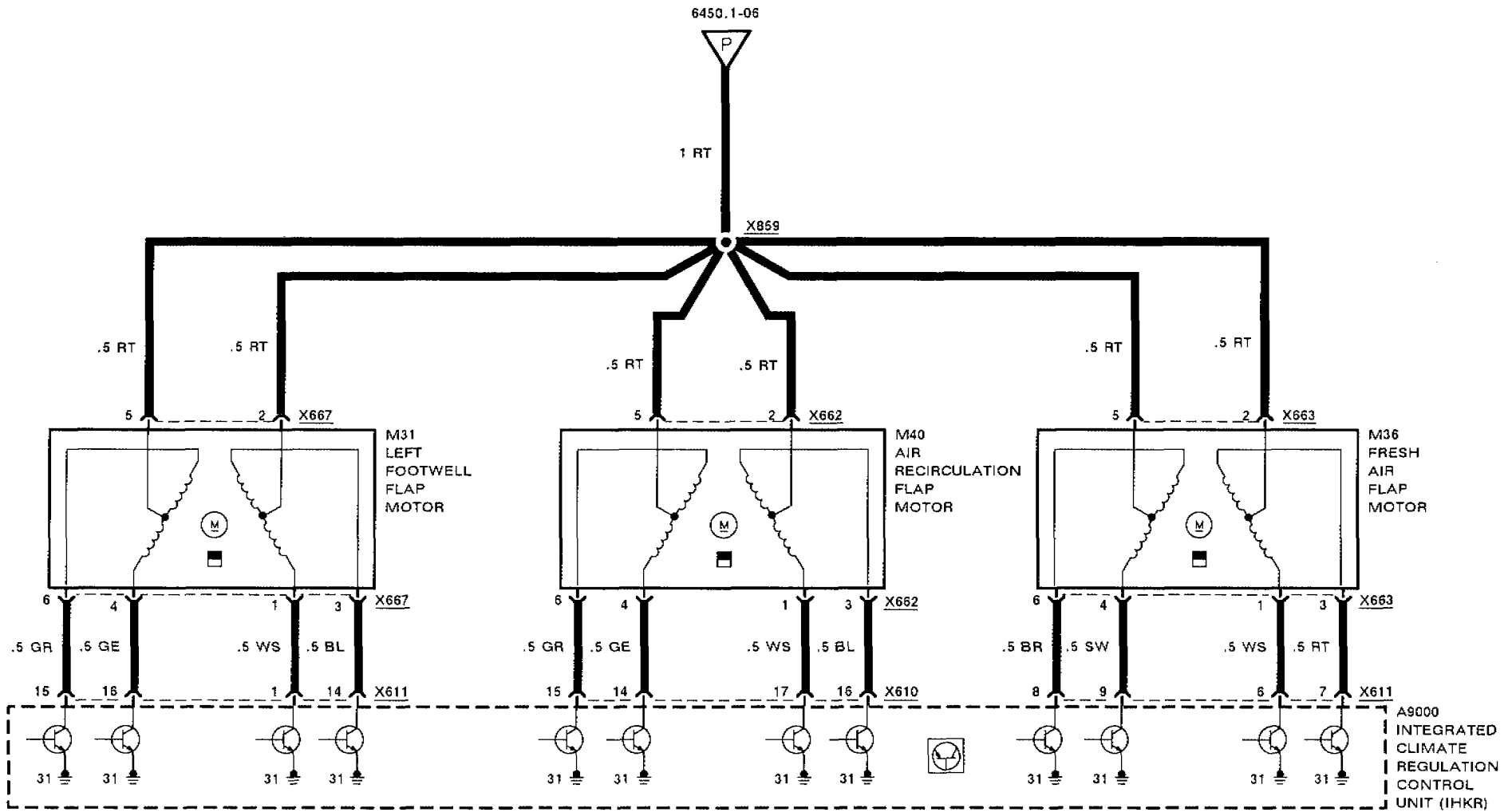






# INTEGRATED CLIMATE REGULATION (IHKR)

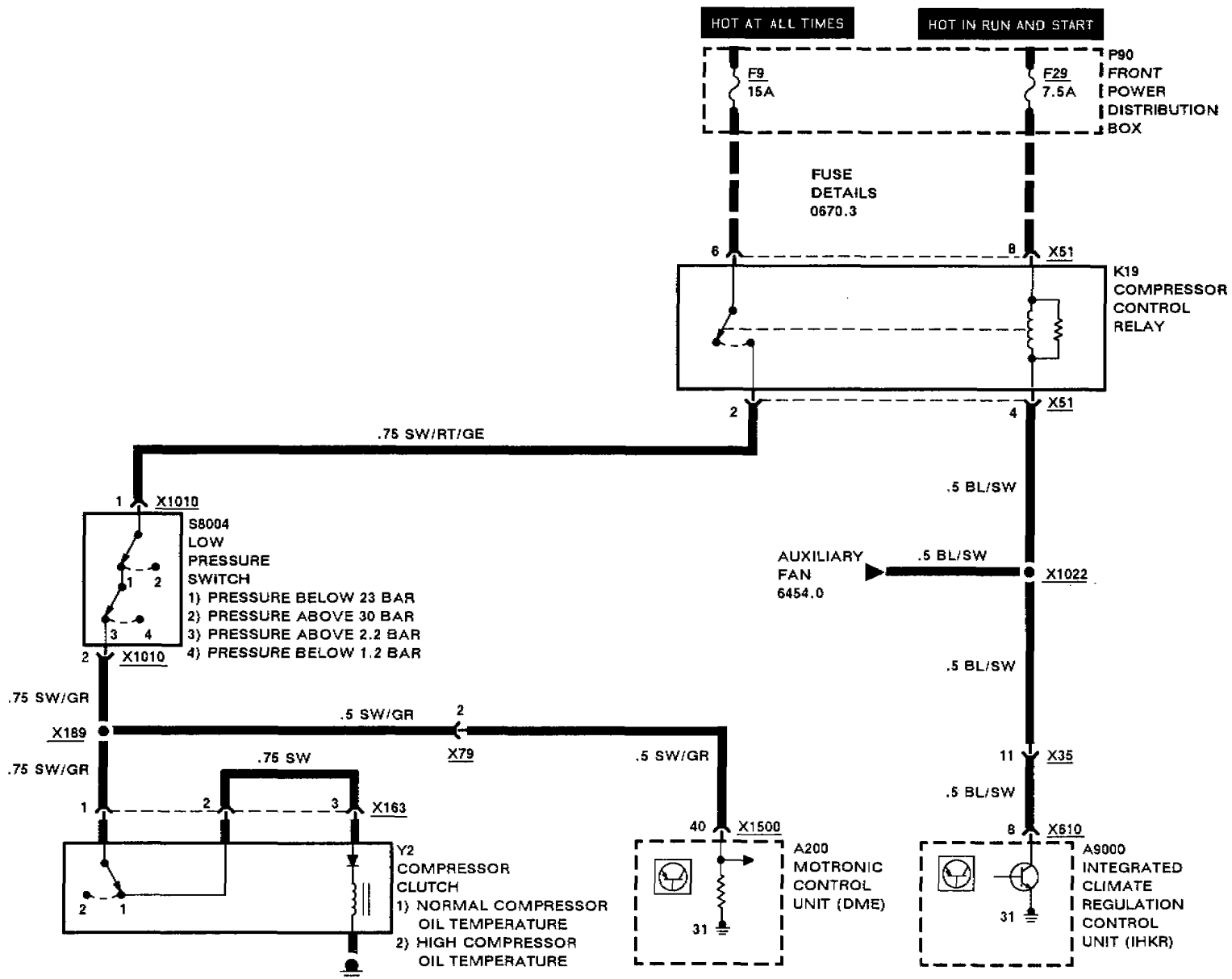
## AIR DELIVERY





# INTEGRATED CLIMATE REGULATION (IHKR)

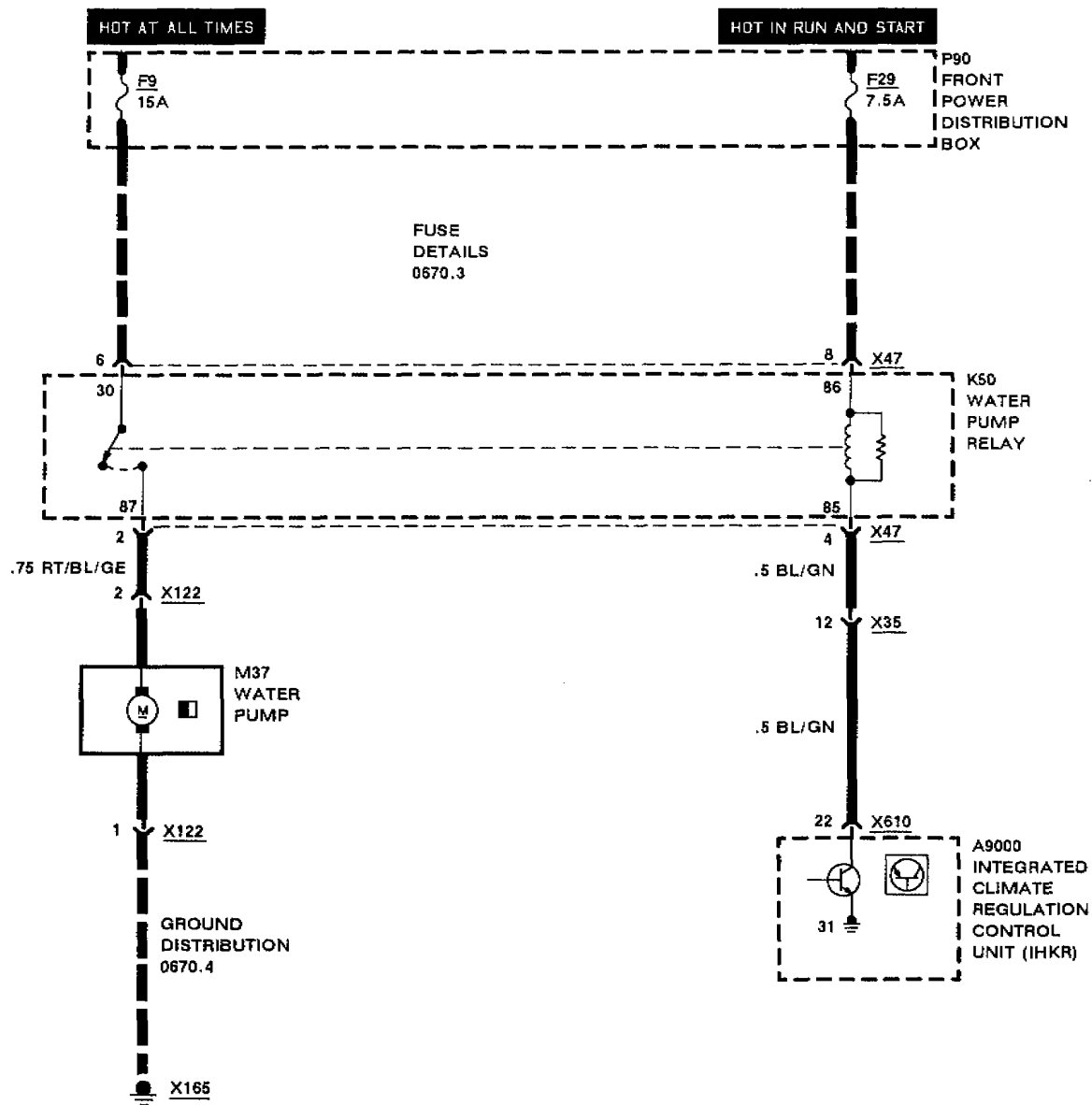
## COMPRESSOR CONTROLS





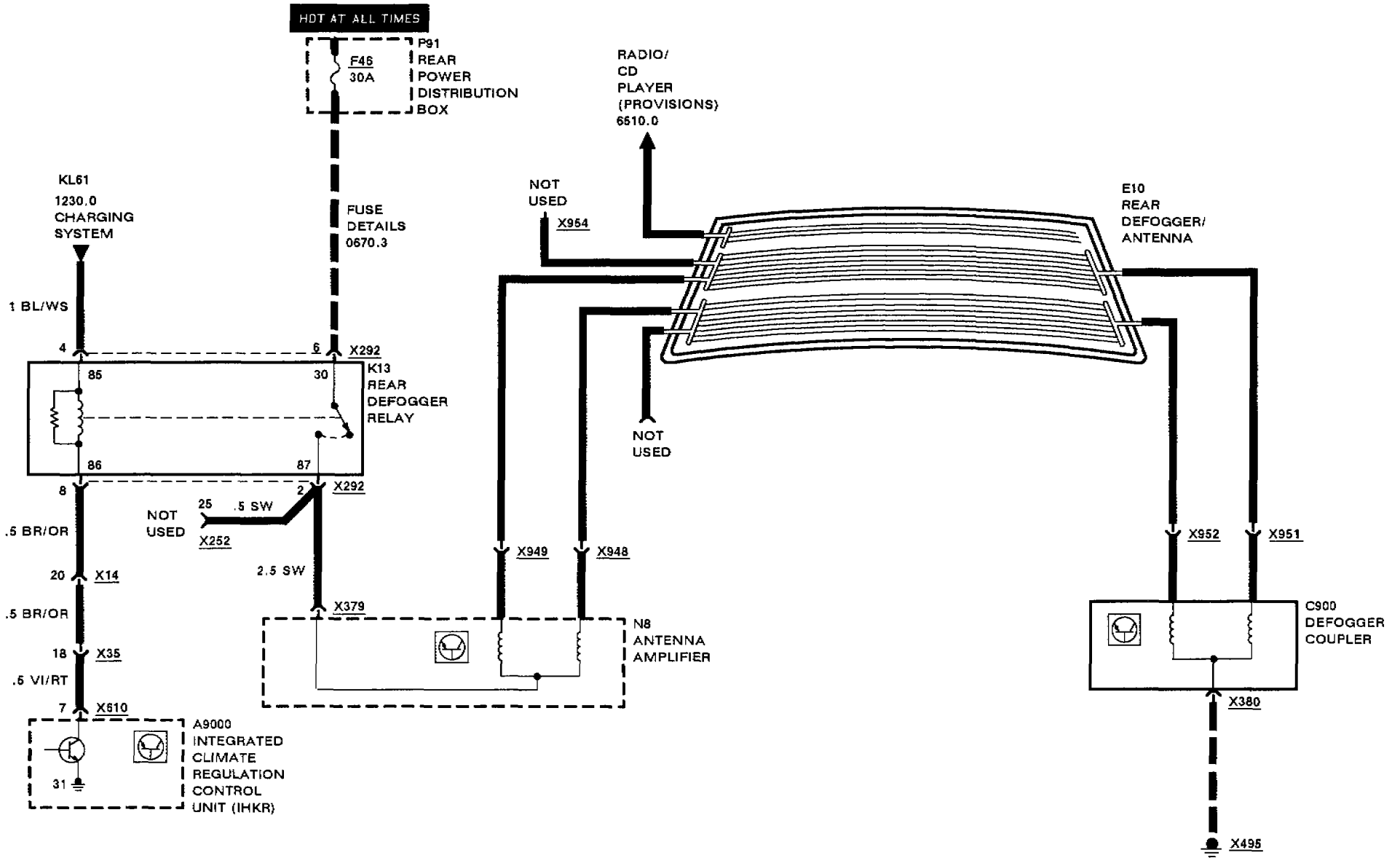
# INTEGRATED CLIMATE REGULATION (IHKR)

## AUXILIARY WATER PUMP



# INTEGRATED CLIMATE REGULATION (IHKR)

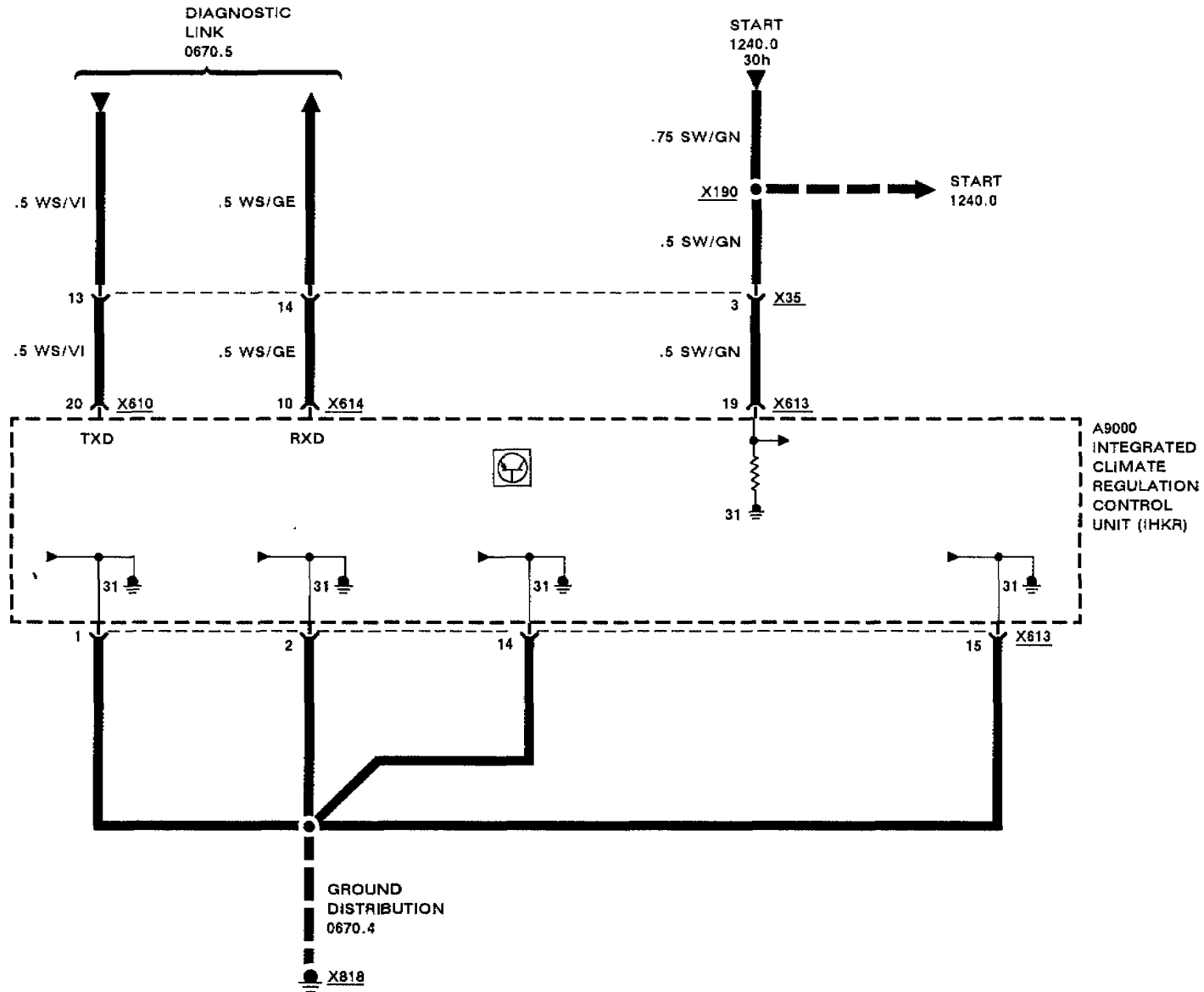
## REAR WINDOW DEFOGGER



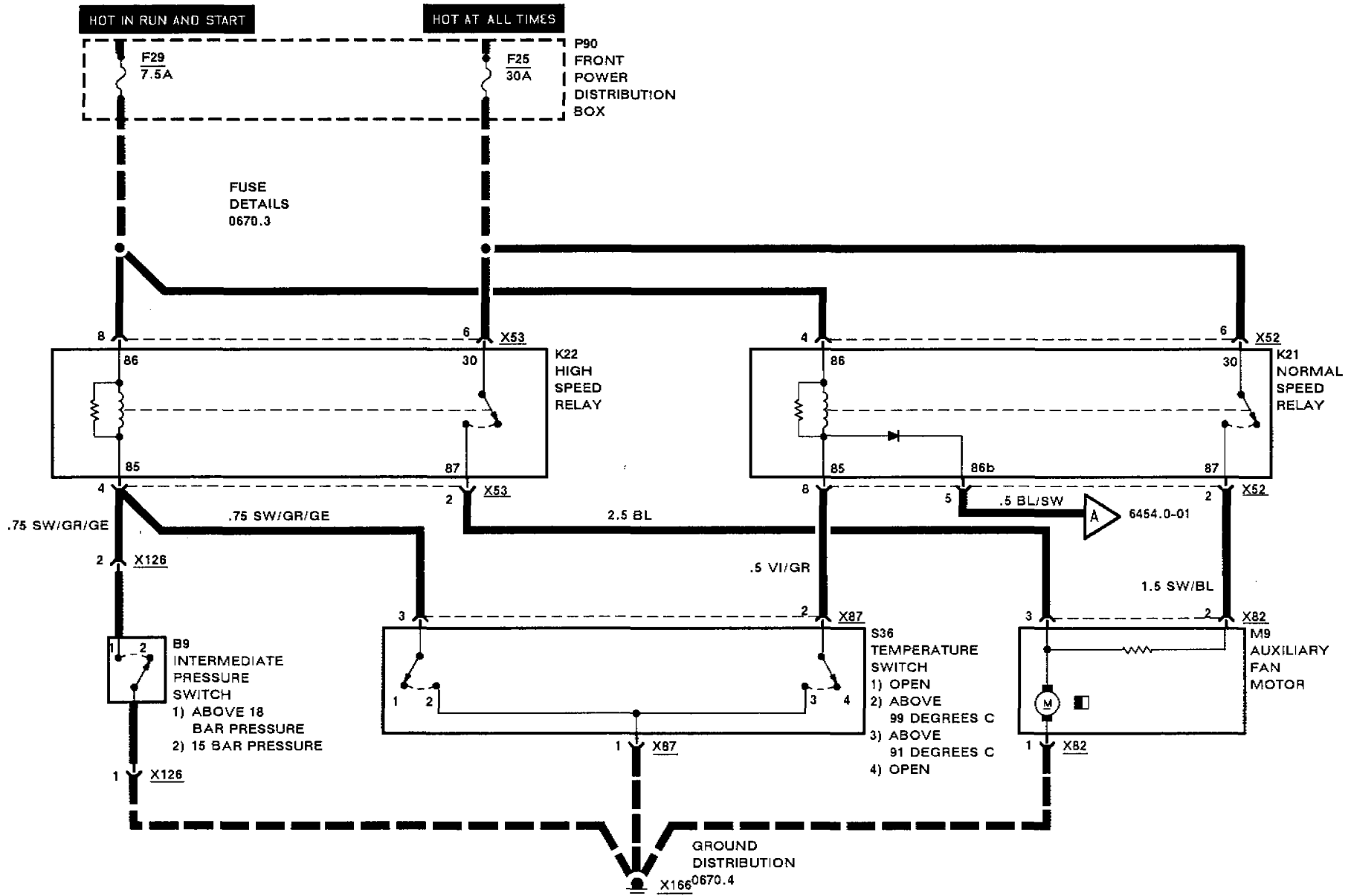


# INTEGRATED CLIMATE REGULATION (IHKR)

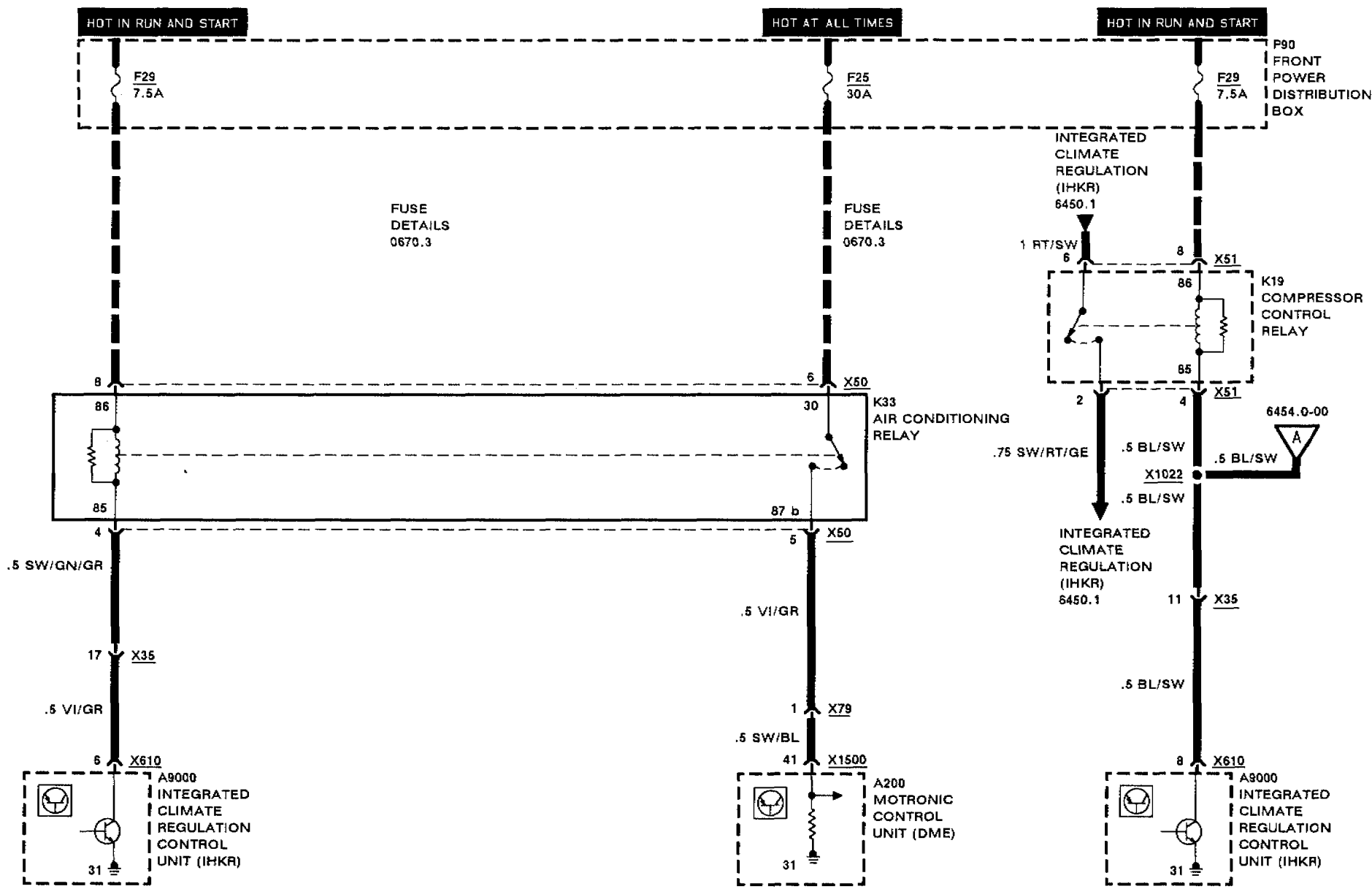
## DIAGNOSTIC LINK AND STARTER INPUT



# AUXILIARY FAN



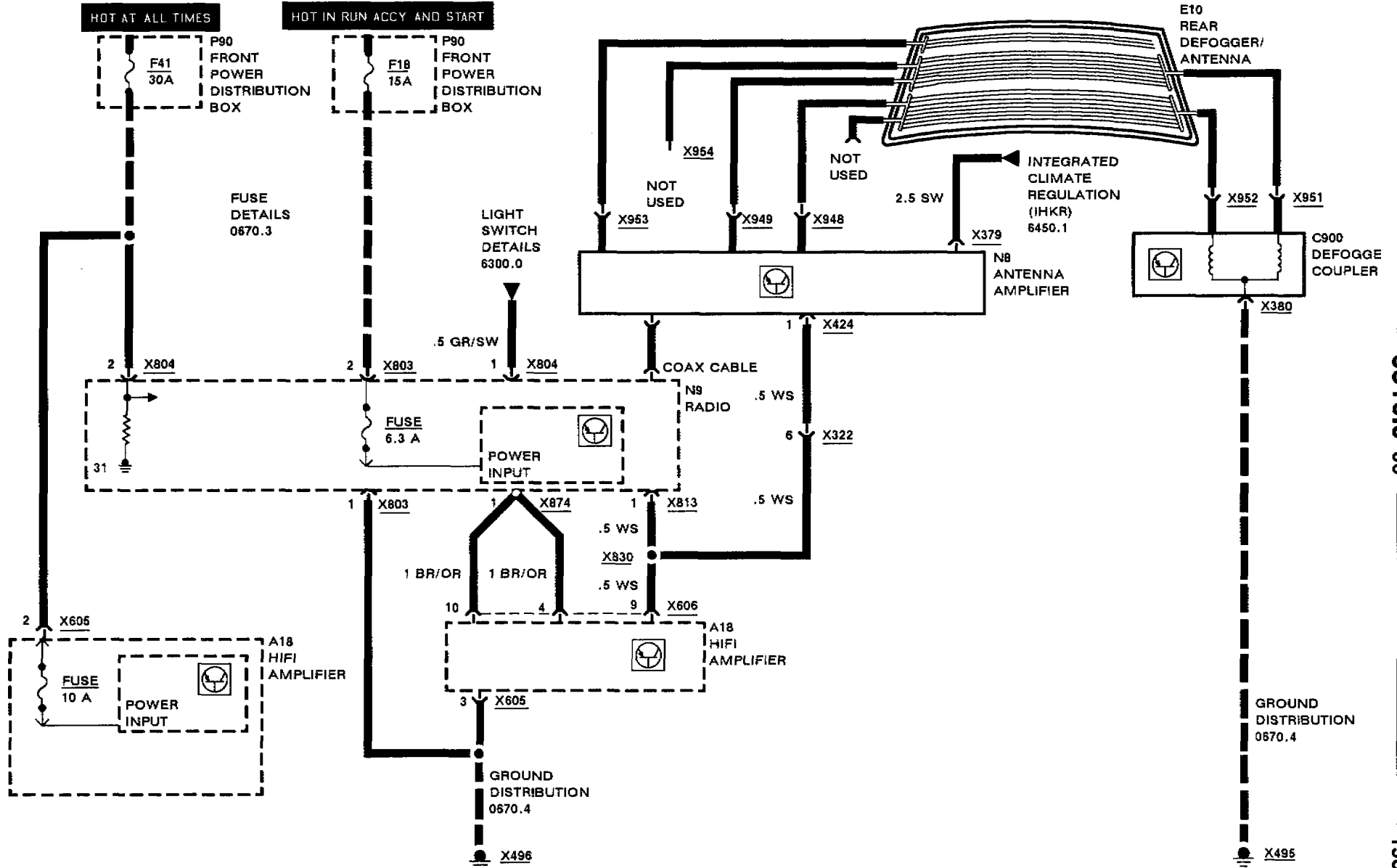
# AUXILIARY FAN





# RADIO/ CD PLAYER (PROVISIONS)

## HIFI, TEN SPEAKER SYSTEM



2/89

6510.0-00

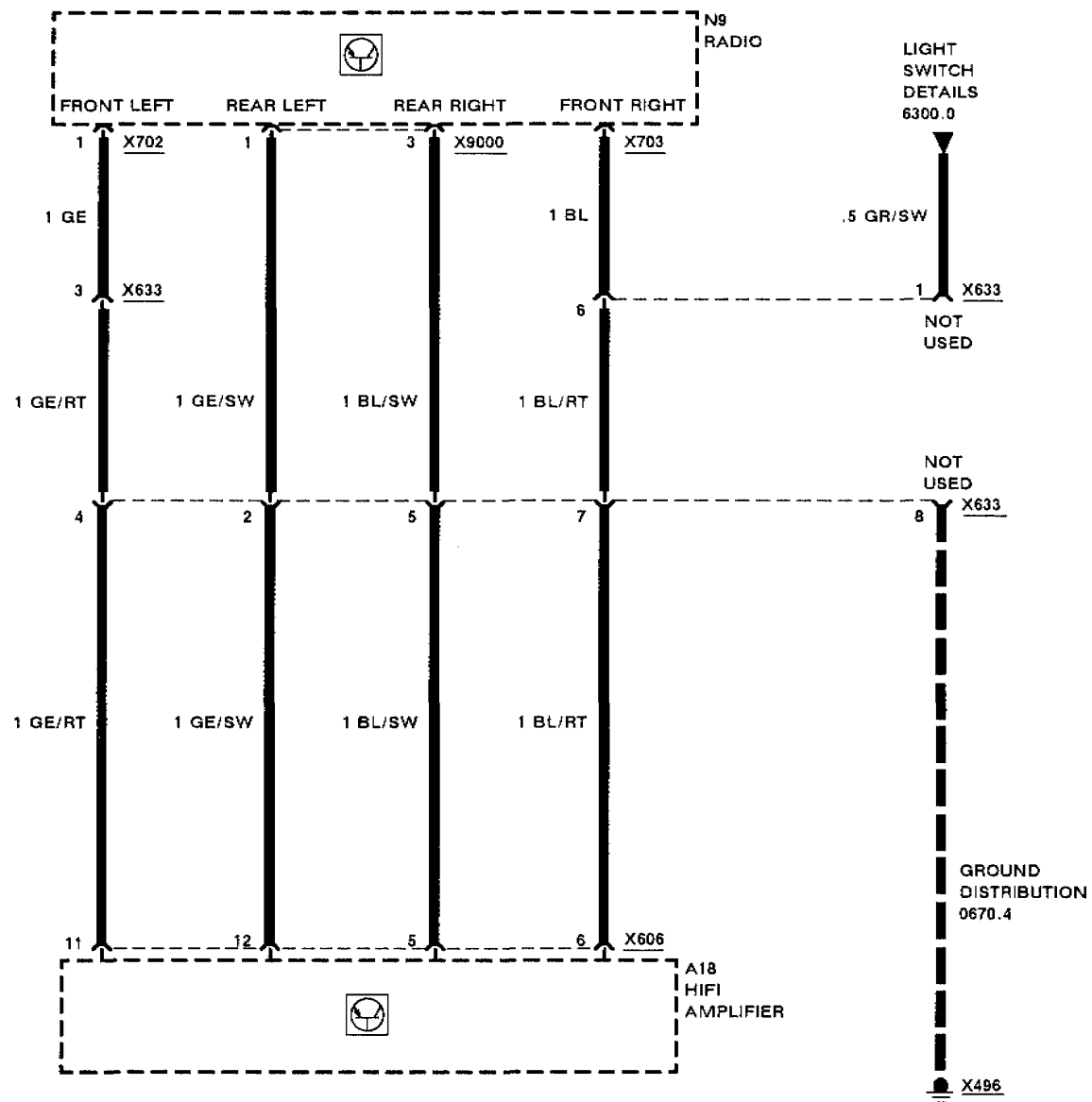
1989





# RADIO/ CD PLAYER (PROVISIONS)

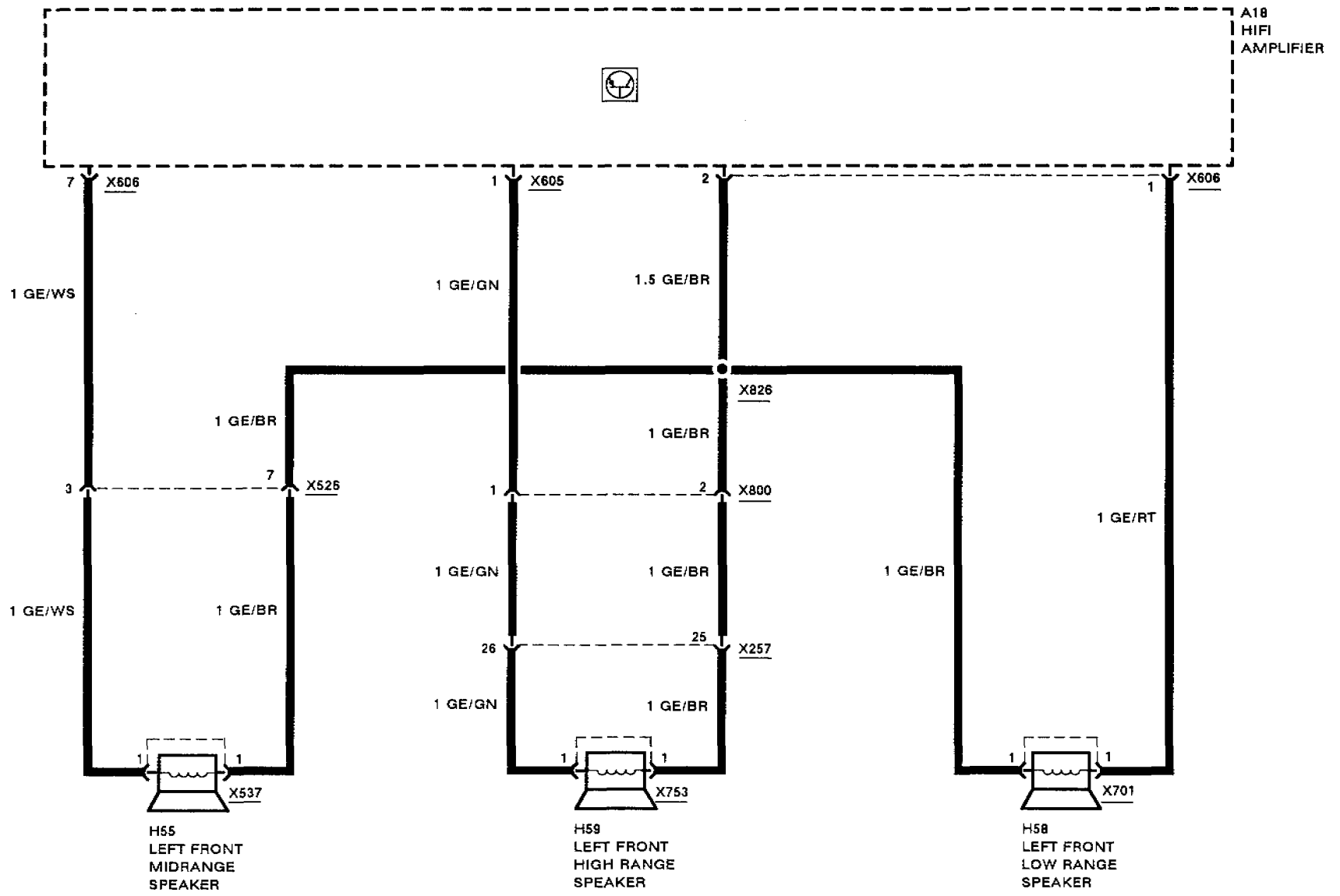
## HIFI, TEN SPEAKER SYSTEM





# RADIO/ CD PLAYER (PROVISIONS)

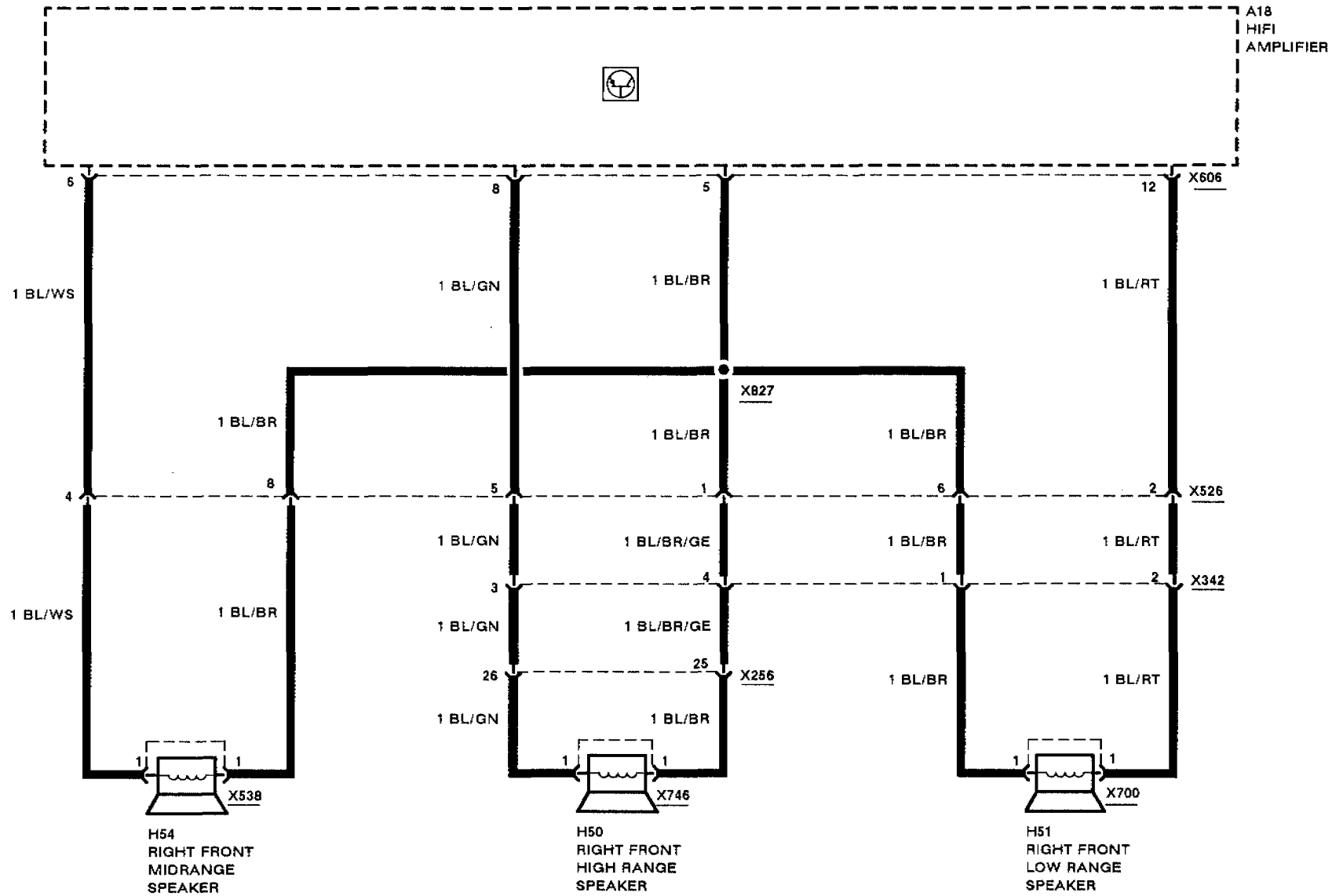
## HIFI, TEN SPEAKER SYSTEM





# RADIO/ CD PLAYER (PROVISIONS)

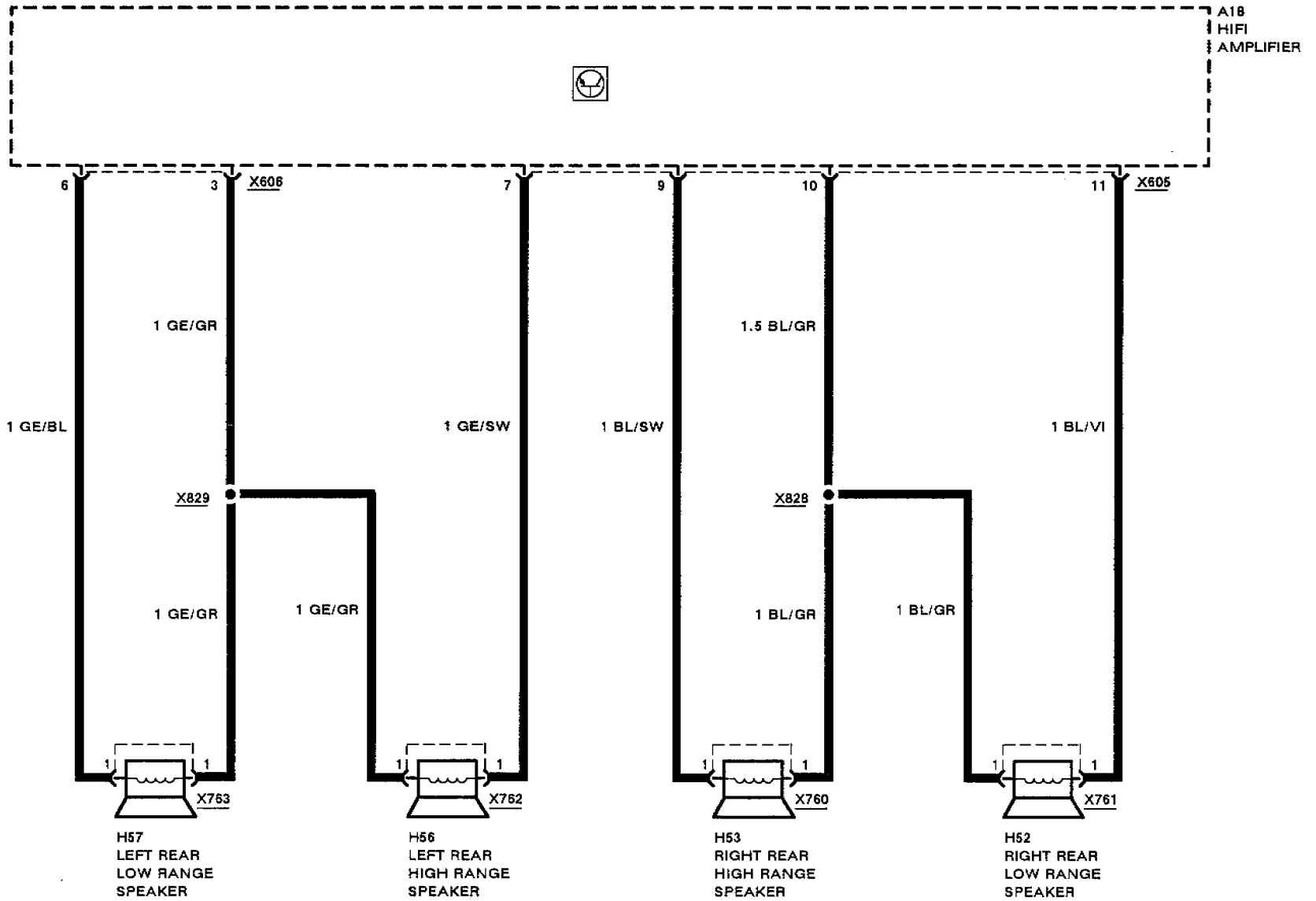
## HIFI, TEN SPEAKER SYSTEM





# RADIO/ CD PLAYER (PROVISIONS)

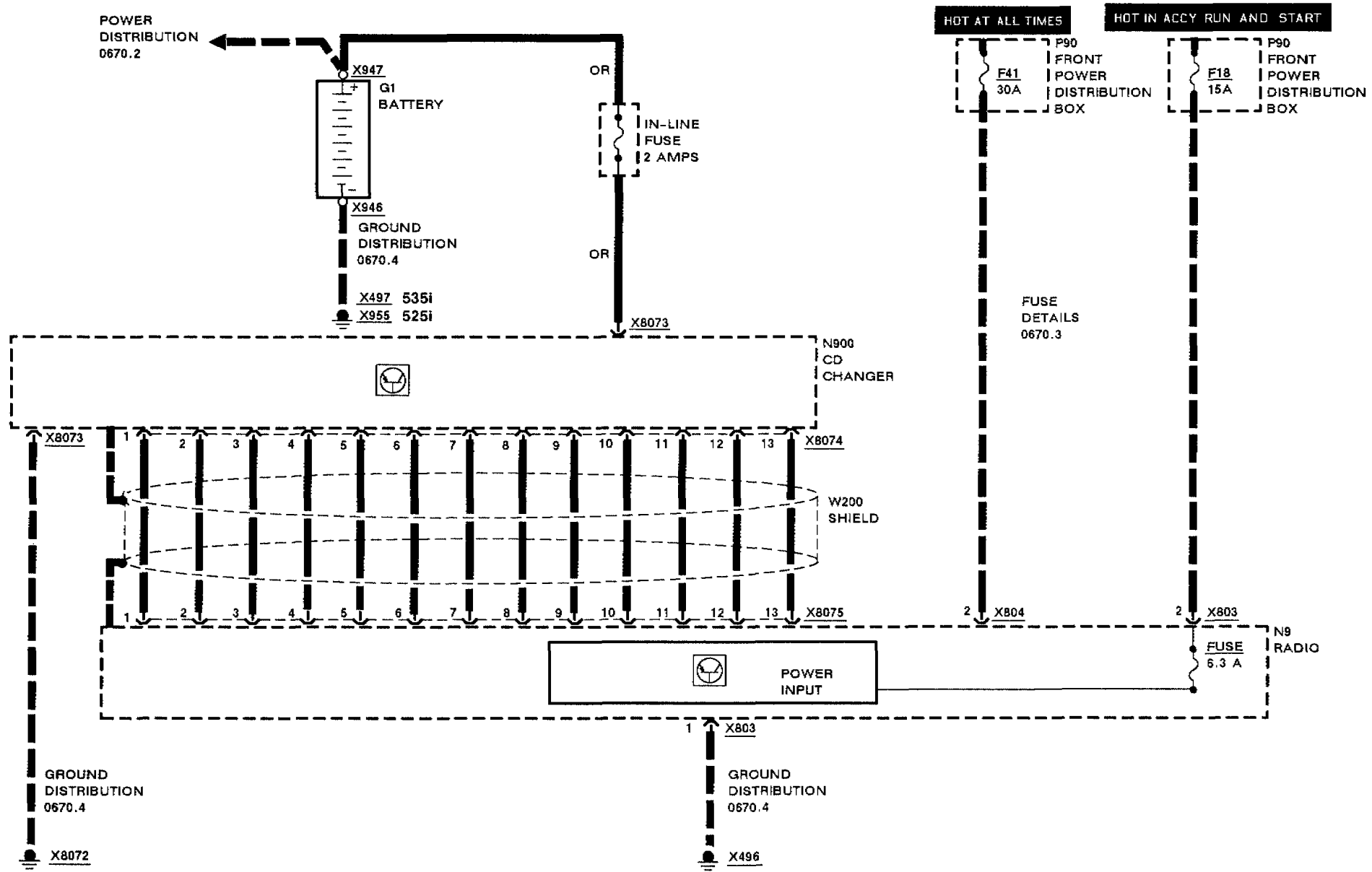
## HIFI, TEN SPEAKER SYSTEM



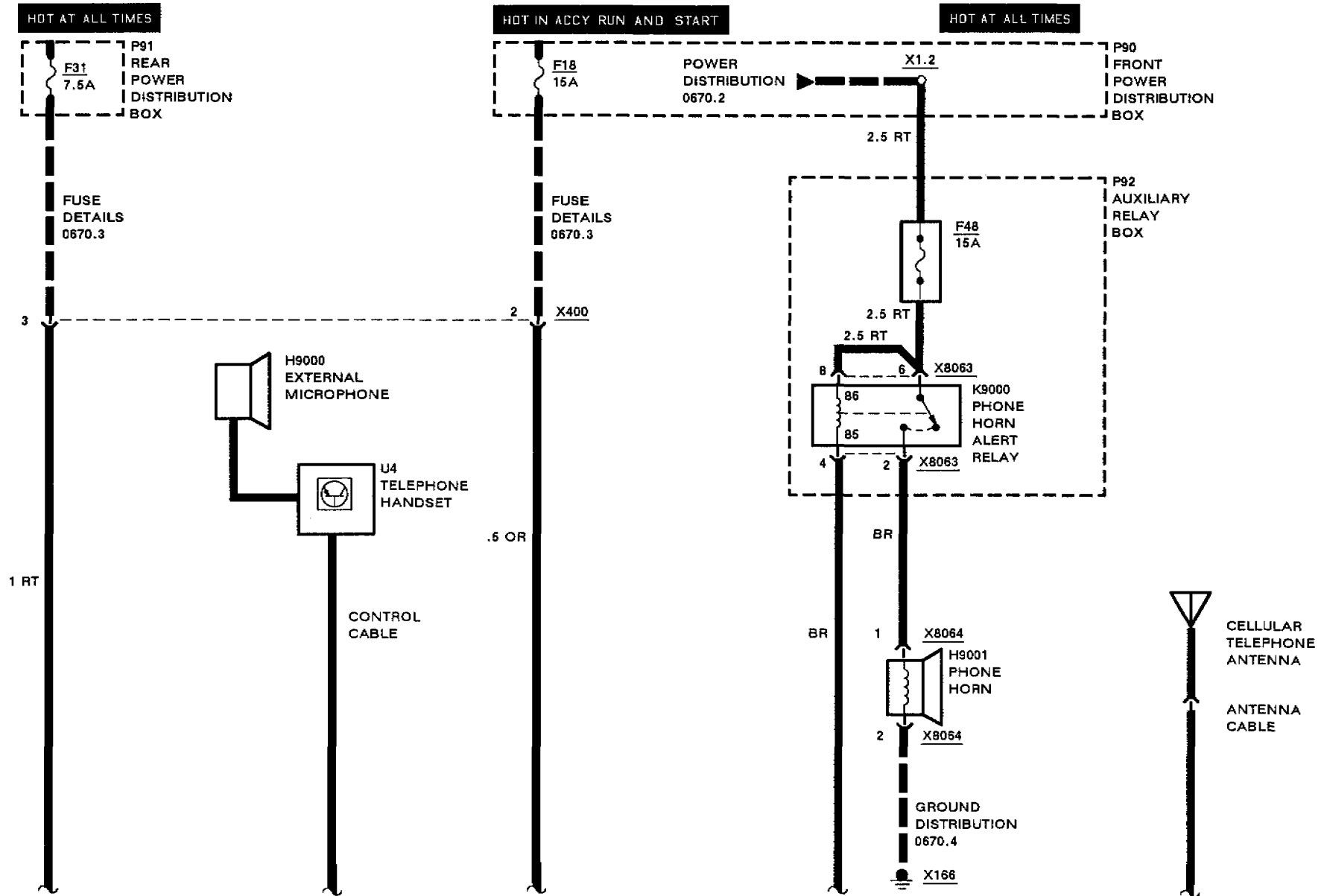


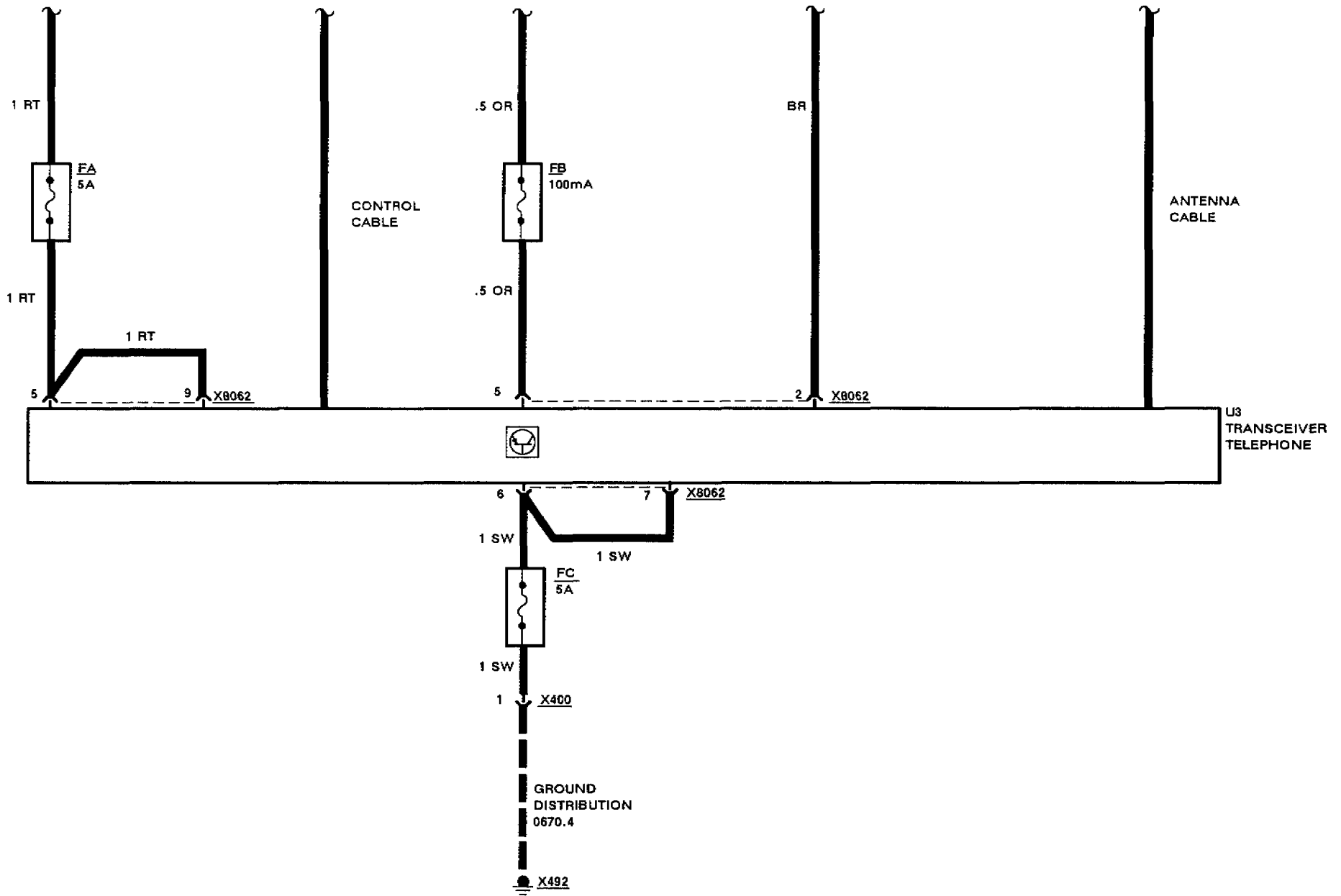
# RADIO/ CD PLAYER (PROVISIONS)

## CD CHANGER (IF EQUIPPED)



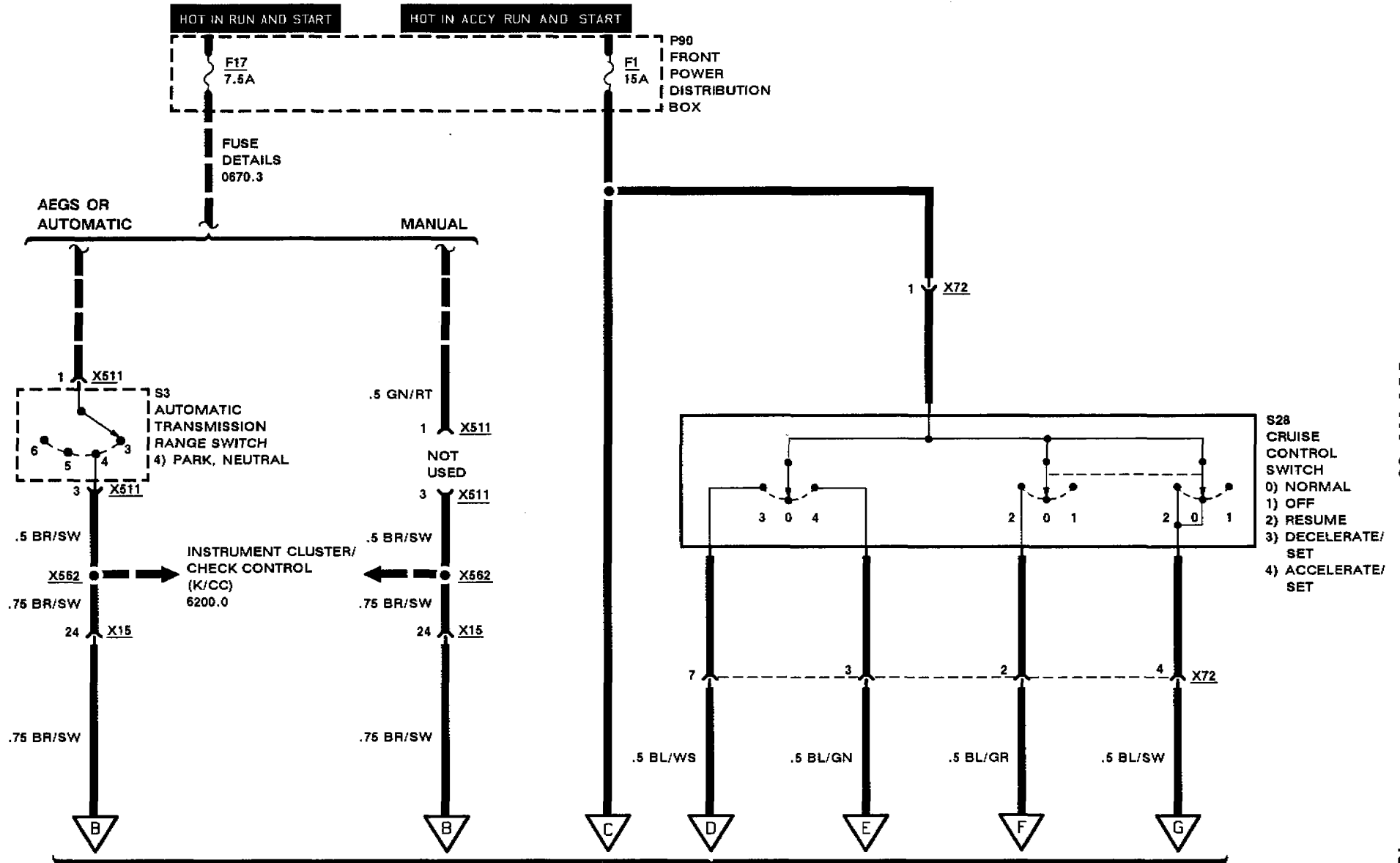
# CELLULAR TELEPHONE (PROVISIONS)







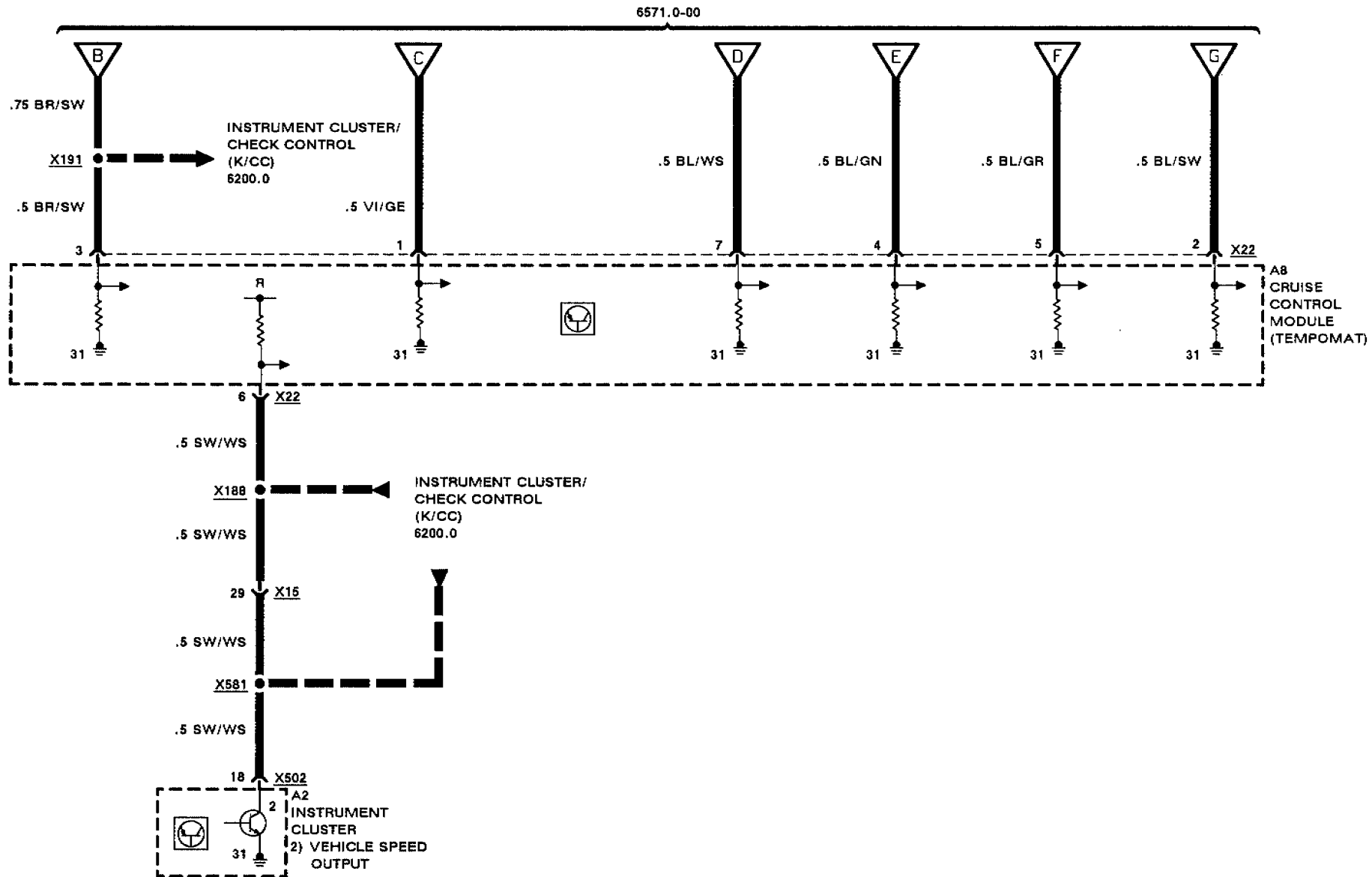
# CRUISE CONTROL (TEMPOMAT)



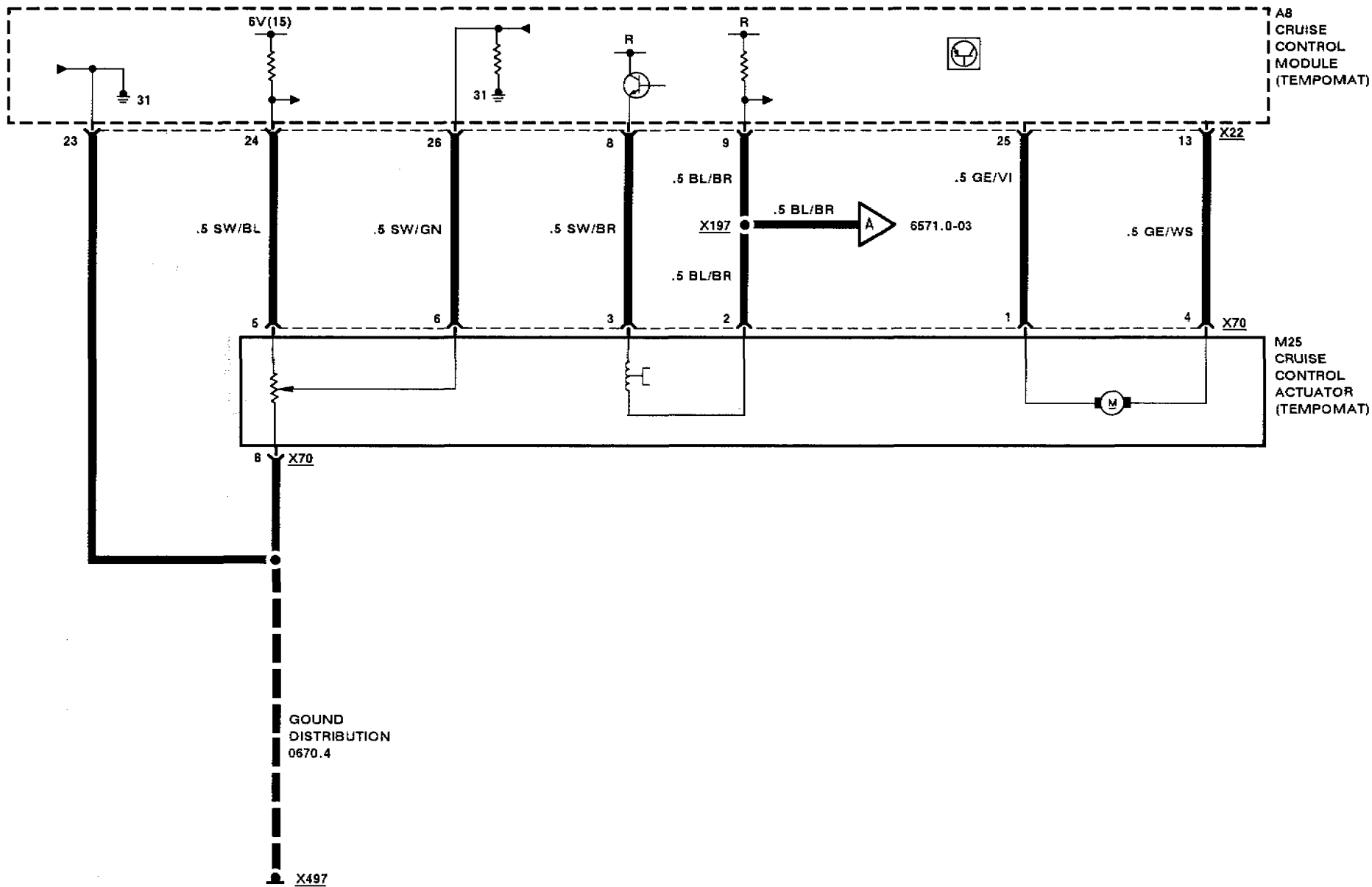
6571.0-01



**BMW 5 CRUISE CONTROL (TEMPOMAT)**

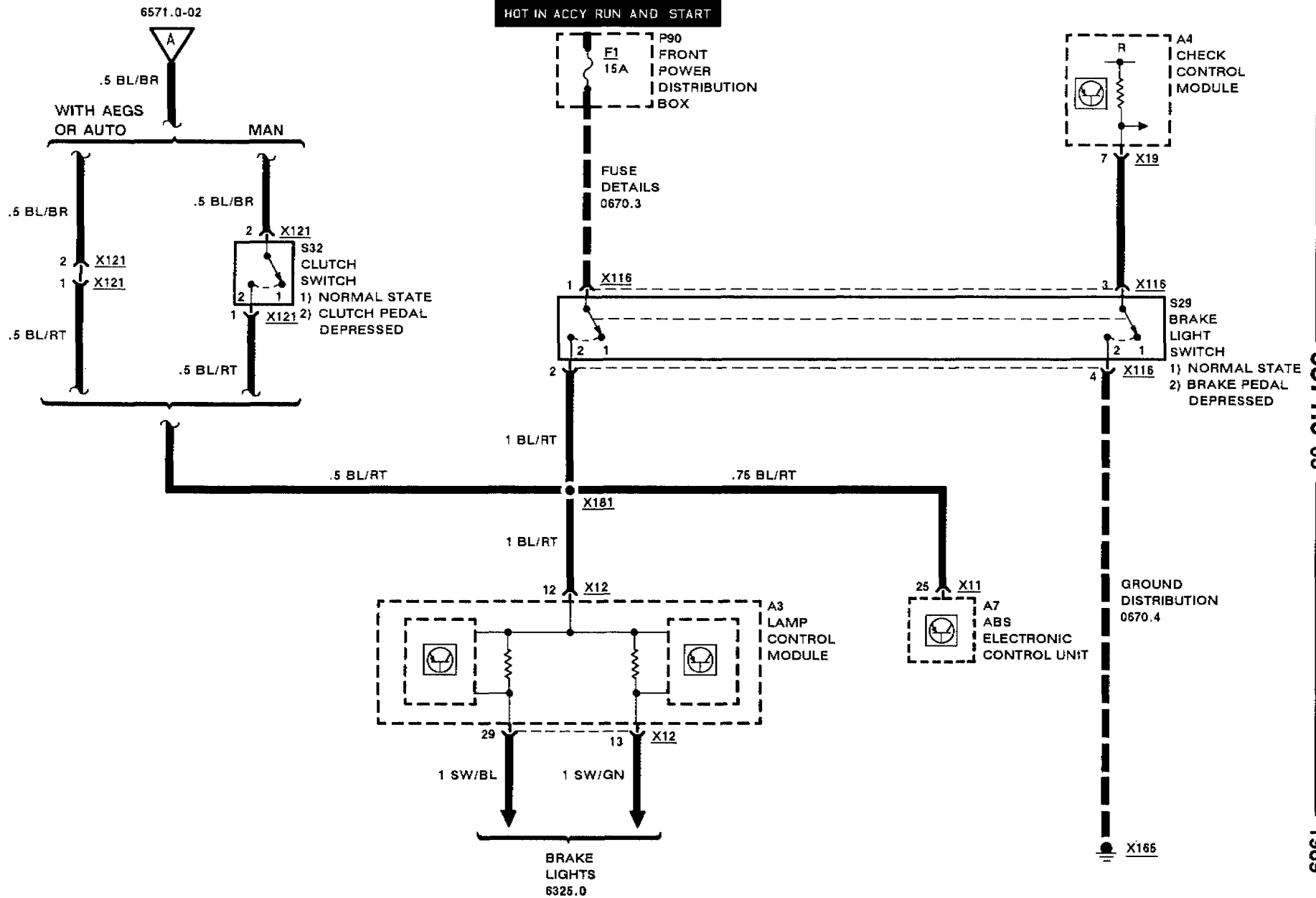


**BMW 5** CRUISE CONTROL (TEMPOMAT)



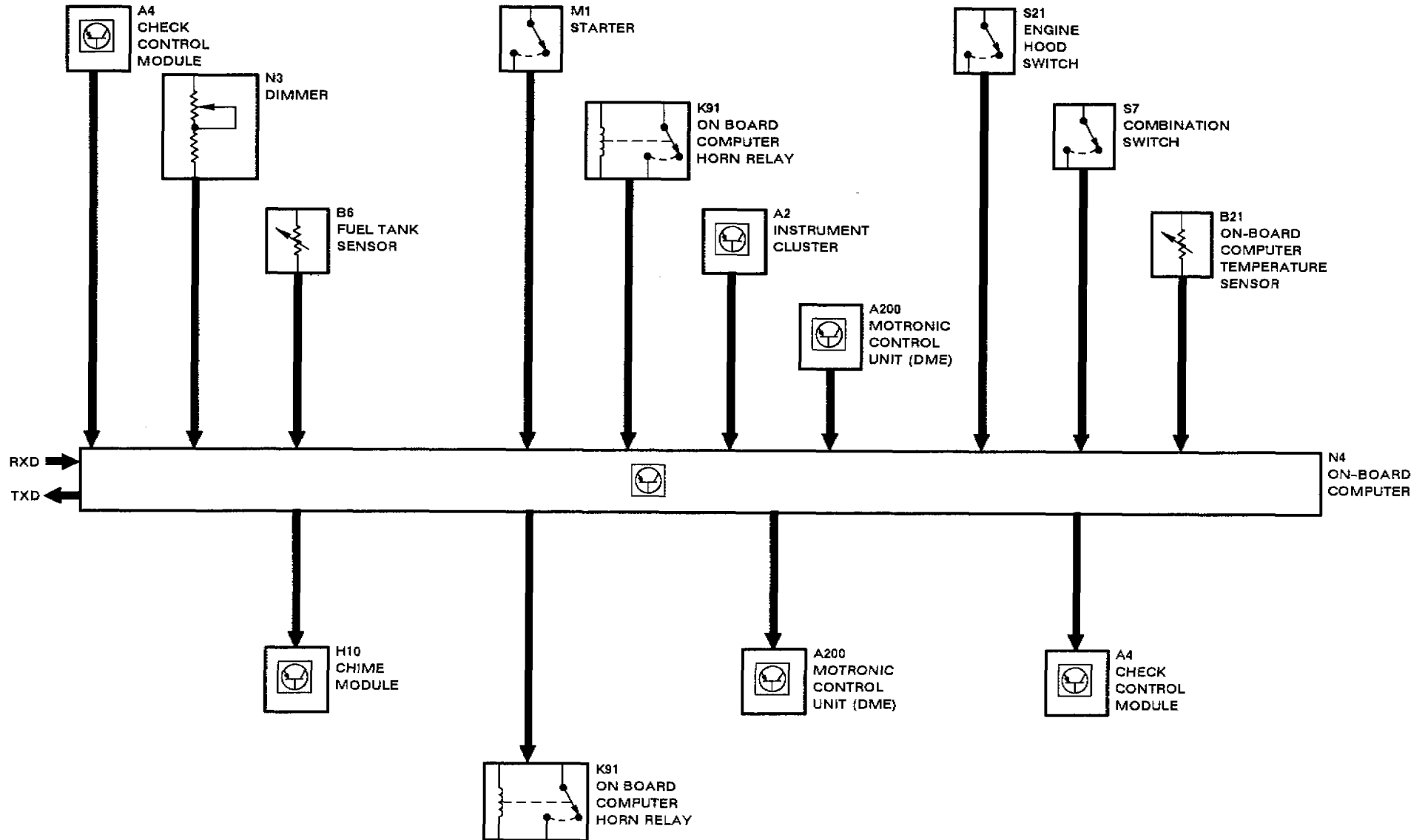


# CRUISE CONTROL (TEMPOMAT)

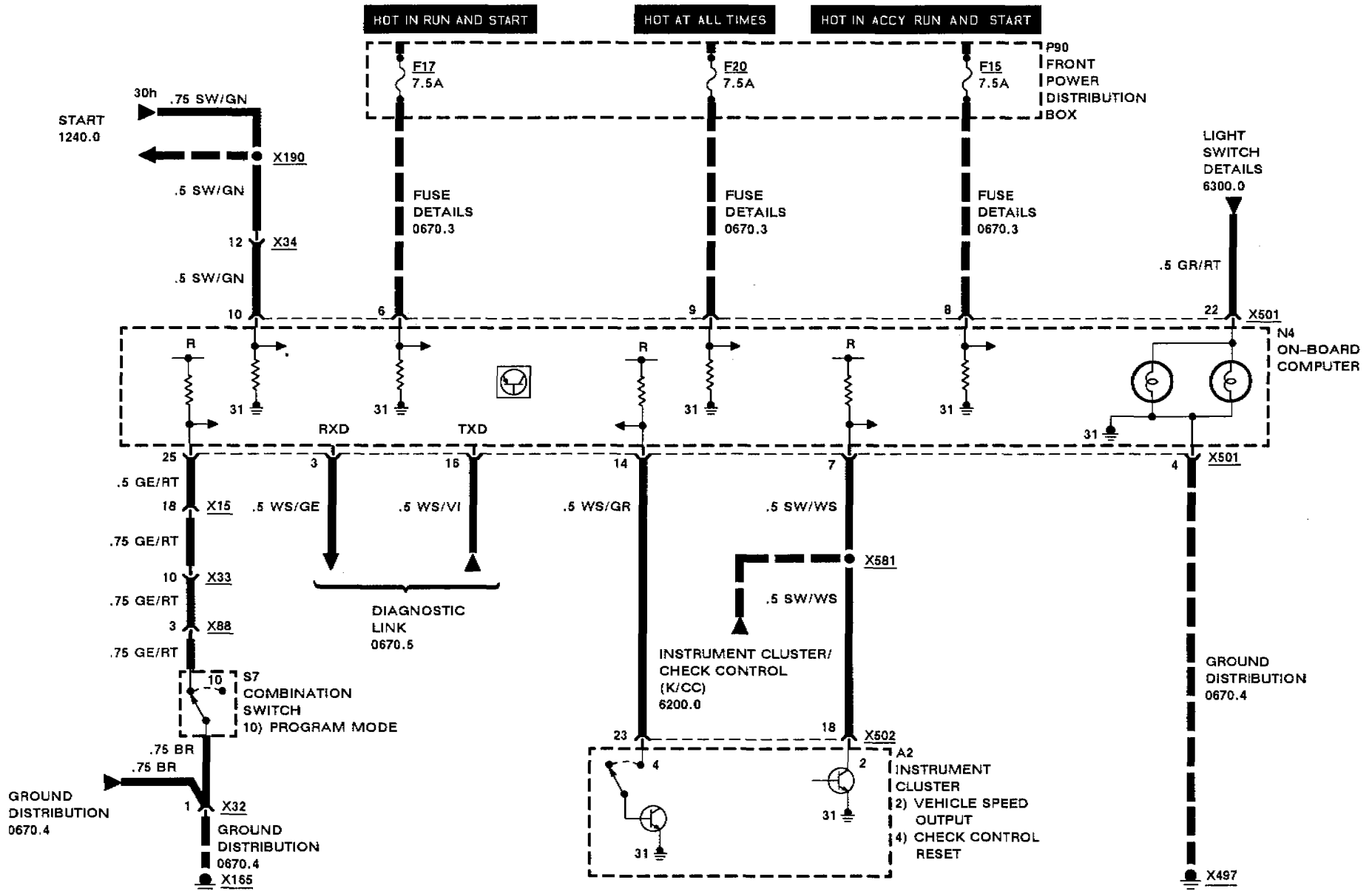




# ON-BOARD COMPUTER (BCIV)

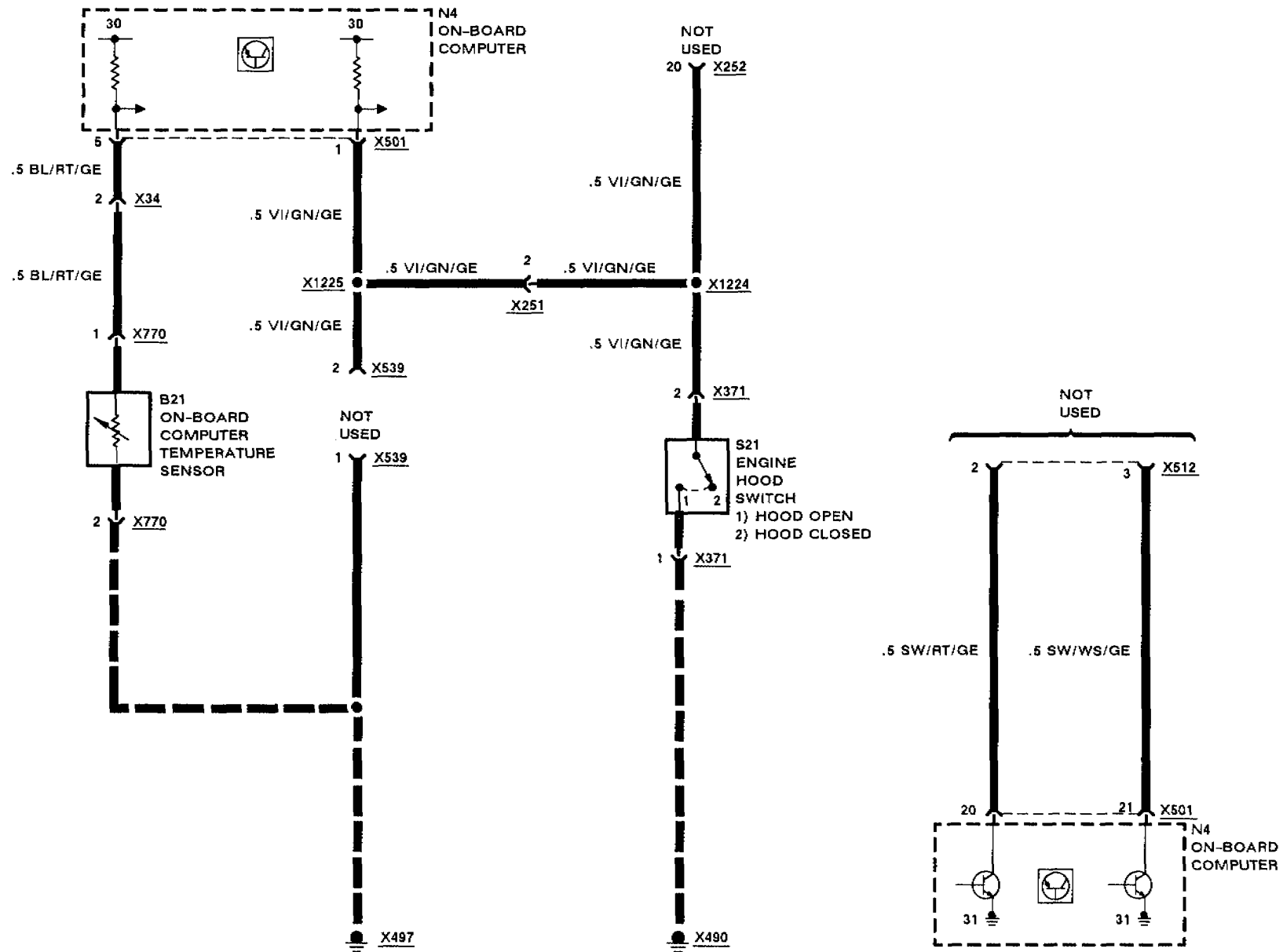


# ON-BOARD COMPUTER (BCIV)





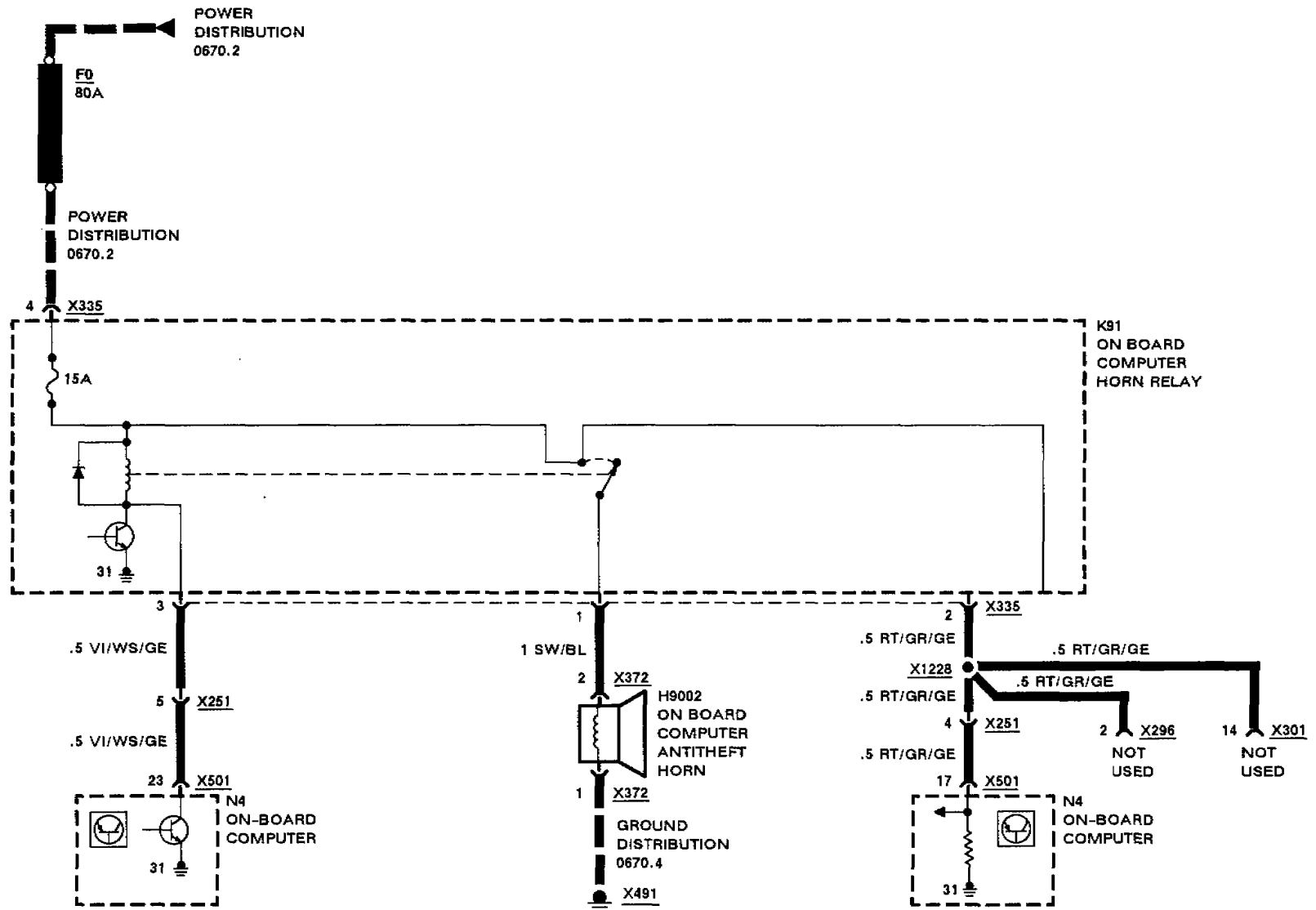
# ON-BOARD COMPUTER (BCIV)





# ON-BOARD COMPUTER (BCIV)

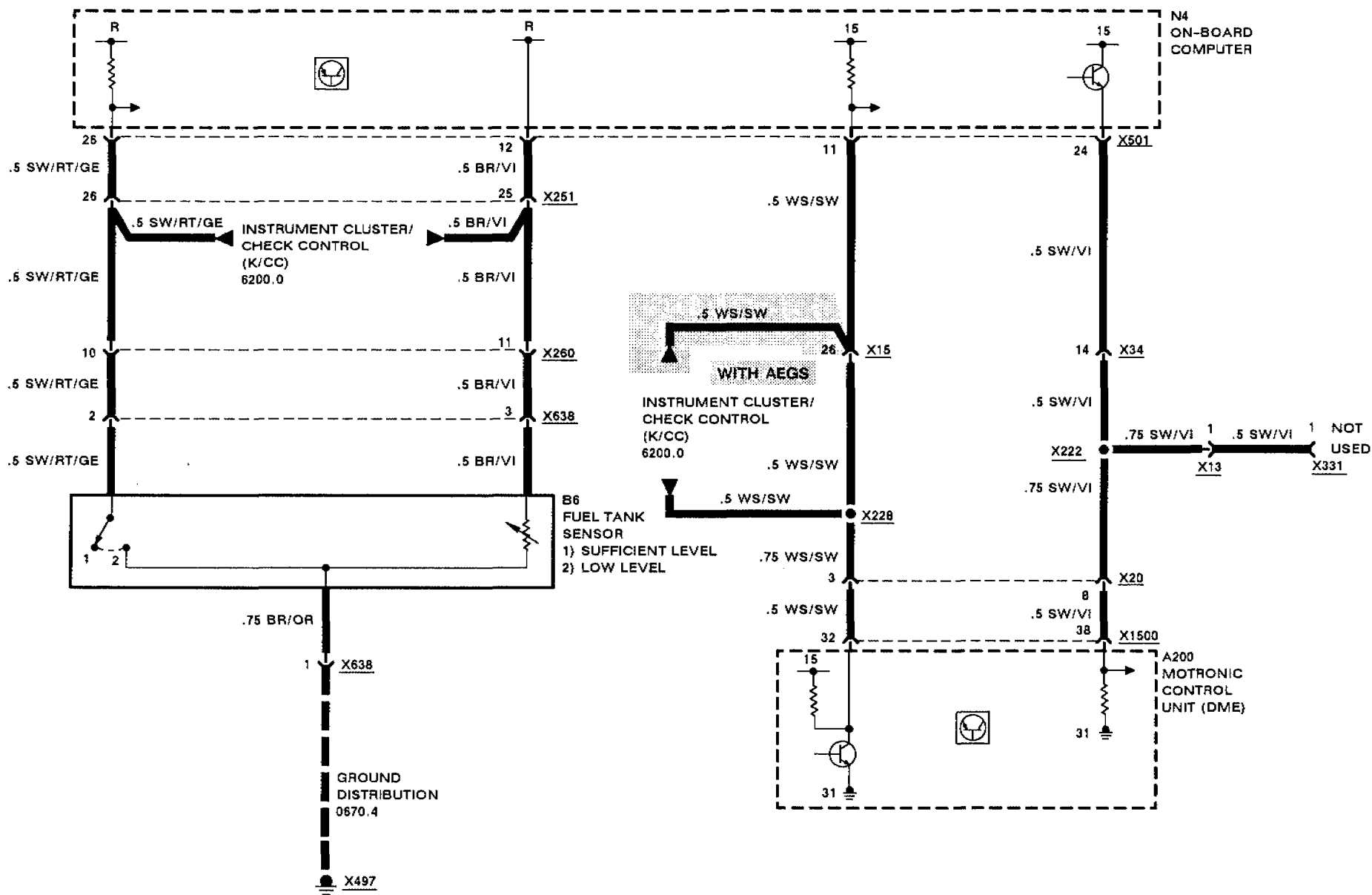
## ANTITHEFT HORN





# ON-BOARD COMPUTER (BCIV)

## FUEL GAUGE

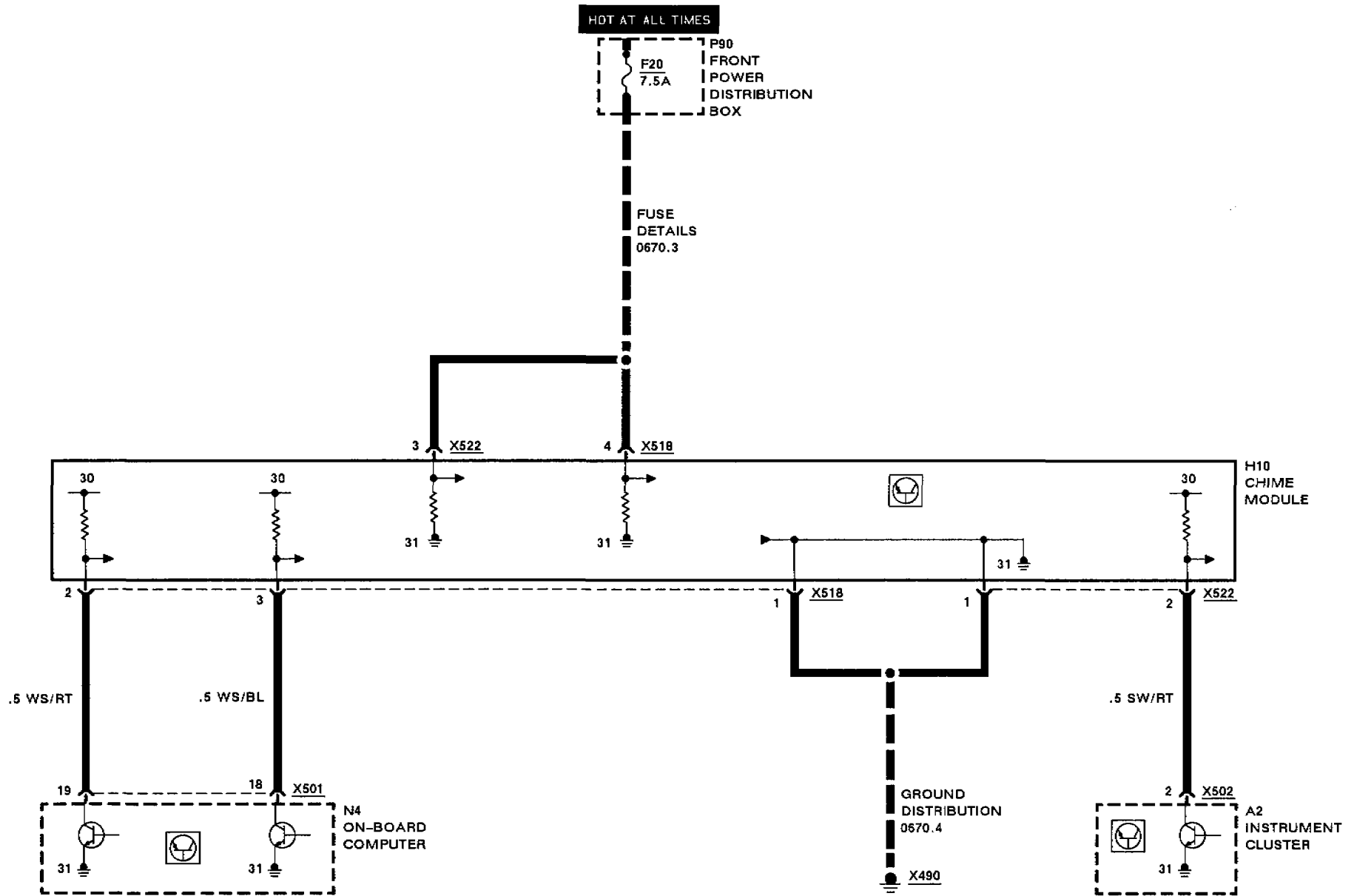






# ON-BOARD COMPUTER (BCIV)

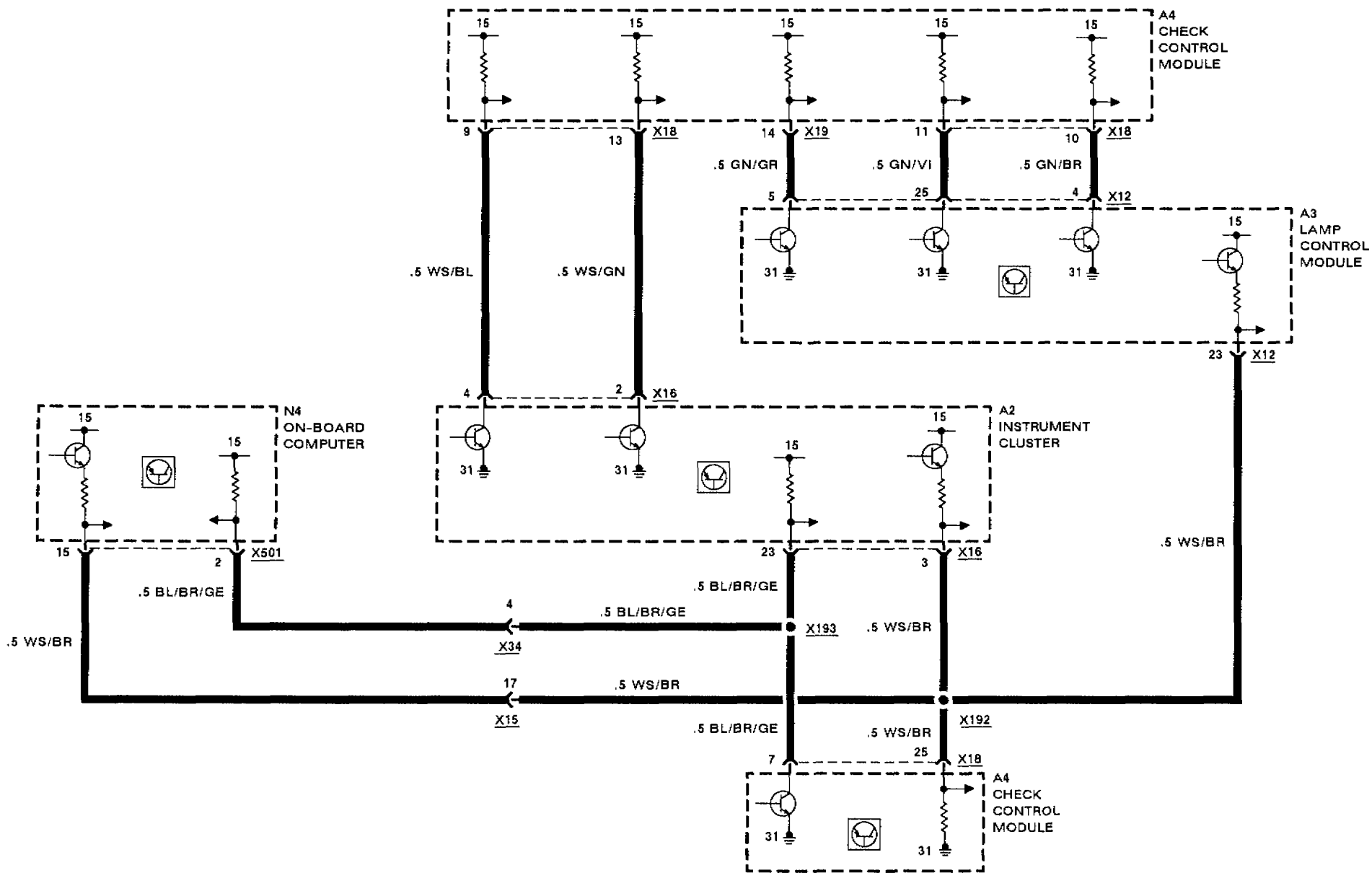
## CHIME MODULE





# ON-BOARD COMPUTER (BCIV)

## DATA LINK





# COMPONENT LOCATION CHART

## COMPONENTS

Page-Figure

A1 . . . . .	General Module . . . . .	Below LH side of rear seat, in P91 Rear Power Distribution Box . . . . .	7100.0-34-2
A3 . . . . .	Lamp Control Module . . . . .	LH rear of engine compartment, in P90 Front Power Distribution Box . . . . .	7100.0-01-1
A4 . . . . .	Check Control Module . . . . .	LH rear of engine compartment, in P90 Front Power Distribution Box . . . . .	7100.0-01-1
A5 . . . . .	Relay Module . . . . .	Below LH side of rear seat, in P91 Rear Power Distribution Box . . . . .	7100.0-34-2
A7 . . . . .	ABS Electronic Control Unit . . . . .	In P93 E-Box, behind RH front shock tower . . . . .	7100.0-13-2
A8 . . . . .	Cruise Control Module (Tempomat) . . . . .	In P93 E-Box, behind RH front shock tower . . . . .	7100.0-13-2
A12 . . . . .	Diagnostic Module (SRS) . . . . .	Behind LH side of dash, on LH side of steering column . . . . .	7100.0-22-1
A16 . . . . .	Compressor Control Unit . . . . .	Inside LH kick panel . . . . .	7100.0-20-3
A17 . . . . .	Servotronic Control Unit . . . . .	Inside LH kick panel . . . . .	Not in US
A18 . . . . .	HIFI Amplifier . . . . .	LH side of luggage compartment, on brace . . . . .	7100.0-39-1
A31 . . . . .	Defogger Control Unit . . . . .	Behind center of dash, RH side of IHKR plenum . . . . .	Not in US
A200 . . . . .	Motronic Control Unit (DME) . . . . .	In P93 E-Box, behind RH front shock tower . . . . .	7100.0-13-2
A300 . . . . .	Electronic Transmission Control Unit (AEGS) . . . . .	Inside RH kick panel . . . . .	7100.0-29-3
A9000 . . . . .	Integrated Climate Regulation Control Unit (IHKR) . . . . .	Behind center of dash, ahead of IHKR plenum . . . . .	7100.0-29-2
B1 . . . . .	Right Front Speed Sensor . . . . .	Behind RH front wheel . . . . .	7100.0-17-1
B2 . . . . .	Left Front Speed Sensor . . . . .	Behind LH front wheel . . . . .	7100.0-16-3
B3 . . . . .	Right Rear Speed Sensor . . . . .	Behind RH rear wheel, on axle . . . . .	7100.0-17-3
B4 . . . . .	Left Rear Speed Sensor . . . . .	Behind LH rear wheel, on axle . . . . .	7100.0-17-2
B6 . . . . .	Fuel Tank Sensor . . . . .	Below luggage compartment, through RH access panel, RH side of spare tire . . . . .	7100.0-38-3
B7 . . . . .	Low Pressure Switch . . . . .	RH front of engine compartment, below washer reservoir . . . . .	7100.0-09-2
B8 . . . . .	High Pressure Switch . . . . .	RH front of engine compartment below washer reservoir . . . . .	7100.0-09-2
B9 . . . . .	Intermediate Pressure Switch . . . . .	RH front of engine compartment, below washer reservoir . . . . .	7100.0-09-2
B10 . . . . .	Vehicle Speed Sensor . . . . .	Rear of car, on differential . . . . .	7100.0-20-2
B11 . . . . .	Left Heat Exchanger Temperature Sensor . . . . .	Behind LH side of dash, in LH side of IHKR plenum . . . . .	7100.0-25-1
B12 . . . . .	Right Heat Exchanger Temperature Sensor . . . . .	Behind RH side of dash, in RH side of IHKR plenum . . . . .	7100.0-29-1



# COMPONENT LOCATION CHART

## COMPONENTS

		Page-Figure
B13 . . . . .	Outside Temperature Sensor . . . . .	Behind center of cowl, on RH side of M30 Blower Motor . . . . . 7100.0-15-3
B14 . . . . .	Evaporator Temperature Sensor . . . . .	Behind LH side of dash, on lower LH side of IHKR plenum . . . . . 7100.0-25-2
B15 . . . . .	Electro-Hydraulic Converter (Servotronic) . . . . .	Lower LH front of engine compartment, behind LH front wheel . . . . . Not in US
B16 . . . . .	Left Front Brake Pad Sensor . . . . .	Behind LH front wheel, on caliper . . . . . 7100.0-16-3
B17 . . . . .	Right Rear Brake Pad Sensor . . . . .	Behind RH rear wheel, on caliper . . . . . 7100.0-17-3
B18 . . . . .	Brake Fluid Level Switch (M20 Engine) . . . . .	LH rear of engine compartment, top of brake fluid reservoir . . . . . 7100.0-02-2
B18 . . . . .	Brake Fluid Level Switch (M30 Engine) . . . . .	LH rear of engine compartment, top of brake fluid reservoir . . . . . 7100.0-02-3
B21 . . . . .	On-Board Computer Temperature Sensor . . . . .	Under LH side of front bumper . . . . . 7100.0-16-2
B201 . . . . .	Cylinder Identification Sensor . . . . .	RH front of engine, near distributor . . . . . 7100.0-10-3
B202 . . . . .	Engine Speed/Reference Point Sensor . . . . .	Front of engine, below distributor . . . . . 7100.0-10-3
B203 . . . . .	Oxygen Sensor (M30 Engine) . . . . .	In top of catalyst, near rear of transmission . . . . . 7100.-19-3
B203 . . . . .	Oxygen Sensor (M20 Engine) . . . . .	Lower RH side of engine compartment . . . . . 7100.0-12-3
B204 . . . . .	Coolant Temperature Sensor (M30 Engine) . . . . .	On coolant inlet, near valve cover . . . . . 7100.0-10-2
B204 . . . . .	Coolant Temperature Sensor (M20 Engine) . . . . .	On coolant inlet, near valve cover . . . . . 7100.0-10-1
B205 . . . . .	Oil Level Sensor (M20 Engine) . . . . .	On bottom of oil pan . . . . . 7100.0-18-1
B205 . . . . .	Oil Level Sensor (M30 Engine) . . . . .	On bottom of oil pan . . . . . 7100.0-18-2
B206 . . . . .	Oil Pressure Switch (M30 Engine) . . . . .	Top rear of engine, rear of cylinder head . . . . . 7100.0-15-2
B206 . . . . .	Oil Pressure Switch (M20 Engine) . . . . .	Lower LH front of engine . . . . . 7100.0-19-1
B207 . . . . .	Coolant Temperature Sender (M30 Engine) . . . . .	On coolant inlet, near valve cover . . . . . 7100.0-10-2
B207 . . . . .	Coolant Temperature Sender (M20 Engine) . . . . .	On coolant inlet, near valve cover . . . . . 7100.0-10-1
B208 . . . . .	Air Flow Meter (M20 Engine) . . . . .	LH side of engine . . . . . 7100.0-05-3
B208 . . . . .	Air Flow Meter (M30 Engine) . . . . .	Top center of engine, ahead of oil fill cap . . . . . 7100.0-12-2
B210 . . . . .	Temperature Switch . . . . .	In P93 E-Box, behind RH front shock tower . . . . . 7100.0-14-1
B900 . . . . .	Jumper Plug . . . . .	LH rear of engine compartment, in P90 Front Power Distribution Box . . . . . 7100.0-00-3
C100 . . . . .	Contact Ring . . . . .	Inside steering wheel . . . . . 7100.0-23-2



# COMPONENT LOCATION CHART

## COMPONENTS

			Page-Figure
C900 . . . .	Defogger Coupler . . . . .	In RH "C" Pillar . . . . .	7100.0-38-2
D100 . . . .	Diagnostic Connector . . . . .	LH rear of engine compartment, RH side of shock tower . . . . .	7100.0-01-3
E48 . . . . .	Door Lock Heater . . . . .	In door, at key lock assembly	
E51 . . . . .	Left Washer Jet Heater . . . . .	Under cover, on engine hood . . . . .	7100.0-07-3
E52 . . . . .	Right Washer Jet Heater . . . . .	Under cover, on engine hood . . . . .	7100.0-08-1
E56 . . . . .	Driver's Seatback Heater . . . . .	In back of driver's seat	
E57 . . . . .	Driver's Seat Heater . . . . .	In driver's seat	
E58 . . . . .	Passenger's Seat Heater . . . . .	In passenger's seat	
E59 . . . . .	Passenger's Seatback Heater . . . . .	In back of passenger's seat	
F0 . . . . .	Fusible Link 80A . . . . .	RH side of engine compartment . . . . .	7100.0-09-3
F99 . . . . .	Fusible Link 50A (535i) . . . . .	Below RH side of rear seat . . . . .	7100.0-36-3
F99 . . . . .	Fusible Link 50A (525i) . . . . .	Below RH side of rear seat . . . . .	7100.0-36-1
G1 . . . . .	Battery (M30 Engine) . . . . .	Below RH side of rear seat . . . . .	7100.0-36-3
G1 . . . . .	Battery (M20 Engine) . . . . .	RH front of engine compartment . . . . .	7100.0-09-3
G2 . . . . .	Alternator . . . . .	Lower LH front of engine . . . . .	7100.0-06-3
G5 . . . . .	Driver's Air Bag Generator . . . . .	Inside center of steering wheel . . . . .	7100.0-23-2
H2 . . . . .	Left Horn . . . . .	Front of car, behind grille . . . . .	7100.0-08-2
H3 . . . . .	Right Horn . . . . .	Front of car, behind grille . . . . .	7100.0-08-2
H10 . . . . .	Chime Module . . . . .	Behind LH side of dash, mounted in hush panel . . . . .	7100.0-21-3
H60 . . . . .	Audible Turn-Signal Relay . . . . .	Below steering column . . . . .	7100.0-24-1
H9002 . . . .	On Board Computer Antitheft Horn . . . . .	Behind center of cowl . . . . .	7100.0-15-3
K1 . . . . .	Starter Relay . . . . .	LH rear of engine compartment, in P90 Front Power Distribution Box . . . . .	7100.0-00-3
K2 . . . . .	Horn Relay . . . . .	LH rear of engine compartment, in P90 Front Power Distribution Box . . . . .	7100.0-00-3
K3 . . . . .	Unloader Relay, KLR . . . . .	LH rear of engine compartment, in P90 Front Power Distribution Box . . . . .	7100.0-00-3
K4 . . . . .	Blower Relay . . . . .	LH rear of engine compartment, in P90 Front Power Distribution Box . . . . .	7100.0-00-3



# COMPONENT LOCATION CHART

## COMPONENTS

		Page-Figure
K5 . . . . .	Washer Pump Relay . . . . .	LH rear of engine compartment, in P90 Front Power Distribution Box . . . . . Not in US
K9 . . . . .	Unloader Relay, KL15 . . . . .	LH rear of engine compartment, in P90 Front Power Distribution Box . . . . . 7100.0-01-1
K11 . . . . .	Wiper Relay . . . . .	Below LH side of rear seat, on P91 Rear Power Distribution Box . . . . . 7100.0-34-3
K12 . . . . .	Wiper Pressure Control (ADV) Relay . . . . .	Below LH side of rear seat, on P91 Rear Power Distribution Box . . . . . 7100.0-34-2
K13 . . . . .	Rear Defogger Relay . . . . .	Below LH side of rear seat, on P91 Rear Power Distribution Box . . . . . 7100.0-34-3
K15 . . . . .	Electric Power Protection Relay . . . . .	Below LH side of rear seat, on P91 Rear Power Distribution Box . . . . . 7100.0-34-3
K16 . . . . .	Hazard Flasher Relay . . . . .	LH rear of engine compartment, in P90 Front Power Distribution Box . . . . . 7100.0-00-3
K21 . . . . .	Normal Speed Relay . . . . .	LH side of engine compartment, in P92 Auxiliary Relay Box. . . . . 7100.0-04-1
K22 . . . . .	High Speed Relay . . . . .	LH side of engine compartment, in P92 Auxiliary Relay Box. . . . . 7100.0-04-1
K33 . . . . .	Air Conditioning Relay . . . . .	LH side of engine compartment, in P92 Auxiliary Relay Box. . . . . 7100.0-04-1
K50 . . . . .	Water Pump Relay. . . . .	LH rear of engine compartment, in P90 Front Power Distribution Box . . . . . 7100.0-01-1
K91 . . . . .	On-Board Computer Horn Relay. . . . .	Below LH side of rear seat, ahead of P91 Rear Power Distribution Box . . . . . 7100.0-35-1
K201 . . . . .	Fuel Pump Relay (M20 Engine) . . . . .	In P93 E-Box, behind RH front shock tower . . . . . 7100.0-14-1
K201 . . . . .	Fuel Pump Relay (M30 Engine) . . . . .	In P93 E-Box, behind RH front shock tower . . . . . 7100.0-13-3
K202 . . . . .	Main Relay (M20 Engine). . . . .	In P93 E-Box, behind RH front shock tower . . . . . 7100.0-14-1
K202 . . . . .	Main Relay (M30 Engine). . . . .	In P93 E-Box, behind RH front shock tower . . . . . 7100.0-13-3
K203 . . . . .	Oxygen Sensor Relay . . . . .	In P93 E-Box, behind RH shock tower . . . . . 7100.0-13-3
M1 . . . . .	Starter (M20 Engine) . . . . .	LH side of engine, below intake manifold . . . . . 7100.0-03-1



# COMPONENT LOCATION CHART

## COMPONENTS

			Page-Figure
M1	Starter (M30 Engine)	LH side of engine, below intake manifold	7100.0-03-2
M2	Fuel Pump	Below luggage compartment, RH side of spare tire	7100.0-38-3
M3	Wiper Motor	Behind LH side of fresh air cowl	7100.0-00-1
M4	Washer Pump	RH front of engine compartment, on washer fluid reservoir	7100.0-09-1
M5	Intensive Wash Pump	RH front of engine compartment, on washer fluid reservoir	Not in US
M6	Wiper Pressure Control Motor (ADV)	Behind LH side of fresh air cowl	7100.0-00-2
M9	Auxiliary Fan Motor	Center front of engine compartment, behind bumper	7100.0-08-2
M12	Driver's Door Lock Motor	Top rear of driver's door	7100.0-30-3
M13	Passenger's Door Lock Motor	Top rear of passenger's door	7100.0-30-3
M14	Right Rear Door Lock Motor	Top rear of RH rear door	7100.0-31-2
M15	Left Rear Door Lock Motor	Top rear of LH rear door	7100.0-31-2
M16	Gas Filler Lock Motor	In luggage compartment, behind RH wheel well	7100.0-39-2
M17	Trunk Lock Motor	In trunk lid, RH side of lid lock assembly	7100.0-40-2
M20	Left Rear Window Motor	Lower front of LH rear door	7100.0-31-2
M21	Driver's Window Motor	Lower front of driver's door	7100.0-30-3
M22	Right Rear Window Motor	Lower front of RH rear door	7100.0-31-2
M23	Passenger's Window Motor	Lower front of passenger's door	7100.0-30-3
M24	Sunroof Motor	In center of windshield header, near rear view mirror	7100.0-25-3
M25	Cruise Control Actuator (Tempomat)	Left center of engine compartment, ahead of shock tower	7100.0-05-2
M30	Blower Motor	Behind center of cowl	7100.0-15-3
M31	Left Footwell Flap Motor	Behind LH side of dash, on LH side of IHKR plenum	7100.0-25-1
M32	Right Footwell Flap Motor	Behind RH side of dash, on RH side of IHKR plenum	7100.0-29-1
M34	Right Mixing Flap Motor	Behind center of dash, RH side of N9 Radio	7100.0-29-1
M35	Defroster Flap Motor	Behind LH side of dash, on lower LH side of IHKR plenum	7100.0-25-1
M36	Fresh Air Flap Motor	Behind LH side of dash, on LH side of IHKR plenum	7100.0-25-1
M37	Water Pump	LH rear of engine compartment, on engine bulkhead	7100.0-02-1
M40	Air Circulation Flap Motor	Behind LH side of dash, on LH side of IHKR plenum	7100.0-25-1



# COMPONENT LOCATION CHART

## COMPONENTS

		Page-Figure
M50	Driver's Seat Cushion Tilt Motor	Under LH side of driver's seat . . . . . 7100.0-31-3
M51	Driver's Seat Movement Motor	Under RH side of driver's seat . . . . . 7100.0-32-1
M52	Driver's Seat Height Motor	Under front of driver's seat . . . . . 7100.0-31-3
M53	Driver's Seatback Recliner Motor	Under front of driver's seat . . . . . 7100.0-31-3
M54	Driver's Headrest Motor	In top RH corner of driver's seatback . . . . . 7100.0-34-1
M57	Passenger's Seat Headrest Motor	In top RH corner of passenger's seatback . . . . . 7100.0-34-1
M58	Passenger's Seatback Recliner Motor	Under front of passenger's seat . . . . . 7100.0-32-3
M59	Passenger's Seat Height Motor	Under front of passenger's seat . . . . . 7100.0-32-3
M60	Passenger's Seat Movement Motor	Under RH side of passenger's seat . . . . . 7100.0-32-3
M61	Passenger's Seat Cushion Tilt Motor	Under LH side of passenger's seat . . . . . 7100.0-32-3
M201	E-Box Fan	In P93 E-Box, below modules . . . . . 7100.0-14-2
N2	Final Stage Unit	In LH side of RH footwell, ahead of IHKR plenum . . . . . 7100.0-29-2
N4	On-Board Computer	Center of dash, RH side of N9 Radio . . . . . 7100.0-26-2
N8	Antenna Amplifier	In LH "C" pillar . . . . . 7100.0-38-1
N17	Crash Control Unit	LH rear of engine compartment, in P90 Front Power Distribution Box . . . . . 7100.0-01-1
P90	Front Power Distribution Box	LH rear of engine compartment . . . . . 7100.0-02-1
P91	Rear Power Distribution Box	Below LH side of rear seat . . . . . 7100.0-34-2
P92	Auxiliary Relay Box	LH side of engine compartment, ahead of shock tower . . . . . 7100.0-05-2
P93	E-Box	RH side of engine, behind RH front shock tower . . . . . 7100.0-13-1
R1	Temperature Distribution Potentiometer	Behind center of dash, above N9 Radio . . . . . 7100.0-26-2
S10000	Rear Vent Flap Switch	In rear of console, on rear vent flap
S2	Ignition Switch	Top RH side of steering column . . . . . 7100.0-24-1
S3	Automatic Transmission Range Switch	Under console, at base of gear shifter . . . . . 7100.0-28-1
S4	Horn Switch	Top of steering column, in steering wheel
S7	Combination Switch	Inside top of steering column . . . . . 7100.0-23-3
S13	Passenger's Door Jamb Switch	In center rear of passenger's door jamb, in latch assembly
S14	Driver's Door Jamb Switch	In center rear of driver's door jamb, in latch assembly
S15	Right Rear Door Jamb Switch	In top of RH rear door jamb, in latch assembly
S16	Left Rear Door Jamb Switch	In top rear of LH rear door jamb, in latch assembly





# COMPONENT LOCATION CHART

## COMPONENTS

COMPONENTS		Page-Figure
S19	Underhood Light Switch	LH front of hood . . . . . 7100.0-07-2
S21	Engine Hood Switch	LH rear of engine compartment, rear of shock tower . . . . . 7100.0-01-1
S22	Battery Switch	Under RH side of rear seat, near battery . . . . . Not in US
S24	Rear Seat Switch	Under RH side of rear seat, right of battery . . . . . Not in US
S27	Inertia Switch	Below center of rear seat, RH side of P91 Rear Power Distribution Box . . . . . 7100.0-35-3
S29	Brake Light Switch	Behind LH side of dash, on brake pedal support bracket . . . . . 7100.0-22-1
S31	Park Brake Switch	Below console, on rear of park brake lever. . . . . 7100.0-28-2
S32	Clutch Switch	Behind LH side of dash, on clutch pedal support bracket
S36	Temperature Switch	RH top of radiator . . . . . 7100.0-08-3
S37	Glove Box Light Switch	In LH side of glove box . . . . . 7100.0-28-3
S39	Sunroof Position Switch	In center of windshield header, near rear view mirror . . . . . 7100.0-25-3
S43	Driver's Window Limit Switch	Center front of driver's door. . . . . 7100.0-30-3
S44	Passenger's Window Limit Switch	Center front of passenger's door . . . . . 7100.0-30-3
S45	Left Rear Window Limit Switch	Center front of LH rear door . . . . . 7100.0-31-2
S46	Right Rear Window Limit Switch	Center front of RH rear door . . . . . 7100.0-31-2
S47	Driver's Door Lock Switch	Behind driver's door lock assembly
S48	Driver's Door Handle Switch	In top rear of driver's door, near door handle cable
S49	Passenger's Door Lock Switch	Behind passenger's door lock assembly
S58	Driver's Seat Belt Switch	In driver's seat belt buckle
S61	Trunk Lid Switch	In center of trunk lid, in trunk latch assembly . . . . . 7100.0-40-1
S63	Coolant Level Switch	Top of coolant reservoir. . . . . 7100.0-12-2
S64	Washer Fluid Level Switch	RH side of washer fluid reservoir . . . . . 7100.0-09-1
S70	Safety Switch	LH side of engine compartment, near S71 Left Front Crash Sensor
S71	Left Front Crash Sensor	Ahead of LH shock tower . . . . . 7100.0-04-1
S72	Right Front Crash Sensor	Ahead of RH shock tower . . . . . 7100.0-11-3
S77	Driver's Makeup Mirror Switch	In driver's visor
S78	Passenger's Makeup Mirror Switch	In passenger's visor
S200	Throttle Switch (M20 Engine)	LH rear of engine . . . . . 7100.0-03-3



# COMPONENT LOCATION CHART

## COMPONENTS

		Page-Figure
S200 . . . .	Throttle Switch (M30 Engine) . . . . .	Top of engine, on throttle body . . . . . 7100.0-12-2
S301 . . . .	Transmission Kickdown Switch . . . . .	Behind LH side of dash, underneath accelerator pedal . . . 7100.0-24-3
S302 . . . .	Back-Up Switch . . . . .	Top RH side of transmission
S901 . . . .	Passenger's Visor Switch . . . . .	LH hinge of passenger's visor . . . . . 7100.0-26-1
S902 . . . .	Driver's Visor Switch . . . . .	RH hinge of driver's visor . . . . . 7100.0-26-1
T200 . . . .	Ignition Coil . . . . .	RH side of engine compartment, at strut tower . . . . . 7100.0-14-3
V6 . . . . .	Diode . . . . .	Behind center of dash
X779 . . . .	Charging Plug . . . . .	In LH side of glove box . . . . . 7100.0-28-3
Y1 . . . . .	ABS Hydraulic Unit (M30 Engine) . . . . .	LH center of engine compartment, near shock tower . . . . 7100.0-02-3
Y1 . . . . .	ABS Hydraulic Unit (M20 Engine) . . . . .	LH center of engine compartment, near shock tower . . . . 7100.0-02-2
Y2 . . . . .	Compressor Clutch . . . . .	Lower RH front of engine . . . . . 7100.0-18-3
Y4 . . . . .	Water Valve Assembly . . . . .	LH rear of engine compartment, on engine bulkhead . . . . 7100.0-02-1
Y201 . . . .	Fuel Injector 1 . . . . .	Top of engine, near B207 Coolant Temperature Sender . . . 7100.0-12-1
Y202 . . . .	Fuel Injector 2 . . . . .	Top of engine, on intake manifold . . . . . 7100.0-12-1
Y203 . . . .	Fuel Injector 3 . . . . .	Top of engine, on intake manifold . . . . . 7100.0-12-1
Y204 . . . .	Fuel Injector 4 . . . . .	Top of engine, on intake manifold . . . . . 7100.0-12-1
Y205 . . . .	Fuel Injector 5 . . . . .	Top of engine, on intake manifold . . . . . 7100.0-12-1
Y206 . . . .	Fuel Injector 6 . . . . .	Top of engine, on intake manifold . . . . . 7100.0-12-1
Y213 . . . .	Fuel Air Valve (M20 Engine) . . . . .	LH rear of engine . . . . . 7100.0-03-3
Y213 . . . .	Fuel Air Valve (M30 Engine) . . . . .	LH side of engine, RH side of oil filter . . . . . 7100.0-04-3
Y214 . . . .	Idle Speed Actuator (M20 Engine) . . . . .	On center rear of throttle body . . . . . 7100.0-05-3
Y214 . . . .	Idle Speed Actuator (M30 Engine) . . . . .	On center rear of throttle body . . . . . 7100.0-12-2
Y300 . . . .	Transmission . . . . .	LH rear side of transmission . . . . . 7100.0-19-2
X1.0 . . . .	Junction Post for Front Power Distribution Box . . . . .	Behind LH side of dash, under carpet . . . . . 7100.0-21-2
X1.1 . . . .	Junction Post for Front Power Distribution Box . . . . .	LH rear of engine compartment, in P90 Front Power Distribuiton Box . . . . . 7100.0-01-2
X1.2 . . . .	Junction Post for Front Power Distribution Box . . . . .	LH rear corner of engine compartment, in P90 Front Power Distribution Box . . . . . 7100.0-01-2
X13 . . . . .	Connector (21 pins) . . . . .	Below LH side of dash, below driver's footrest (White) . . . 7100.0-21-1
X14 . . . . .	Connector (30 pins) . . . . .	Below LH side of dash, below driver's footrest (Yellow) . . 7100.0-21-1



## COMPONENT LOCATION CHART

### COMPONENTS

		Page-Figure
X15	Connector (30 pins)	Below LH side of dash, near kick panel . . . . . 7100.0-22-2
X16	Connector (26 pins)	Behind LH side of dash, on rear of A2 Instrument Cluster (Yellow) . . . . . 7100.0-24-2
X17	Connector (24 pins)	Behind LH side of dash, on rear of A2 Instrument Cluster (Brown) . . . . . 7100.0-24-2
X18	Connector (26 pins)	LH rear of engine compartment, on A4 Check Control Module (Blue)
X19	Connector (26 pins)	LH rear of engine compartment, on A4 Check Control Module (Green)
X20	Connector (20 pins)	LH rear of engine compartment, near shock tower . . . . . 7100.0-01-3
X22	Connector (26 pins)	RH rear of engine compartment, on A8 Cruise Control Module (Tempomat)(Blue) . . . . . 7100.0-13-3
X31	Connector (12 pins)	LH center of engine compartment, on Y1 ABS Hydraulic Unit, under plastic cover
X32	Connector (12 pins)	Behind LH side of dash, LH side of steering column. . . . . 7100.0-22-2
X33	Connector (12 pins)	Behind LH side of dash, near kick panel . . . . . 7100.0-22-2
X34	Connector (21 pins)	Behind LH side of dash, near kick panel . . . . . 7100.0-22-2
X35	Connector (21 pins)	Behind LH side of dash, near kick panel . . . . . 7100.0-22-3
X61	Connector (9 pins)	LH rear of engine compartment, inside P92 Auxiliary Relay Box . . . . . 7100.0-04-1
X62	Connector (9 pins)	LH rear of engine compartment, in P90 Front Power Distribution Box . . . . . 7100.0-00-3
X71	Connector (8 pins)	Above E26 Left Fog Light . . . . . 7100.0-16-1
X72	Connector (8 pins)	Behind LH side of dash, LH side of steering column. . . . . 7100.0-22-2
X74	Connector (8 pins)	Behind LH side of dash, above footrest . . . . . 7100.0-23-1
X75	Connector (6 pins)	Behind LH side of dash, above footrest . . . . . 7100.0-23-1
X79	Connector (4 pins)	In P93 E-Box, behind RH front shock tower . . . . . 7100.0-14-1
X81	Connector (3 pins)	Ahead of LH shock tower . . . . . 7100.0-04-1
X83	Connector (3 pins)	Inside LH kick panel (Yellow) . . . . . 7100.0-20-3
X84	Connector (3 pins)	Inside LH kick panel (Yellow) . . . . . 7100.0-20-3



# COMPONENT LOCATION CHART

## COMPONENTS

		Page-Figure
X85 . . . .	Connector (3 pins) . . . . .	LH rear of engine compartment . . . . . 7100.0-01-3
X86 . . . .	Connector (3 pins) . . . . .	Ahead of RH shock tower . . . . . 7100.0-11-3
X88 . . . .	Connector (3 pins) . . . . .	Behind LH side of dash, on LH side of steering column . . . . . 7100.0-22-3
X105 . . . .	Connector (2 pins) . . . . .	On engine hood, under cover . . . . . 7100.0-07-3
X106 . . . .	Connector (2 pins) . . . . .	On engine hood, under cover . . . . . 7100.0-08-1
X110 . . . .	Connector (2 pins) . . . . .	RH front corner of engine compartment . . . . . 7100.0-09-1
X113 . . . .	Connector (2 pins) . . . . .	RH rear of engine compartment, near base of shock tower . . . . . 7100.0-11-2
X114 . . . .	Connector (2 pins) . . . . .	LH rear of engine compartment, bottom of shock tower . . . . . 7100.0-04-2
X118 . . . .	Connector (2 pins) . . . . .	On LH front wheel, above brake caliper . . . . . 7100.0-16-3
X120 . . . .	Connector (2 pins) . . . . .	LH side of engine compartment . . . . . 7100.0-04-2
X121 . . . .	Connector (2 pins) . . . . .	Behind LH side of dash, near clutch switch . . . . . 7100.0-22-3
X122 . . . .	Connector (2 pins) . . . . .	LH rear of engine compartment, on engine bulkhead . . . . . 7100.0-01-3
X126 . . . .	Connector (2 pins) . . . . .	RH front corner of engine compartment . . . . . 7100.0-09-2
X127 . . . .	Connector (2 pins) . . . . .	RH front corner of engine compartment . . . . . 7100.0-09-2
X146 . . . .	Connector (1 pin) . . . . .	LH rear of engine compartment, in P90 Front Power Distribution Box
X163 . . . .	Connector (3 pins) . . . . .	RH front of engine compartment, near Y2 Compressor Clutch . . . . . 7100.0-11-1
X165 . . . .	Ground (Dash) . . . . .	Behind LH side of dash, LH side of steering column . . . . . 7100.0-22-1
X166 . . . .	Ground . . . . .	RH front of engine compartment, ahead of wheel well . . . . . 7100.0-09-2
X167 . . . .	Ground . . . . .	LH front of engine compartment, ahead of wheel well. . . . . 7100.0-06-2
X170 . . . .	Terminal Post . . . . .	LH side of engine compartment, on Y1 ABS Hydraulic Unit . . . . . 7100.0-04-2
X175 . . . .	Ground . . . . .	LH front of engine compartment, ahead of wheel well. . . . . 7100.0-06-2
X179 . . . .	Ground . . . . .	RH front of engine compartment, ahead of wheel well . . . . . 7100.0-09-2
X251 . . . .	Connector (30 pins) . . . . .	Behind LH side of dash, LH side of steering column. . . . . 7100.0-22-1
X252 . . . .	Connector (26 pins) . . . . .	Below LH side of rear seat. . . . . 7100.0-35-1
X253 . . . .	Connector (26 pins) . . . . .	Below LH side of rear seat, on A1 General Module (Green)



# COMPONENT LOCATION CHART

## COMPONENTS

Page-Figure

X254 . . . .	Connector (26 pins) . . . . .	Below LH side of rear seat, on A1 General Module (White)	
X255 . . . .	Connector (26 pins) . . . . .	Below LH side of rear seat, on A1 General Module (Yellow)	
X256 . . . .	Connector (26 pins) . . . . .	Inside front of RH front door jamb, in wire grommet housing. . . . .	7100.0-30-1
X257 . . . .	Connector (26 pins) . . . . .	Inside front of LH front door jamb, in wire grommet housing. . . . .	7100.0-30-1
X258 . . . .	Connector (20 pins) . . . . .	Below LH side of rear seat, on A5 Relay Module (White)	
X259 . . . .	Connector (20 pins) . . . . .	Below LH side of rear seat, on A5 Relay Module (Black)	
X260 . . . .	Connector (21 pins) . . . . .	Below RH side of rear seat, near battery (Black). . . . .	7100.0-37-3
X262 . . . .	Connector (26 pins) . . . . .	Below LH side of rear seat. . . . .	7100.0-34-2
X269 . . . .	Connector (6 pins) . . . . .	Below LH side of rear seat. . . . .	7100.0-34-3
X271 . . . .	Connector (12 pins) . . . . .	Behind LH side of dash, on rear of A2 Instrument Cluster (Gray) . . . . .	7100.0-24-2
X272 . . . .	Connector (12 pins) . . . . .	Below LH side of rear seat, near P91 Rear Power Distribution Box . . . . .	7100.0-34-2
X273 . . . .	Connector (12 pins) . . . . .	Inside front of LH rear door jamb, in wire grommet housing. . . . .	7100.0-30-2
X274 . . . .	Connector (12 pins) . . . . .	Inside front of RH rear door jamb, in wire grommet housing. . . . .	7100.0-30-2
X275 . . . .	Connector (12 pins) . . . . .	Under driver's seat . . . . .	7100.0-32-1
X277 . . . .	Connector (10 pins) . . . . .	Inside front of LH rear door jamb, in wire grommet housing. . . . .	7100.0-30-2
X278 . . . .	Connector (10 pins) . . . . .	Inside front of RH rear door jamb, in wire grommet housing. . . . .	7100.0-30-2
X279 . . . .	Connector (12 pins) . . . . .	Under passenger's seat . . . . .	7100.0-33-2
X295 . . . .	Connector (8 pins) . . . . .	Behind LH side of dash, LH side of steering column. . . . .	7100.0-22-2
X297 . . . .	Connector (9 pins) . . . . .	Below LH side of rear seat	
X316 . . . .	Connector (6 pins) . . . . .	On S40 Front Console Window Switch Assembly (White) . . . . .	7100.0-28-2
X317 . . . .	Connector (6 pins) . . . . .	On S40 Front Console Window Switch Assembly (Black) . . . . .	7100.0-28-2



## COMPONENT LOCATION CHART

### COMPONENTS

		Page-Figure
X318 . . . .	Connector (4 pins) . . . . .	In trunk, behind E17 Right Rear Light Assembly. . . . . 7100.0-39-2
X319 . . . .	Connector (4 pins) . . . . .	In trunk, behind E16 Left Rear Light Assembly. . . . . 7100.0-39-1
X322 . . . .	Connector (6 pins) . . . . .	Below LH side of rear seat, near P91 Rear Power Distribution Box . . . . . 7100.0-34-2
X328 . . . .	Connector (4 pins) . . . . .	RH side of trunk lid, on E47 Right Trunk Light Assembly . 7100.0-40-2
X329 . . . .	Connector (4 pins) . . . . .	LH side of trunk lid, on E46 Left Trunk Light Assembly . . 7100.0-39-3
X331 . . . .	Connector (5 pins) . . . . .	Below LH side of rear seat, on K91 On-Board Computer Horn Relay (Green)
X332 . . . .	Connector (5 pins) . . . . .	Below LH side of rear seat, on A1 General Module (White)
X333 . . . .	Connector (4 pins) . . . . .	Behind LH fresh air cowl . . . . . 7100.0-00-1
X334 . . . .	Connector (4 pins) . . . . .	Behind LH fresh air cowl . . . . . 7100.0-00-1
X335 . . . .	Connector (4 pins) . . . . .	Below LH side of rear seat, on K91 On-Board Computer Horn Relay (Green)
X336 . . . .	Connector (4 pins) . . . . .	In center of windshield header. . . . . 7100.0-25-3
X337 . . . .	Connector (4 pins) . . . . .	Below LH side of rear seat. . . . . 7100.0-34-3
X342 . . . .	Connector (4 pins) . . . . .	Behind RH side of dash, above RH kick panel . . . . . 7100.0-29-3
X355 . . . .	Connector (3 pins) . . . . .	In RH "C" pillar . . . . . 7100.0-38-2
X356 . . . .	Connector (3 pins) . . . . .	In LH "C" pillar. . . . . 7100.0-38-1
X358 . . . .	Connector (3 pins) . . . . .	In RH rear of trunk lid . . . . . 7100.0-40-2
X360 . . . .	Connector (2 pins) . . . . .	In LH side of windshield header, above LH visor
X371 . . . .	Connector (2 pins) . . . . .	Behind LH fresh air cowl . . . . . 7100.0-00-1
X374 . . . .	Connector (2 pins) . . . . .	Below RH side of rear seat . . . . . 7100.0-37-2
X375 . . . .	Connector (2 pins) . . . . .	Below RH side of rear seat . . . . . 7100.0-37-1
X376 . . . .	Connector (2 pins) . . . . .	Below LH side of rear seat, behind P91 Rear Power Distribution Box . . . . . 7100.0-34-2
X377 . . . .	Connector (2 pins) . . . . .	Below RH side of rear seat, behind battery . . . . . 7100.0-37-1
X393 . . . .	Connector (6 pins) . . . . .	In LH rear corner of trunk . . . . . 7100.0-39-1
X400 . . . .	Connector (3 pins) . . . . .	LH rear corner of trunk . . . . . 7100.0-39-1
X416 . . . .	Connector (2 pins) . . . . .	LH side of windshield header, near LH visor
X417 . . . .	Connector (2 pins) . . . . .	RH side of windshield header, near RH visor



# COMPONENT LOCATION CHART

## COMPONENTS

		Page-Figure
X418	Connector (1 pin)	Below LH side of rear seat. . . . . 7100.0-35-1
X490	Ground	Behind LH side of dash, LH side of steering column. . . . . 7100.0-22-1
X491	Ground	Behind LH side of dash, LH side of steering column. . . . . 7100.0-22-1
X492	Ground	Below LH side of rear seat, near P91 Rear Power Distribution Box . . . . . 7100.0-35-2
X493	Ground	Below LH side of rear seat, near P91 Rear Power Distribution Box . . . . . 7100.0-35-2
X495	Ground	Below RH side of rear seat, RH side of battery. . . . . 7100.0-36-3
X496	Ground	Below RH side of rear seat, RH side of battery. . . . . 7100.0-36-3
X497	Ground (Battery)	Ahead of RH side of rear seat, under carpet. . . . . 7100.0-36-2
X501	Connector (26 pins)	Behind center of dash, on N4 On-Board Computer
X502	Connector (26 pins)	Behind LH side of dash, on rear of A2 Instrument Cluster (White) . . . . . 7100.0-24-2
X506	Connector (12 pins)	Below center console, front of gear shifter. . . . . 7100.0-28-1
X511	Connector (8 pins)	Below center console . . . . . 7100.0-28-1
X512	Connector (8 pins)	Behind RH side of dash, taped to harness
X514	Connector (6 pins)	Behind center of dash, in harness
X518	Connector (4 pins)	Behind LH side of dash, on H10 Chime Module (Black) . . 7100.0-21-3
X522	Connector (3 pins)	Behind LH side of dash, on H10 Chime Module (White) . . 7100.0-21-3
X526	Connector (8 pins)	Below LH side of dash, at kick panel . . . . . 7100.0-22-2
X539	Connector (2 pins)	Behind center of dash, LH side of N9 Radio
X546	Connector (2 pins)	Below center console, LH side of manual gear selector . . 7100.0-27-3
X605	Connector (12 pins)	LH side of trunk, on A18 HIFI Amplifier (Black)
X606	Connector (12 pins)	LH side of trunk, on A18 HIFI Amplifier (White)
X610	Connector (26 pins)	Behind center of dash, on A9000 Integrated Climate Regulation Control Unit (IHKR) (White) . . . . . 7100.0-25-2
X611	Connector (26 pins)	Behind center of dash, on A9000 Integrated Climate Regulation Control Unit (IHKR) (Green) . . . . . 7100.0-25-2
X612	Connector (26 pins)	Behind center of dash, on S9000 Integrated Climate Regulation Switch (IHKR) (Blue) . . . . . 7100.0-27-2



# COMPONENT LOCATION CHART

## COMPONENTS

Page-Figure

X613 . . . .	Connector (26 pins) . . . . .	Behind center of dash, on A9000 Integrated Climate Regulation Control Unit (IHKR) (Blue) . . . . .	7100.0-29-2
X614 . . . .	Connector (26 pins) . . . . .	Behind center of dash, on A9000 Integrated Climate Regulation Control Unit (IHKR) (Yellow) . . . . .	7100.0-29-2
X623 . . . .	Connector (4 pins) . . . . .	In top front of driver's door	
X624 . . . .	Connector (4 pins) . . . . .	In top front of passenger's door	
X627 . . . .	Connector (8 pins) . . . . .	In center of windshield header . . . . .	7100.0-25-3
X633 . . . .	Connector (8 pins) . . . . .	Behind center of dash, near N9 Radio . . . . .	7100.0-26-3
X638 . . . .	Connector (8 pins) . . . . .	Below trunk, RH side of spare tire . . . . .	7100.0-38-3
X652 . . . .	Connector (6 pins) . . . . .	Under driver's seat . . . . .	7100.0-32-1
X659 . . . .	Connector (6 pins) . . . . .	Under passenger's seat . . . . .	7100.0-33-3
X684 . . . .	Connector (3 pins) . . . . .	In passenger's door, near door handle . . . . .	7100.0-31-1
X685 . . . .	Connector (3 pins) . . . . .	In driver's door, near door handle . . . . .	7100.0-31-1
X692 . . . .	Connector (3 pins) . . . . .	Behind center of dash, behind LH side of N9 Radio . . . . .	7100.0-27-1
X693 . . . .	Connector (3 pins) . . . . .	Behind center of dash, on S9000 Integrated Climate Regulation Switch (IHKR) (Black) . . . . .	7100.0-27-2
X702 . . . .	Connector (2 pins) . . . . .	Behind center of dash, on N9 Radio (White) . . . . .	7100.0-26-3
X703 . . . .	Connector (2 pins) . . . . .	Behind center of dash, on N9 Radio (Black) . . . . .	7100.0-26-3
X705 . . . .	Connector (2 pins) . . . . .	Below car, near RH rear suspension frame attachment point . . . . .	7100.0-20-1
X713 . . . .	Connector (2 pins) . . . . .	At RH rear wheel, above brake caliper . . . . .	7100.0-17-3
X714 . . . .	Connector (2 pins) . . . . .	In lower rear of LH rear door . . . . .	7100.0-31-2
X715 . . . .	Connector (2 pins) . . . . .	In center rear of LH rear door . . . . .	7100.0-31-2
X720 . . . .	Connector (2 pins) . . . . .	In lower rear of RH rear door . . . . .	7100.0-31-2
X721 . . . .	Connector (2 pins) . . . . .	In center rear of RH rear door . . . . .	7100.0-31-2
X726 . . . .	Connector (2 pins) . . . . .	Under RH side of driver's seat . . . . .	7100.0-32-1
X727 . . . .	Connector (2 pins) . . . . .	Under LH side of driver's seat . . . . .	7100.0-32-2
X728 . . . .	Connector (2 pins) . . . . .	Under front of driver's seat . . . . .	7100.0-31-3
X729 . . . .	Connector (2 pins) . . . . .	Under front of driver's seat . . . . .	7100.0-31-3
X731 . . . .	Connector (2 pins) . . . . .	Inside RH side of driver's seatback . . . . .	7100.0-34-1





## COMPONENT LOCATION CHART

### COMPONENTS

			Page-Figure
X732	Connector (2 pins)	In driver's seatback, near driver's seatback heater.	7100.0-34-1
X733	Connector (2 pins)	Under RH side of driver's seat.	7100.0-32-1
X734	Connector (2 pins)	Under RH side of passenger's seat	7100.0-33-2
X735	Connector (2 pins)	Under LH side of passenger's seat	7100.0-33-3
X736	Connector (2 pins)	Under front of passenger's seat.	7100.0-33-1
X737	Connector (2 pins)	Under front of passenger's seat.	7100.0-33-1
X738	Connector (2 pins)	Inside RH side of passenger's seatback	7100.0-34-1
X740	Connector (2 pins)	Under RH side of passenger's seat	7100.0-33-1
X741	Connector (2 pins)	In passenger's seatback, near passenger's seatback heater.	7100.0-34-1
X742	Connector (2 pins)	In passenger's door, near door handle.	7100.0-31-1
X743	Connector (2 pins)	In center front of passenger's door	7100.0-30-3
X744	Connector (2 pins)	In lower front of passenger's door	7100.0-30-3
X747	Connector (2 pins)	In driver's door, near door handle	7100.0-31-1
X749	Connector (2 pins)	In lower front of driver's door.	7100.0-30-3
X750	Connector (2 pins)	In center front of passenger's door	7100.0-30-3
X751	Connector (2 pins)	In driver's door, near door handle	7100.0-31-1
X752	Connector (2 pins)	In driver's door, near door handle	7100.0-31-1
X770	Connector (2 pins)	Under LH side of front bumper	7100.0-16-2
X771	Connector (2 pins)	Behind LH side of dash, on lower LH side of IHKR plenum	7100.0-25-2
X778	Connector (2 pins)	Under driver's seat, near base of driver's seat belt buckle	7100.0-32-2
X783	Connector (2 pins)	Below steering column	7100.0-24-1
X784	Connector (2 pins)	Behind LH side of dash, at kick panel	7100.0-22-1
X789	Connector (2 pins)	Rear of car, near differential	7100.0-20-2
X800	Connector (2 pins)	Inside LH kick panel	7100.0-20-3
X803	Connector (2 pins)	Behind center of dash, on N9 Radio (Black)	7100.0-27-1
X804	Connector (2 pins)	Behind center of dash, on N9 Radio (White)	7100.0-27-1
X813	Connector (1 pin)	Behind center of dash, on N9 Radio (Black)	7100.0-27-1
X815	Connector (1 pin)	Behind center of dash, near N9 Radio	7100.0-27-1



# COMPONENT LOCATION CHART

## COMPONENTS

		Page-Figure
X818 . . . .	Ground . . . . .	Below LH side of dash, LH side of steering column . . . . . 7100.0-22-1
X910 . . . .	B+ Junction Post . . . . .	LH rear of engine compartment . . . . . 7100.0-01-3
X948 . . . .	Connector (1 pin) . . . . .	In LH "C" pillar . . . . . 7100.0-38-1
X949 . . . .	Connector (1 pin) . . . . .	In LH "C" pillar . . . . . 7100.0-38-1
X951 . . . .	Connector (1 pin) . . . . .	In RH "C" pillar . . . . . 7100.0-38-2
X952 . . . .	Connector (1 pin) . . . . .	In RH "C" pillar . . . . . 7100.0-38-2
X953 . . . .	Connector (1 pin) . . . . .	In LH "C" pillar . . . . . 7100.0-38-1
X955 . . . .	Ground (Battery) . . . . .	Lower RH front of engine compartment . . . . . 7100.0-18-3
X960 . . . .	B+ Junction Post . . . . .	Behind LH side of dash, near accelerator pedal . . . . . 7100.0-25-1
X962 . . . .	B+ Junction Post . . . . .	RH side of engine compartment, inside cover . . . . . 7100.0-09-3
X963 . . . .	B+ Junction Post . . . . .	Below RH side of rear seat, inside cover . . . . . 7100.0-36-1
X964 . . . .	B+ Junction Post . . . . .	Lower LH rear of engine compartment, on M1 Starter . . . . . 7100.0-03-1
X1521 . . . .	Conector (3 pins) (M20 Engine) . . . . .	LH side of engine . . . . . 7100.0-06-1
X1521 . . . .	Connector (3 pins) (M30 Engine) . . . . .	Top front of engine . . . . . 7100.0-10-2
X1522 . . . .	Connector (3 pins) (M20 Engine) . . . . .	LH front of engine . . . . . 7100.0-06-1
X1522 . . . .	Connector (3 pins) (M30 Engine) . . . . .	Top front of engine . . . . . 7100.0-10-2
X1523 . . . .	Connector (4 pins) (M20 Engine) . . . . .	RH rear of engine, LH side of P93 E-Box . . . . . 7100.0-15-1
X1523 . . . .	Connector (4 pins) (M30 Engine) . . . . .	Lower LH rear side of engine . . . . . 7100.0-04-3
X1525 . . . .	Connector (3 pins) (M20 Engine) . . . . .	LH front of engine . . . . . 7100.0-07-1
X1525 . . . .	Connector (3 pins) (M30 Engine) . . . . .	Lower LH front of engine . . . . . 7100.0-05-1
X1532 . . . .	Diagnostic Connector D100 (20 pins) . . . . .	LH rear of engine compartment, RH side of shock tower . . . . . 7100.0-01-3
X1533 . . . .	Connector (3 pins) . . . . .	Lower LH rear side of engine . . . . . 7100.0-04-3
X1537 . . . .	Connector (8 pins) . . . . .	In P93 E-Box, behind RH front shock tower . . . . . 7100.0-14-1
X1540 . . . .	B+ Junction Post for E-Box . . . . .	In P93 E-Box, behind RH front shock tower . . . . . 7100.0-13-2
X1541 . . . .	Ground . . . . .	RH rear of engine compartment, near shock tower . . . . . 7100.0-14-3
X1542 . . . .	Ground . . . . .	RH rear of engine compartment, near shock tower . . . . . 7100.0-14-3
X1563 . . . .	Connector (7 pins) . . . . .	LH side of engine, in front of M1 Starter . . . . . 7100.0-03-1
X2001 . . . .	Connector (12 pins) . . . . .	Behind glove box, in RH corner . . . . . 7100.0-29-3
X2005 . . . .	Connector (8 pins) . . . . .	On LH side of transmission . . . . . 7100.0-19-2
X2008 . . . .	Ground . . . . .	Below RH side of rear seat, RH side of battery . . . . . 7100.0-37-2

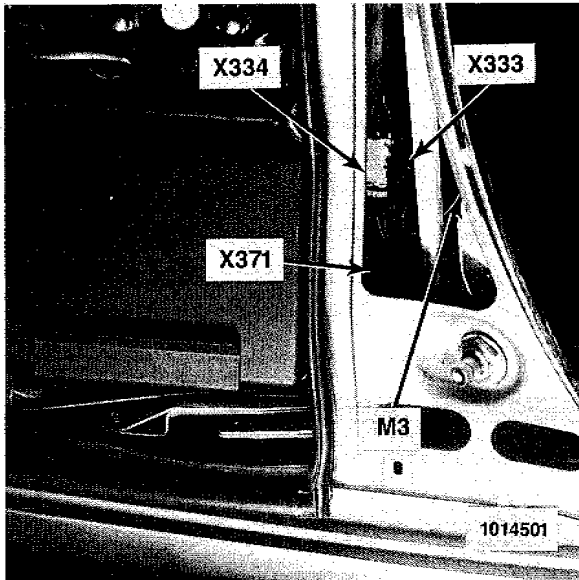


# COMPONENT LOCATION CHART

## COMPONENTS

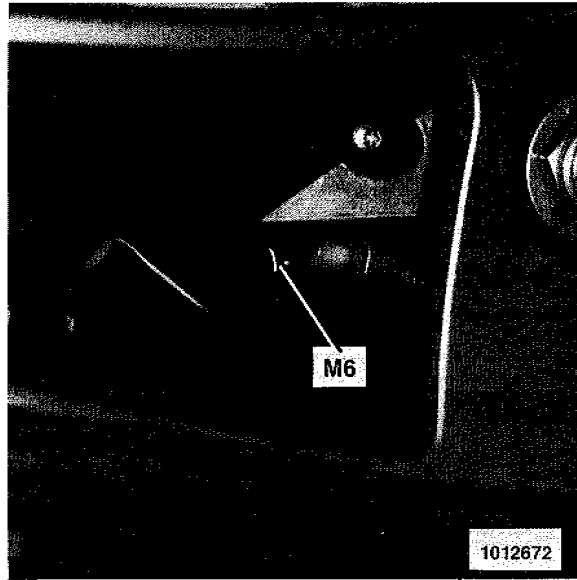
Page-Figure

X9000 . . . Connector (2 pins) . . . . .	Behind center of dash, on N9 Radio (Black) . . . . .	7100.0-26-3
X9997 . . . Connector (2 pins) . . . . .	Inside steering wheel, on G5 Driver's Air Bag Generator . . . . .	7100.0-23-2



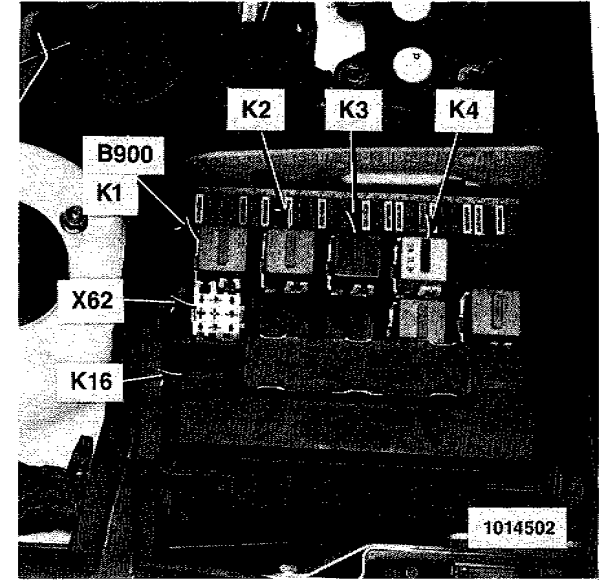
**Figure 1- Behind LH Fresh Air Cowl**

- M3 Wiper Motor**
- X333 Connector (4 pins) SW**
- X334 Connector (4 pins) WS**
- X371 Connector (2 pins) SW**



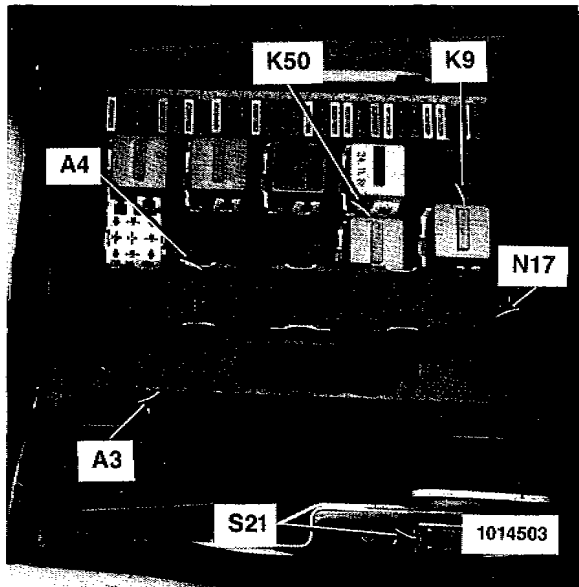
**Figure 2- Behind LH Fresh Air Cowl**

- M6 Wiper Pressure Control Motor (ADV)**



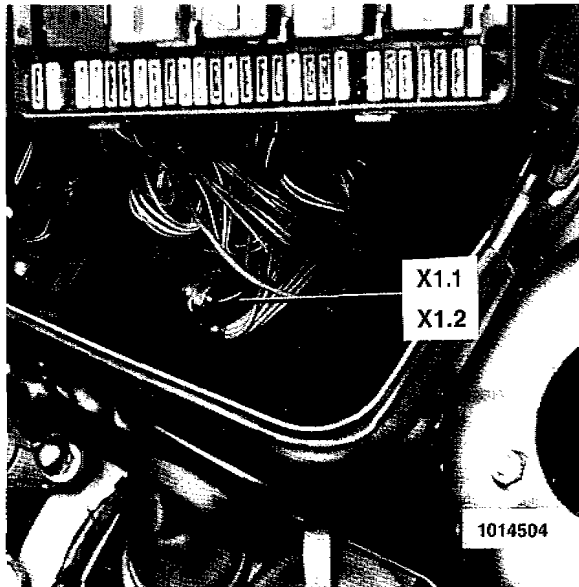
**Figure 3- LH Rear Corner Of Engine Compartment**

- B900 Jumper Plug**
- K1 Starter Relay**
- K2 Horn Relay**
- K3 Unloader Relay, KLR**
- K4 Blower Relay**
- K16 Hazard Flasher Relay**
- X62 Connector (9 pins) WS**



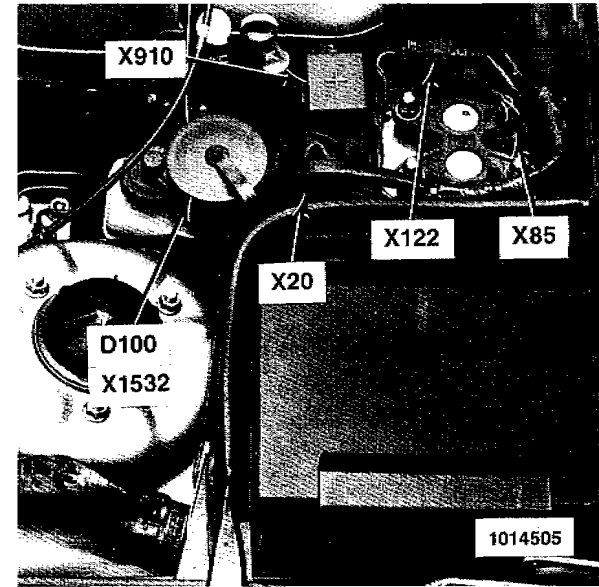
**Figure 1- LH Rear Corner Of Engine Compartment**

- A3** Lamp Control Module
- A4** Check Control Module
- K9** Unloader Relay, KL15
- K50** Water Pump Relay
- N17** Crash Control Unit
- S21** Engine Hood Switch



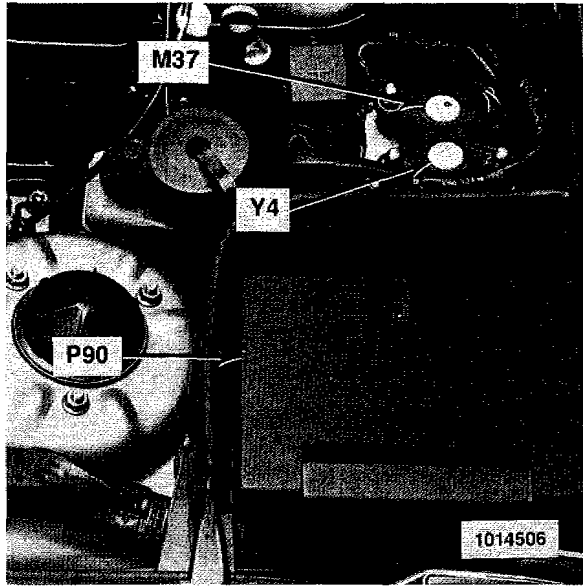
**Figure 2- LH Rear Corner Of Engine Compartment**

- X1.1** Junction Post For Front Power Distribution Box
- X1.2** Junction Post For Front Power Distribution Box



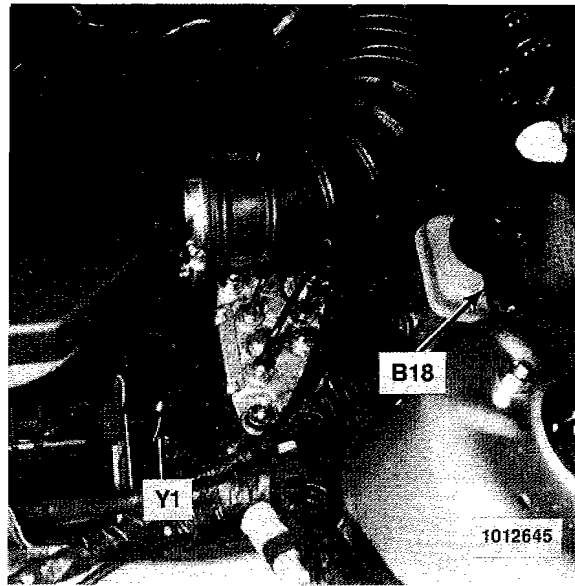
**Figure 3- LH Rear Of Engine Compartment (M30 Engine Shown; M20 Engine Similar)**

- D100** Diagnostic Connector
- X20** Connector (20 pins) SW
- X85** Conector (3 pins) SW
- X122** Connector (2 pins) SW
- X1532** Diagnostic Connector (20 pins) SW
- X910** B+ Junction Post



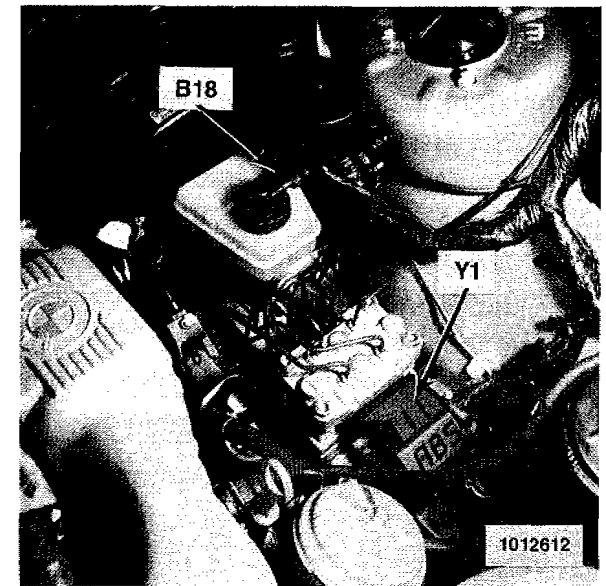
**Figure 1- LH Rear Of Engine Compartment (M30 Engine Shown; M20 Engine Similar)**

- M37 Water Pump**
- P90 Front Power Distribution Box**
- Y4 Water Valve Assembly**



**Figure 2- LH Side Of Engine Compartment (M20 Engine)**

- M18 Brake Fluid Level Switch**
- Y1 ABS Hydraulic Unit**



**Figure 3- LH Side Of Engine Compartment (M30 Engine)**

- B18 Brake Fluid Level Switch**
- Y1 ABS Hydraulic Unit**

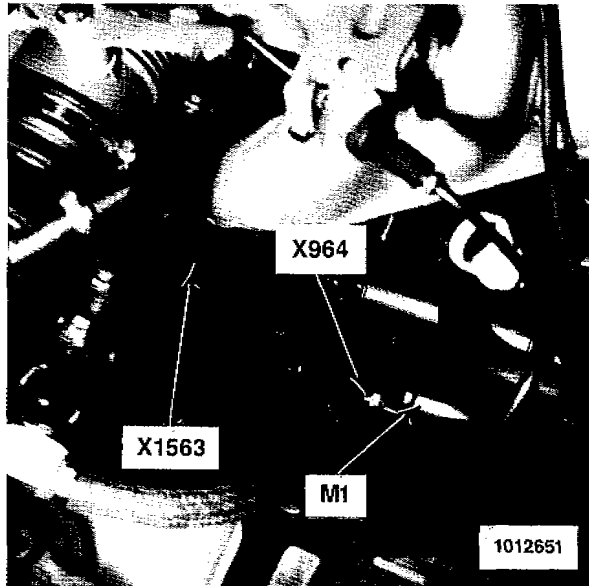


Figure 1- LH Side Of Engine Compartment (M20 Engine)

- M1 Starter
- X964 B+ Junction Post
- X1563 Connector (7 pins) SW

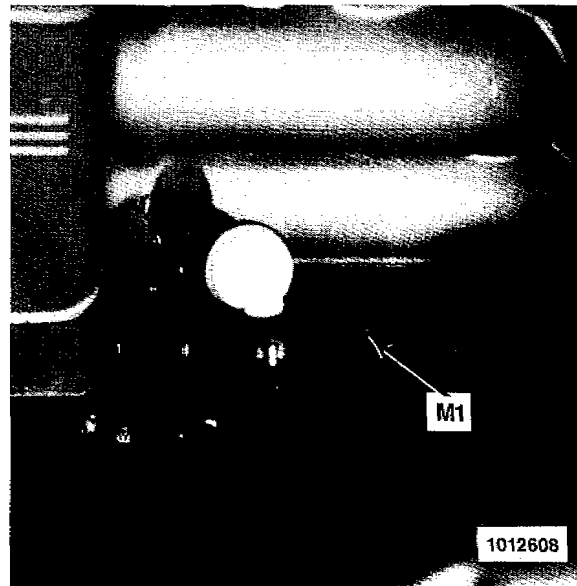


Figure 2- LH Rear Of Engine (M30 Engine)

- M1 Starter

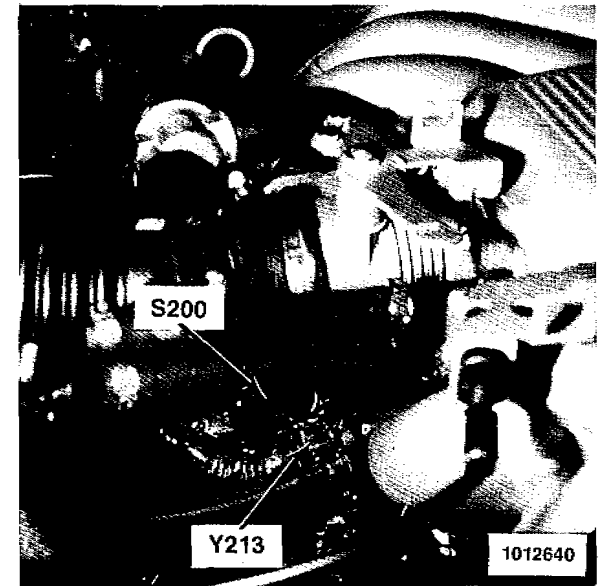
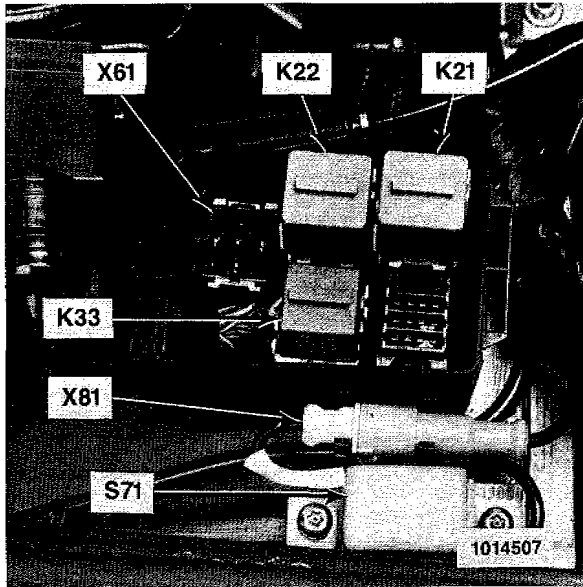


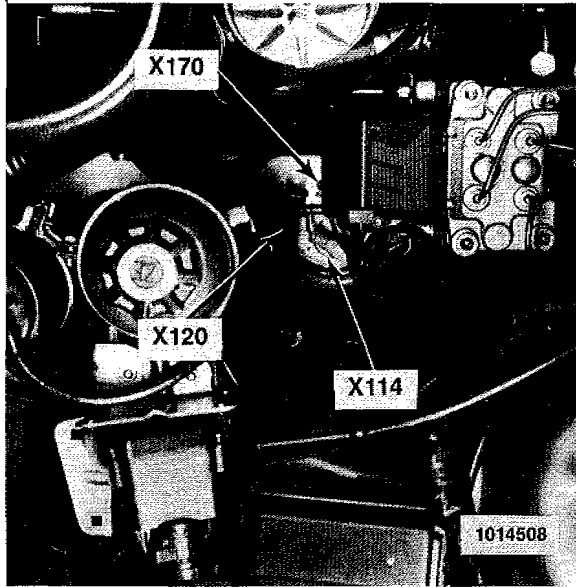
Figure 3- LH Rear Of Engine (M20 Engine)

- S200 Throttle Switch
- Y213 Fuel Air Valve



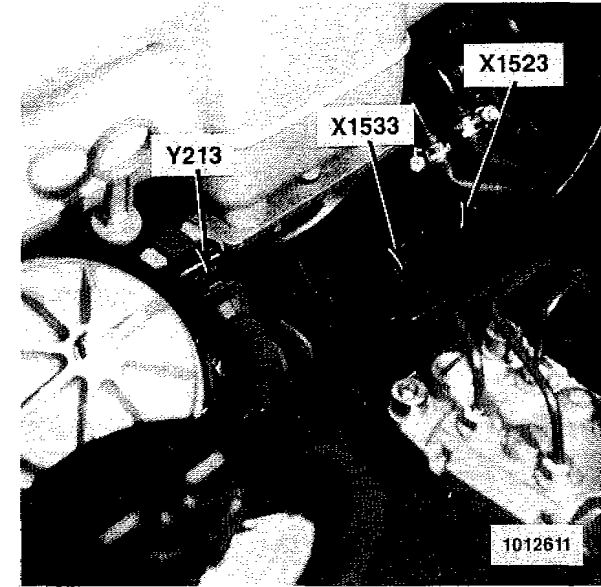
**Figure 1- Top LH Side Of Engine Compartment (M30 Engine Shown; M20 Engine Similar)**

- K21 Normal Speed Relay**
- K22 High Speed Relay**
- K33 Air Conditioning Relay**
- S71 Left Front Crash Sensor**
- X61 Connector (9 pins) SW**
- X81 Connector (3 pins) OR**



**Figure 2- Lower LH Side Of Engine Compartment (M30 Engine Shown; M20 Engine Similar)**

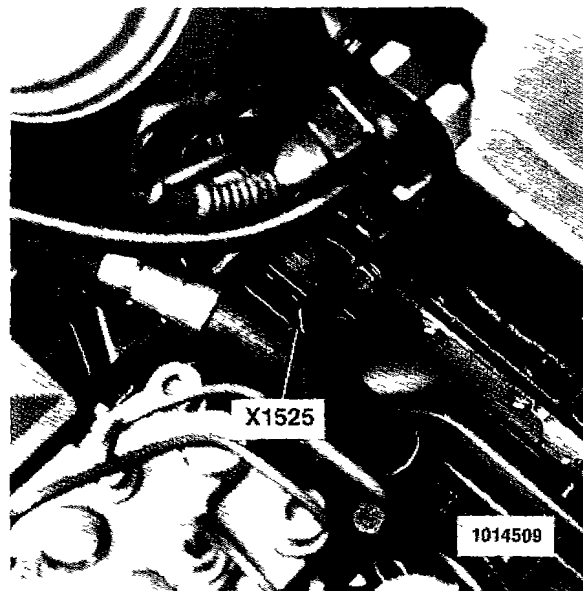
- X114 Connector (2 pins) WS**
- X120 Connector (2 pins) SW**
- X170 Terminal Post**



**Figure 3- Lower LH Side of Engine (M30 Engine)**

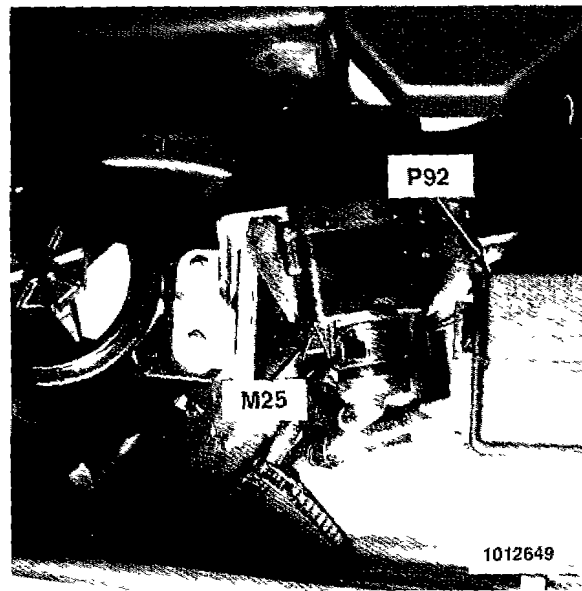
- Y213 Fuel Air Valve**
- X1523 Connector (4 pins) SW**
- X1533 Connector (3 pins) SW**





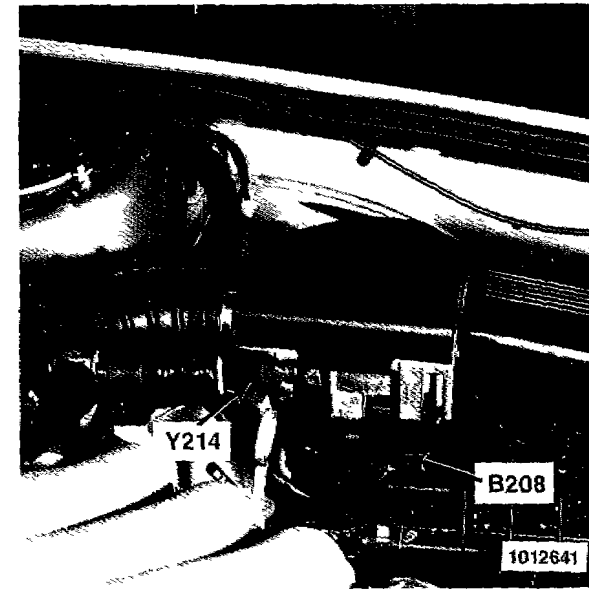
**Figure 1- Lower LH Side Of Engine (M30 Engine)**

**X1525 Connector (3 pins) SW**



**Figure 2- LH Side Of Engine Compartment (M20 Engine shown; M30 Engine Similar)**

**M25 Cruise Control Actuator (Tempomat)**  
**P92 Auxiliary Relay Box**



**Figure 3- Top LH Side Of Engine Compartment (M20 Engine)**

**B208 Air Flow Meter**  
**Y214 Idle Speed Actuator**

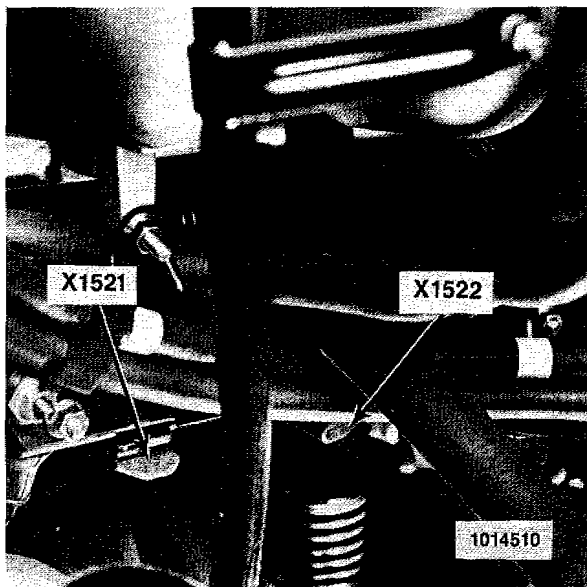


Figure 1- Lower LH Side Of Engine (M20 Engine) (Air Cleaner Assembly Removed)

- X1521 Connector (3 pins) SW
- X1522 Connector (3 pins) SW

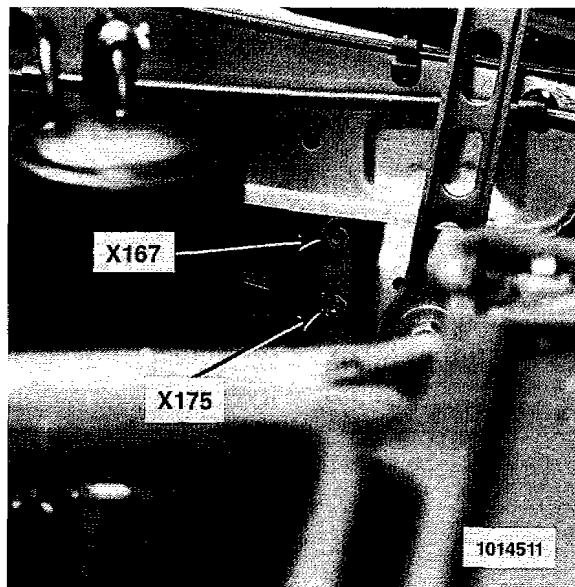


Figure 2- LH Front Of Engine Compartment (M30 Engine Shown; M20 Engine Similar)

- X167 Ground
- X175 Ground

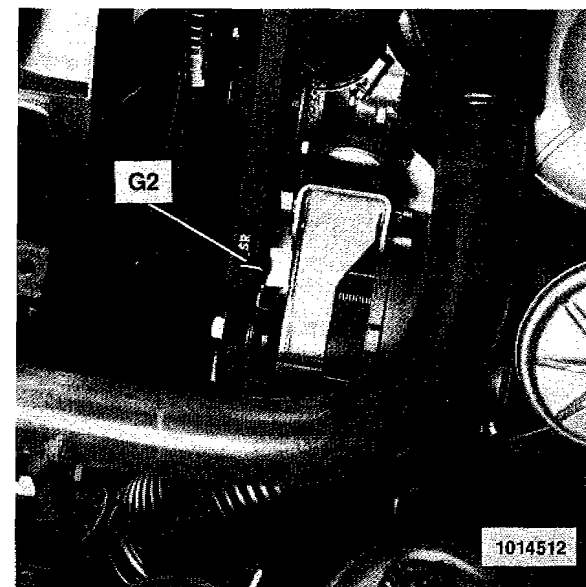


Figure 3- Lower LH Front Of Engine Compartment (M30 Engine Shown; M20 Engine Similar)

- G2 Alternator



## COMPONENT LOCATION VIEWS

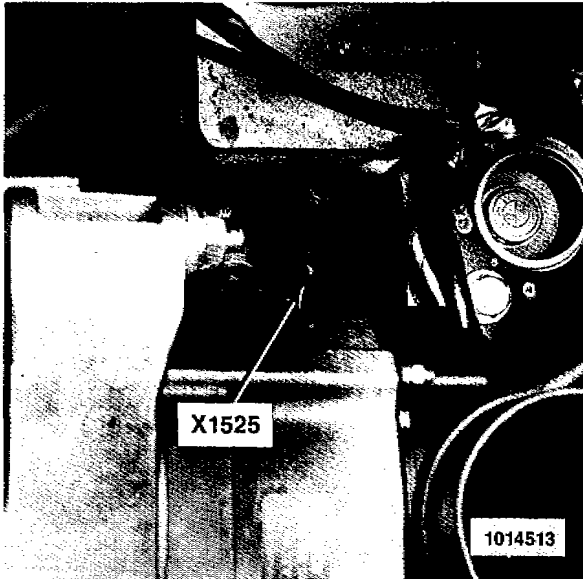


Figure 1- Lower LH Front Of Engine (M20 Engine) (Air Flow Assembly Removed)

X1525 Connector (3 pins) SW



Figure 2- LH Front Of Engine Hood

S19 Underhood Light Switch

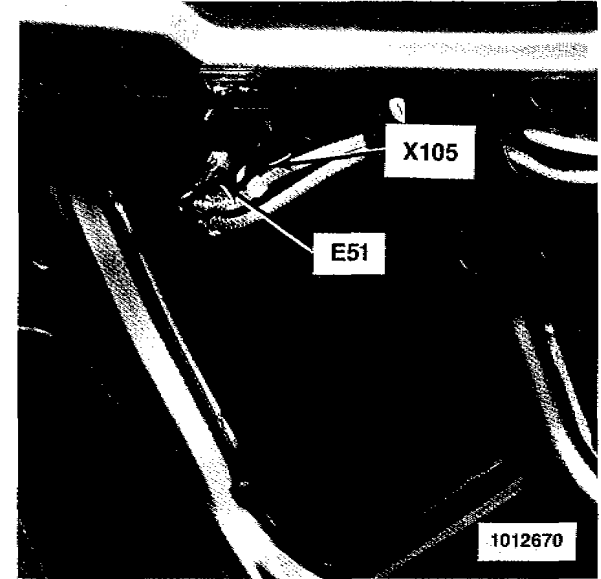
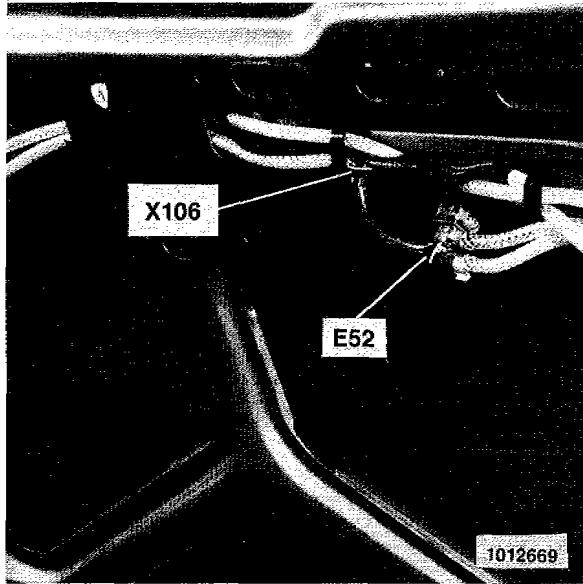


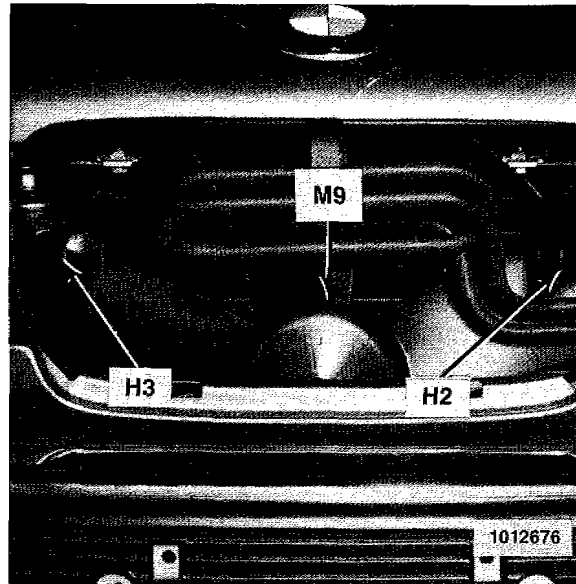
Figure 3- Rear Of Engine Compartment Hood

E51 Left Washer Jet Heater  
X105 Connector (2 pins) SW



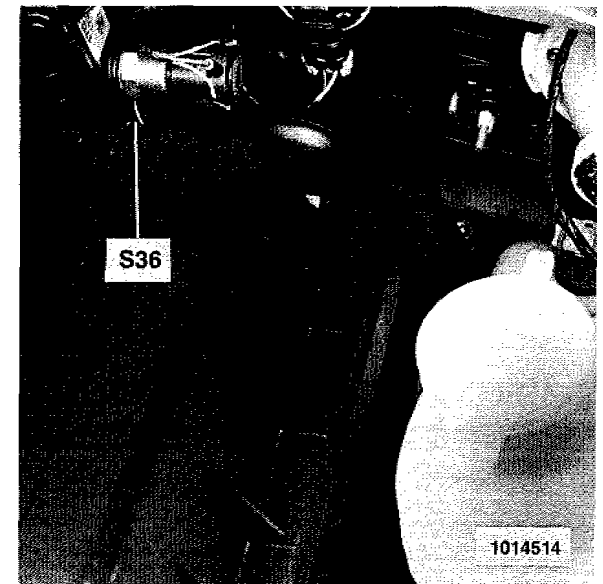
**Figure 1- Rear Of Engine Compartment Hood**

**E52 Right Washer Jet Heater**  
**X106 Connector (2 pins) SW**



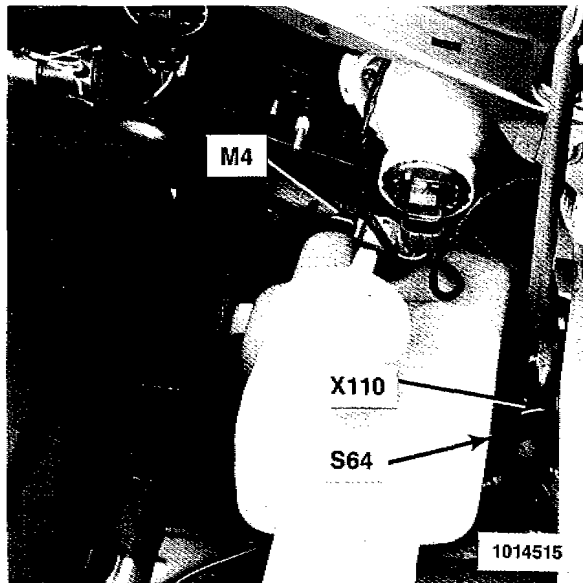
**Figure 2- Front Of Car (Grille Removed)**

**H2 Left Horn**  
**H3 Right Horn**  
**M9 Auxiliary Fan Motor**



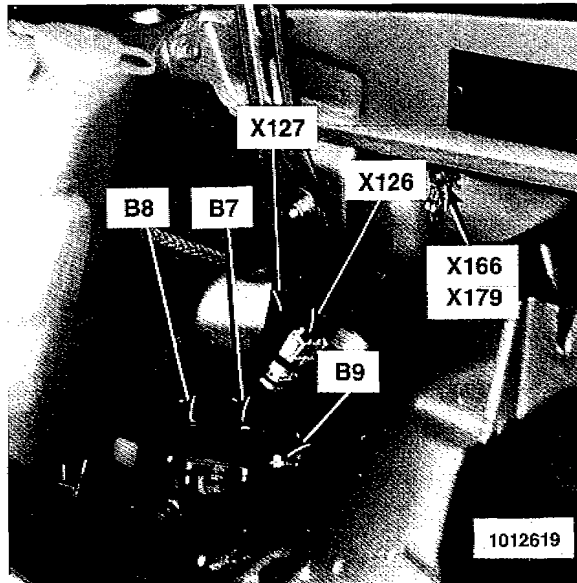
**Figure 3- RH Front Of Engine Compartment (M30 Engine Shown; M20 Engine Similar)**

**S36 Temperature Switch**



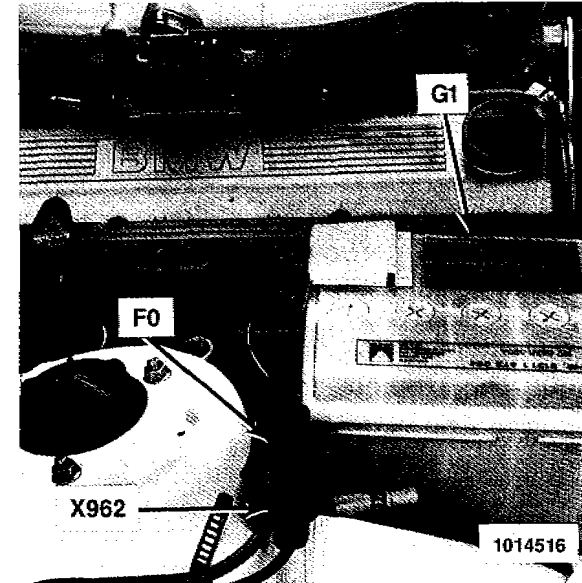
**Figure 1- RH Front Of Engine Compartment (M30 Engine Shown; M20 Engine Similar)**

- M4** Washer Pump
- S64** Washer Fluid Level Switch
- X110** Connector (2 pins) BL



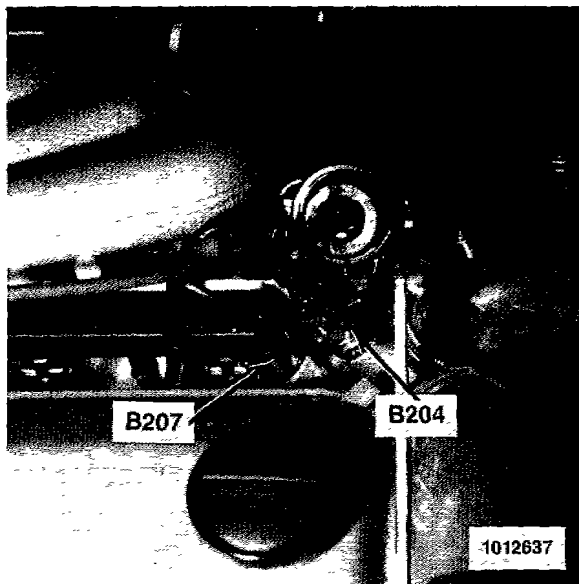
**Figure 2- RH Front Of Engine Compartment (Washer Fluid Reservoir Removed)**

- B7** Low Pressure Switch
- B8** High Pressure Switch
- B9** Intermediate Pressure Switch
- X126** Connector (2 pins) WS
- X127** Conector (2 pins) SW
- X166** Ground
- X179** Ground



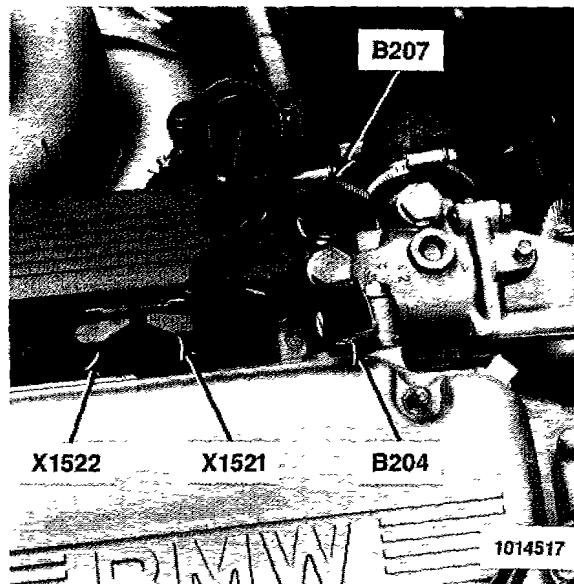
**Figure 3- RH Front Of Engine Compartment (M20 Engine)**

- F0** Fusible Link 80A
- G1** Battery
- X962** B+ Junction Post



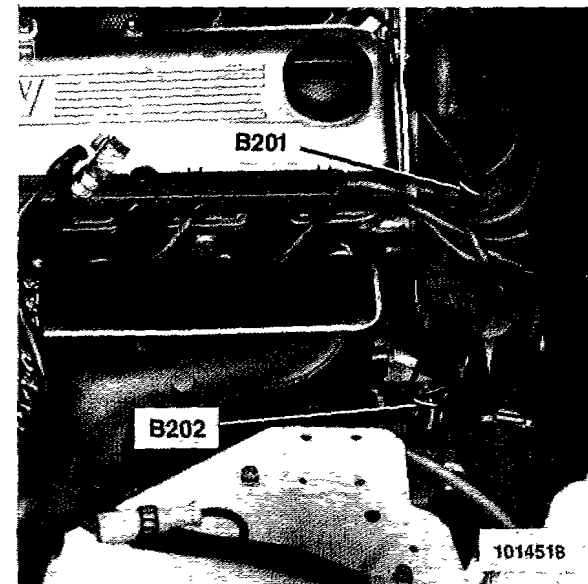
**Figure 1- Top Front Of Engine (M20 Engine)**

- B204 Coolant Temperature Sensor**
- B207 Coolant Temperature Sender**



**Figure 2- Top Front Of Engine (M30 Engine)**

- B204 Coolant Temperature Sensor**
- B207 Coolant Temperature Sender**
- X1521 Connector (3 pins) SW**
- X1522 Connector (3 pins) SW**



**Figure 3- RH Front Of Engine (M20 Engine Shown; M30 Engine Similar)**

- B201 Cylinder Identification Sensor**
- B202 Engine Speed/Reference Point Sensor**



Figure 1- RH Front Of Engine (M20 Engine Shown; M30 Engine Similar)

X163 Connector (3 pins) SW

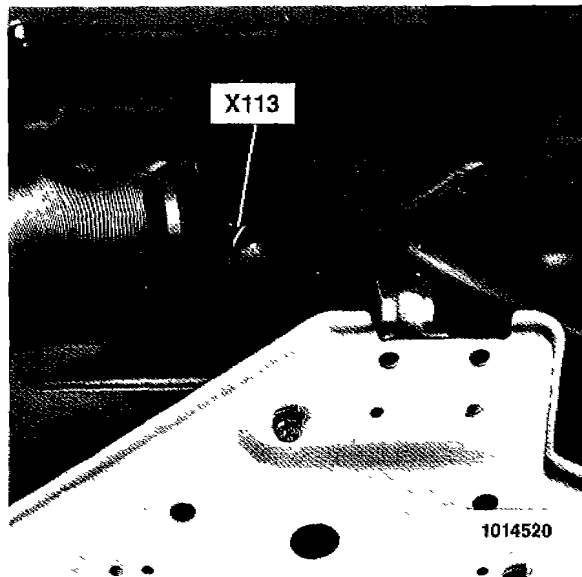


Figure 2- Lower RH Side Of Engine Compartment (M20 Engine Shown, M30 Engine Similar)

X113 Connector (2 pins) WS

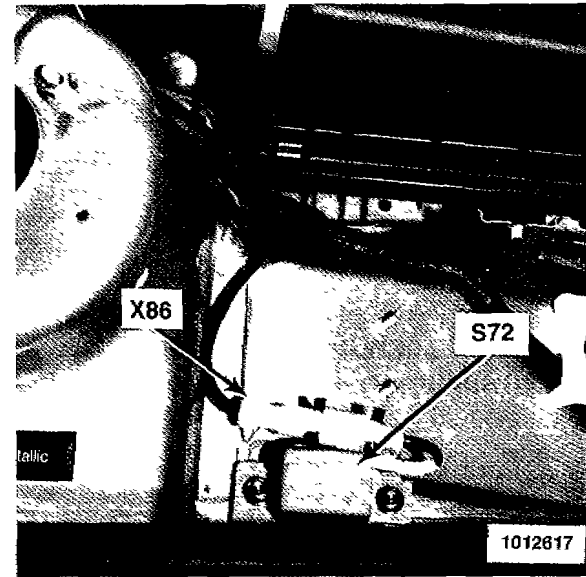
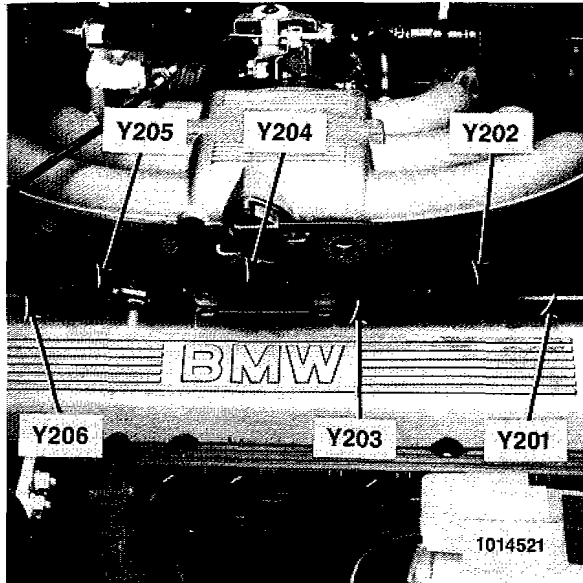


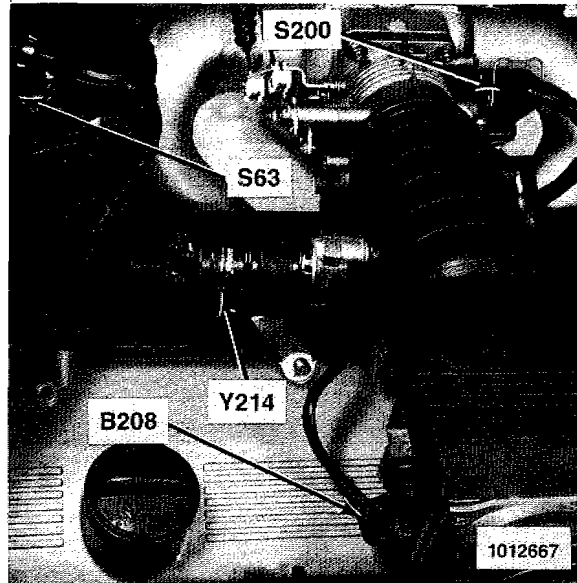
Figure 3- RH Side Of Engine Compartment (M30 Engine Shown, M20 Engine Similar)

S72 Right Front Crash Sensor  
X86 Connector (3 pins) OR



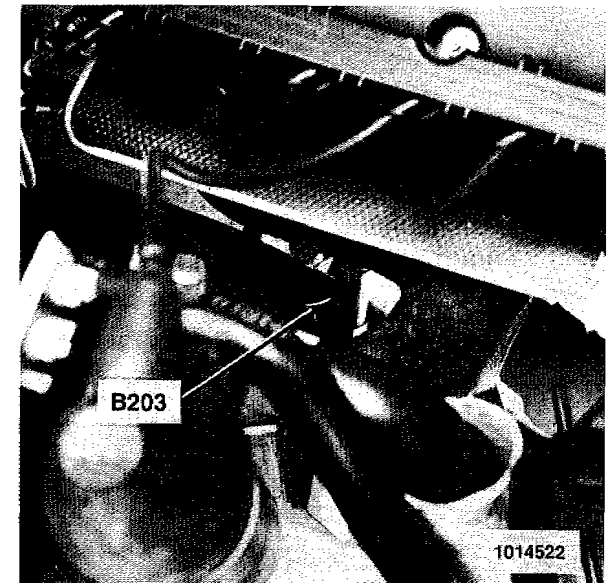
**Figure 1- Top Of Engine (M20 Engine Shown; M30 Engine Similar)**

- Y201 Fuel Injector 1
- Y202 Fuel Injector 2
- Y203 Fuel Injector 3
- Y204 Fuel Injector 4
- Y205 Fuel Injector 5
- Y206 Fuel Injector 6



**Figure 2- Top Rear Of Engine (M30 Engine)**

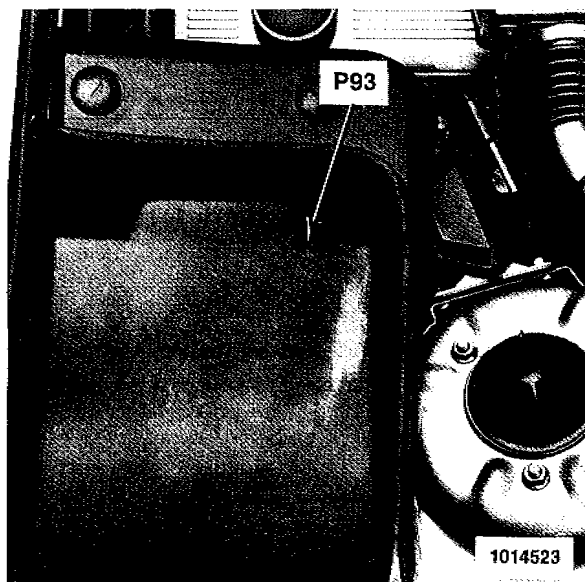
- B208 Air Flow Meter
- S63 Coolant Level Switch
- S200 Throttle Switch
- Y214 Idle Speed Actuator



**Figure 3- Lower RH Rear Of Engine (M20 Engine Shown; M30 Engine Similar)**

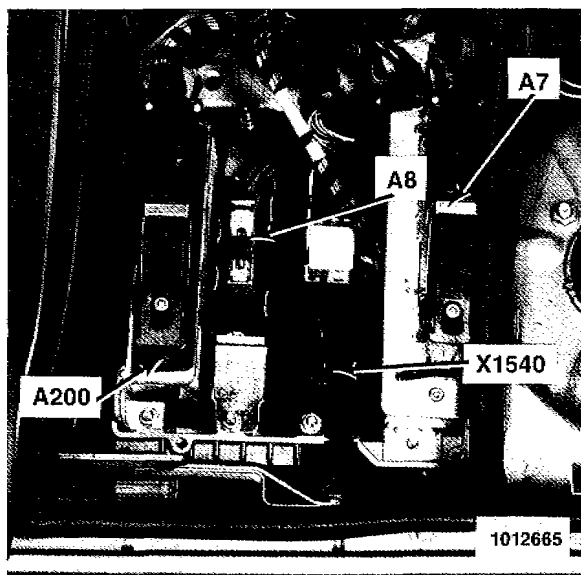
- B203 Oxygen Sensor





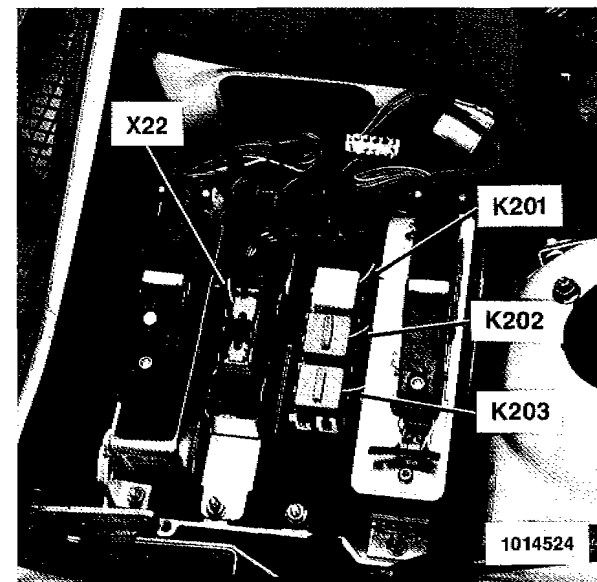
**Figure 1- RH Rear Of Engine Compartment**

**P93 E-Box**



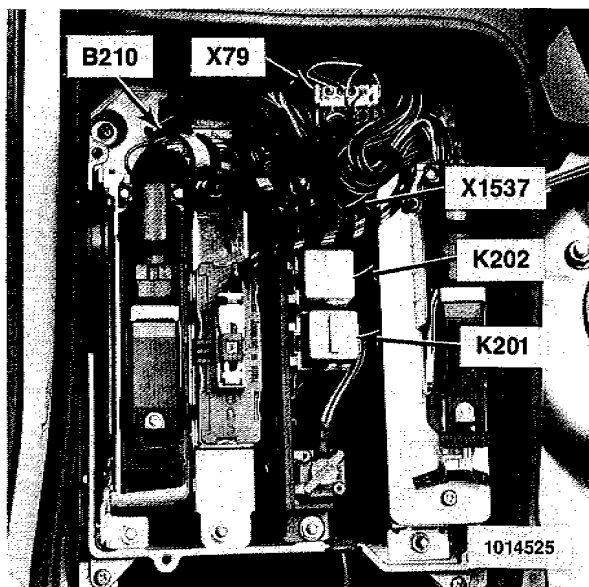
**Figure 2- RH Rear Of Engine Compartment**

- A7 ABS Electronic Control Unit**
- A8 Cruise Control Module (Tempomat)**
- A200 Motronic Control Unit (DME)**
- X1540 B+ Junction Post for E-Box**



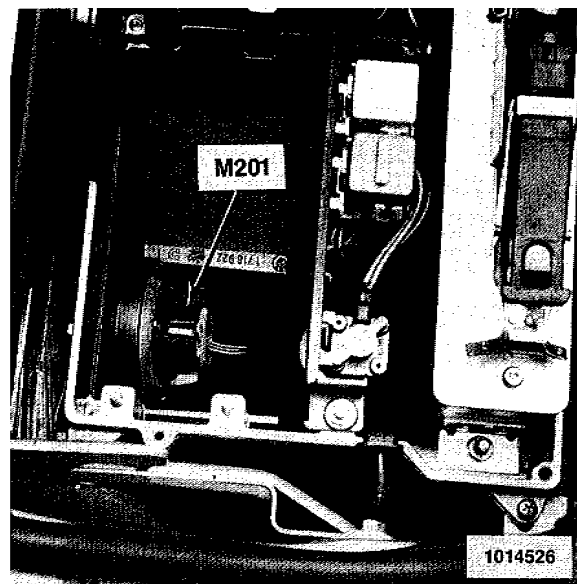
**Figure 3- RH Rear Of Engine Compartment (M30 Engine)**

- K201 Fuel Pump Relay**
- K202 Main Relay**
- K203 Oxygen Sensor Relay**
- X22 Connector (26 pins) BL**



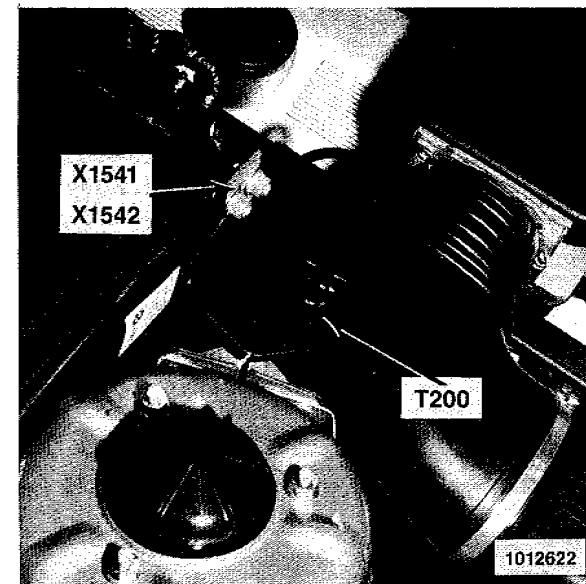
**Figure 1- RH Rear Of Engine Compartment (M20 Engine)**

- B210** Temperature Switch
- K201** Fuel Pump Relay
- K202** Main Relay
- X79** Connector (4 pins) WS
- X1537** Connector (8 pins) SW



**Figure 2- RH Rear Of Engine Compartment (M30 Engine Shown; M20 Engine Similar) Modules Removed**

- M201** E-Box Fan



**Figure 3- RH Rear Of Engine Compartment (M30 Engine Shown; M20 Engine Similar)**

- T200** Ignition Coil
- X1541** Ground
- X1542** Ground

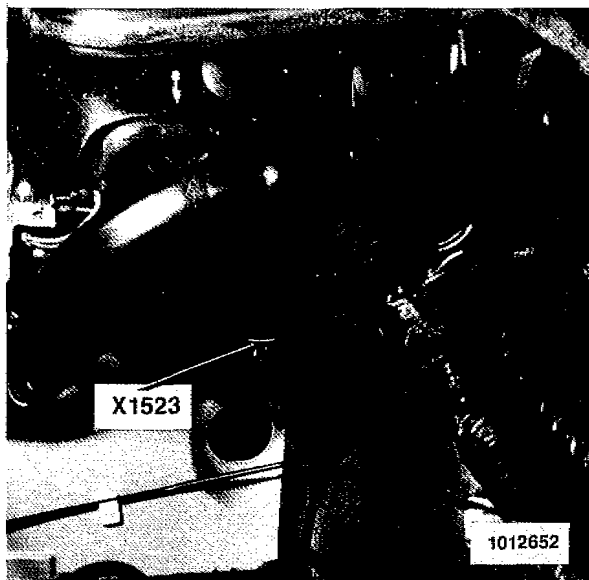


Figure 1- RH Rear Of Engine  
Compartment (M20 Engine)

X1523 Connector (4 pins) SW

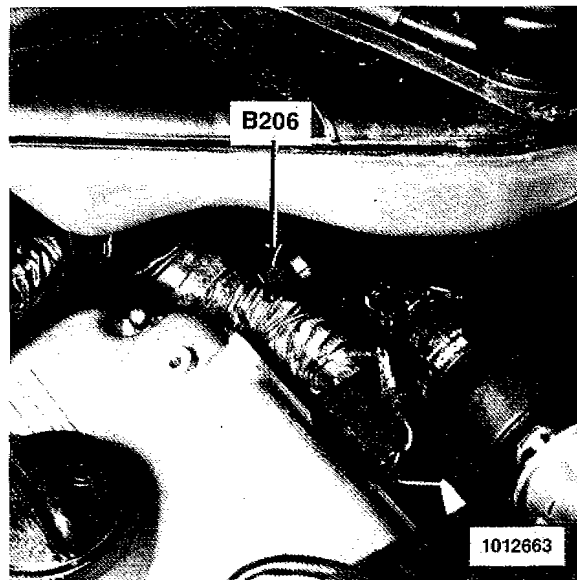


Figure 2- Rear Of Engine (M30 Engine)

B206 Oil Pressure Switch

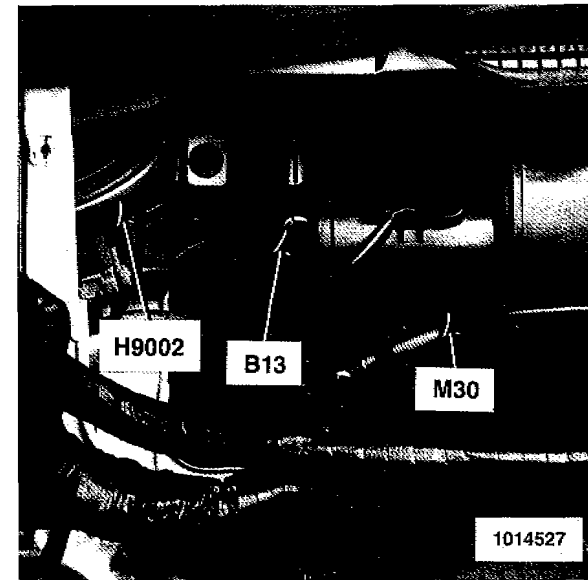
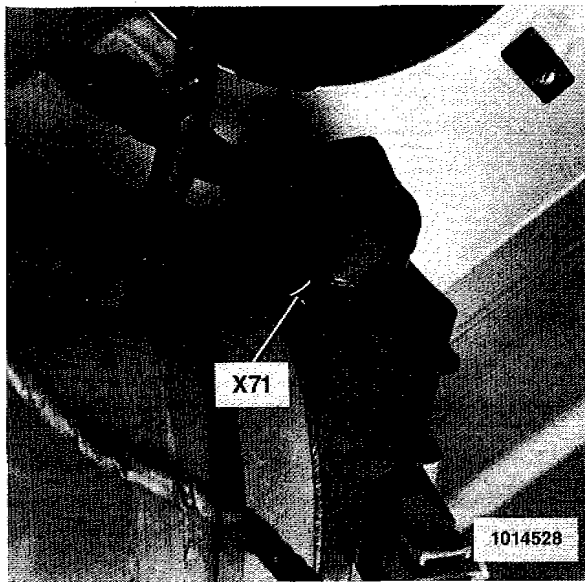


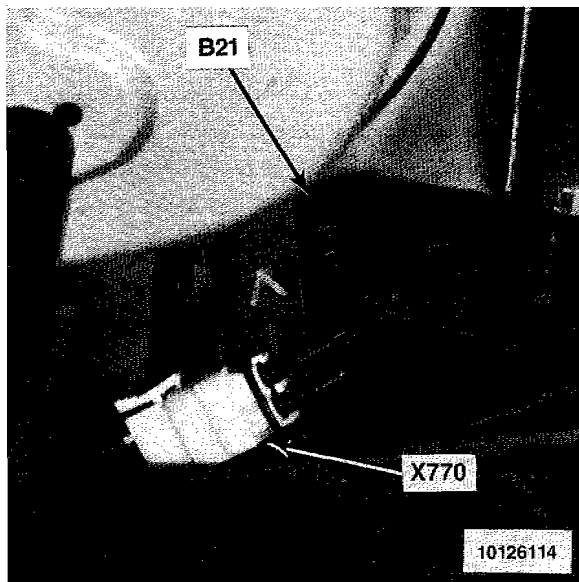
Figure 3- Behind Center Of Cowl Panel

B13 Outside Temperature Sensor  
H9002 On Board Computer Antitheft  
Horn  
M30 Blower Motor



**Figure 1- Under LH Side Of Front Bumper**

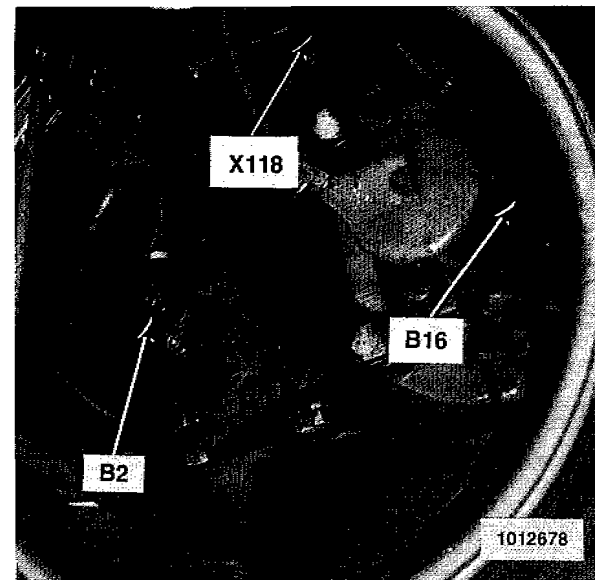
**X71 Connector (8 pins) SW**



**Figure 2- Under LH Side Of Front Bumper**

**B21 On-Board Computer Temperature Sensor**

**X770 Connector (2 pins) WS**



**Figure 3- Behind LH Front Wheel**

**B2 Left Front Speed Sensor**

**B16 Left Front Brake Pad Sensor**

**X118 Connector (2 pins) SW**

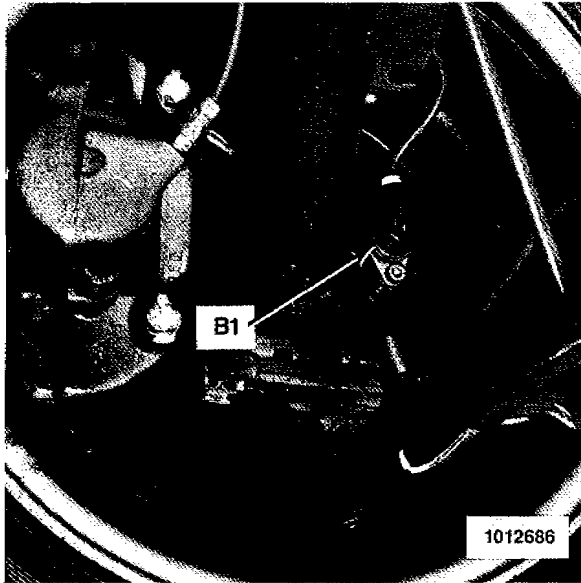


Figure 1- Behind RH Front Wheel  
B1 Right Front Speed Sensor

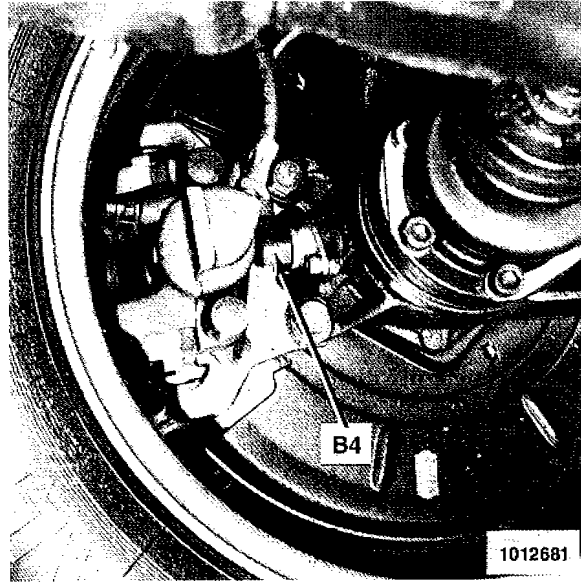


Figure 2- Behind LH Rear Wheel  
B4 Left Rear Speed Sensor

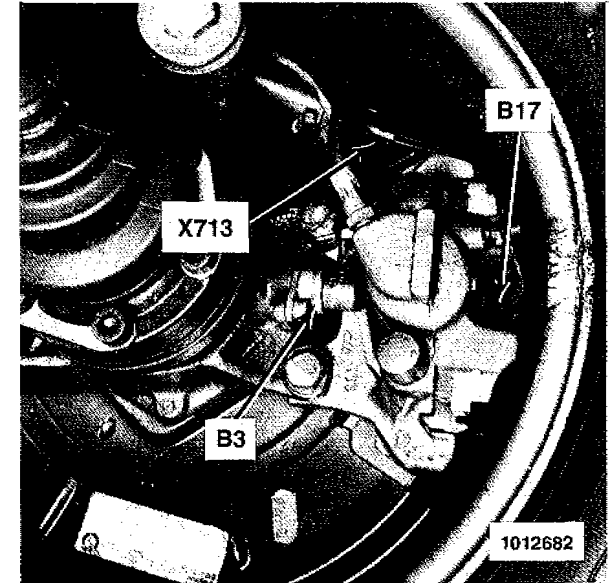


Figure 3- Behind RH Rear Wheel  
B3 Right Rear Speed Sensor  
B17 Right Rear Brake Pad Sensor  
X713 Connector (2 pins) SW

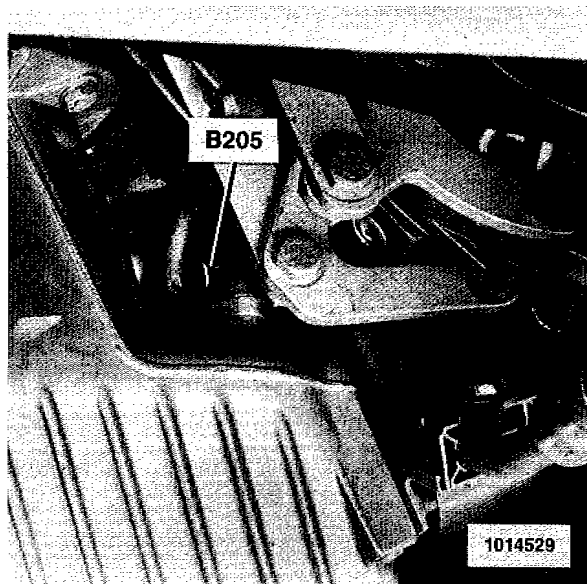


Figure 1- Lower LH Front Of Engine (M20 Engine)

B205 Oil Level Sensor

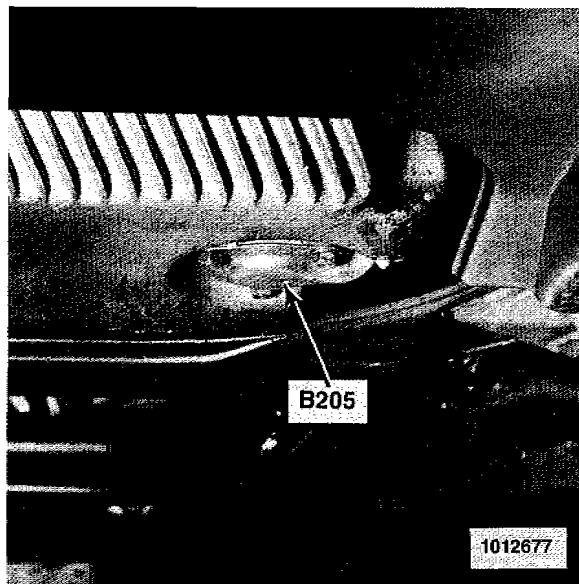


Figure 2- Lower Front Of Engine (M30 Engine)

B205 Oil Level Sensor

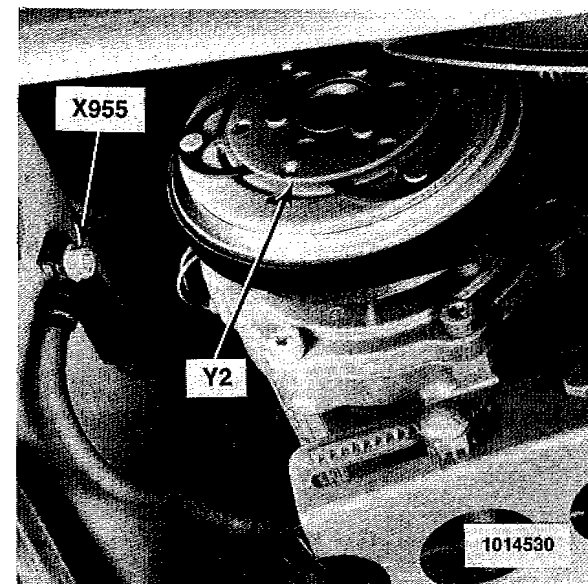


Figure 3- Lower RH Front Of Engine (M20 Engine Shown; M30 Engine Similar)

Y2 Compressor Clutch  
X955 Ground

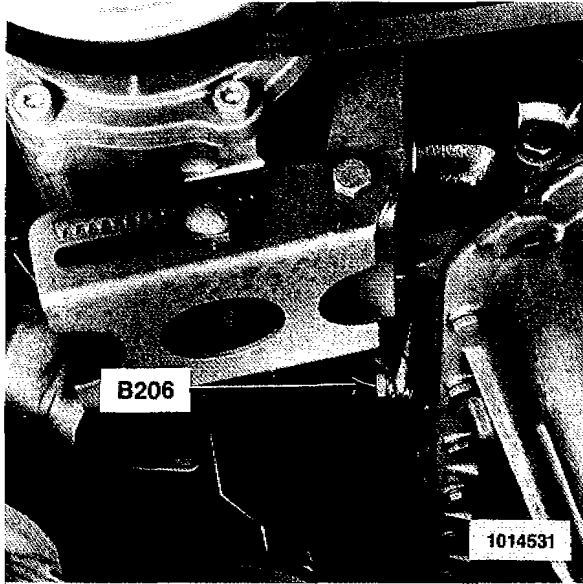


Figure 1- Lower RH Side Of Engine (M20 Engine)

B206 Oil Pressure Switch

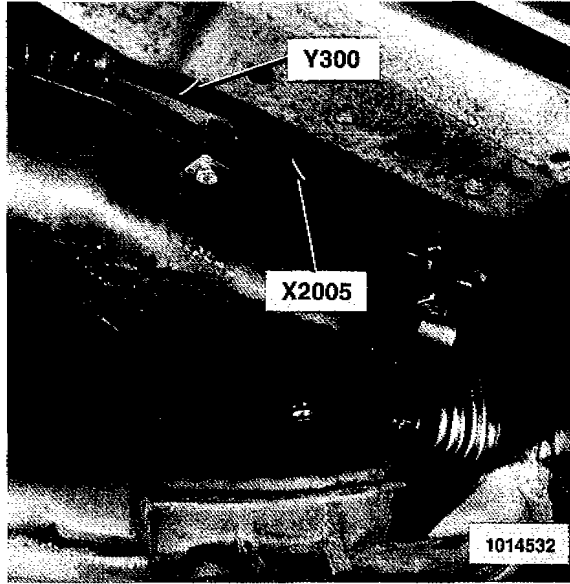


Figure 2- LH Side Of Transmission

Y300 Transmission  
X2005 Connector (8 pins) SW

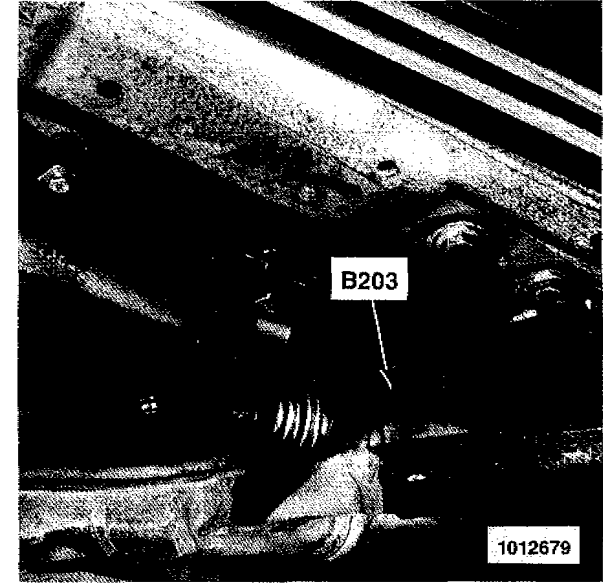


Figure 3- LH Side Of Transmission (M30 Engine)

B203 Oxygen Sensor

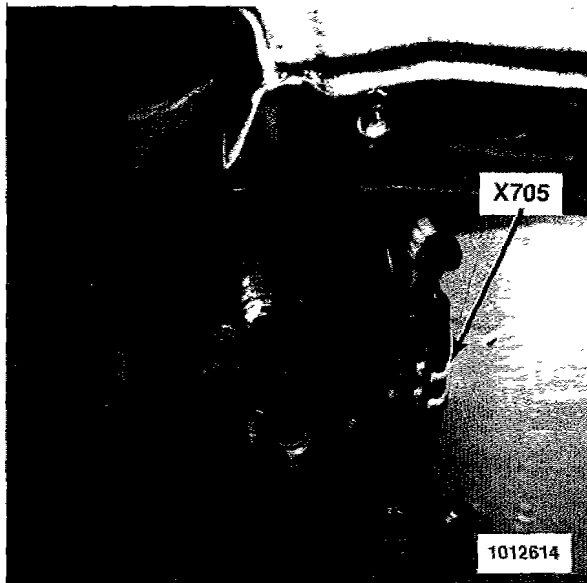


Figure 1- Front Of RH Wheel Well

X705 Connector (2 pins) SW

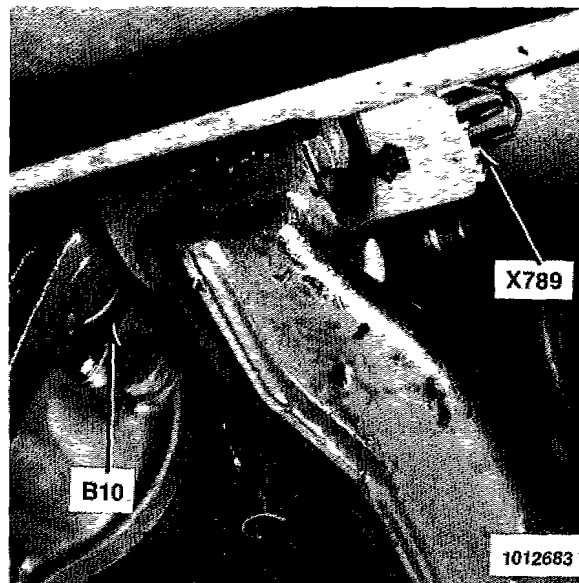


Figure 2- Rear Of Car, On Differential

B10 Vehicle Speed Sensor  
X789 Connector (2 pins) GE

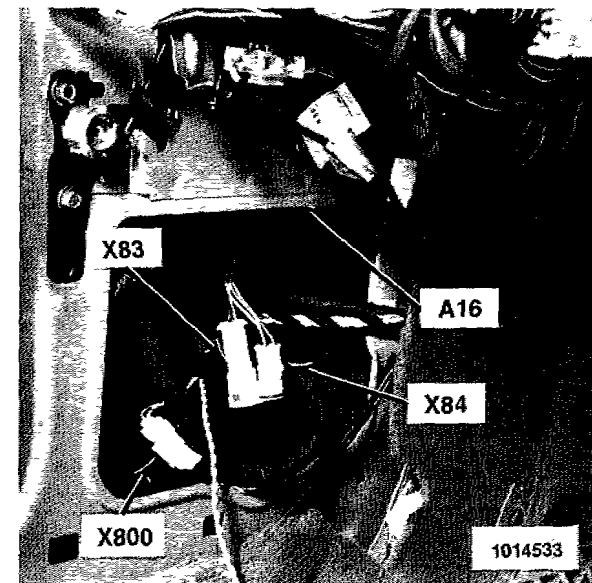


Figure 3- Inside LH Kick Panel

A16 Compressor Control Unit  
X83 Connector (3 pins) GE  
X84 Connector (3 pins) GE  
X800 Connector (2 pins) WS



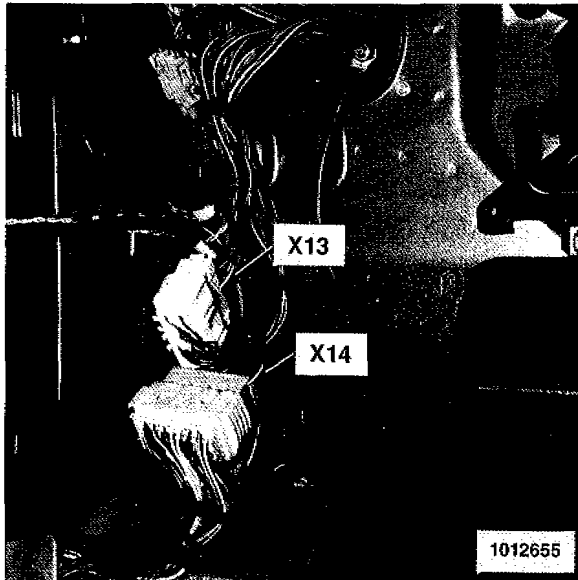


Figure 1- Below LH Side Of Dash, Below Driver's Footrest

- X13 Connector (21 pins) WS
- X14 Connector (30 pins) GE

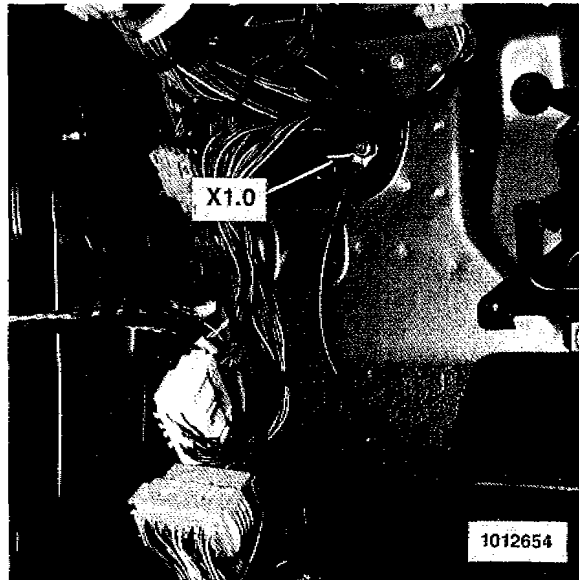


Figure 2- Behind LH Side Of Dash

- X1.0 Junction Post For Front Power Distribution Box

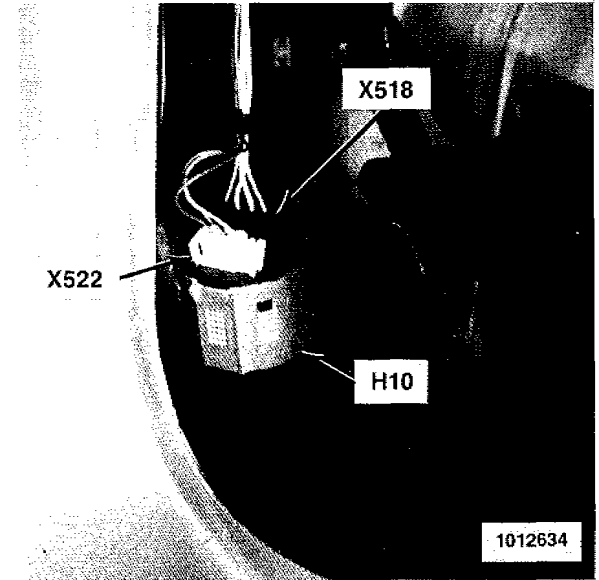
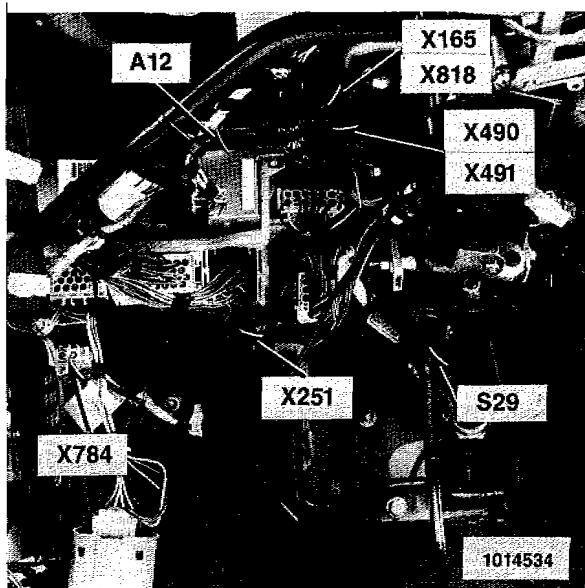


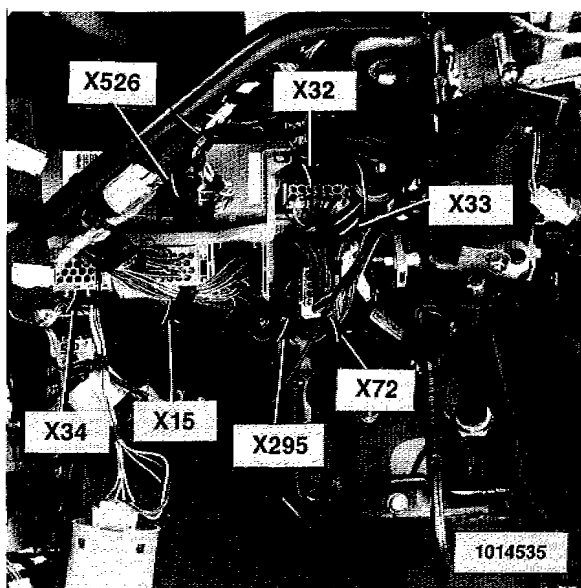
Figure 3- Behind LH Side Of Dash

- H10 Chime Module
- X518 Connector (4 pins) SW
- X522 Connector (3 pins) WS



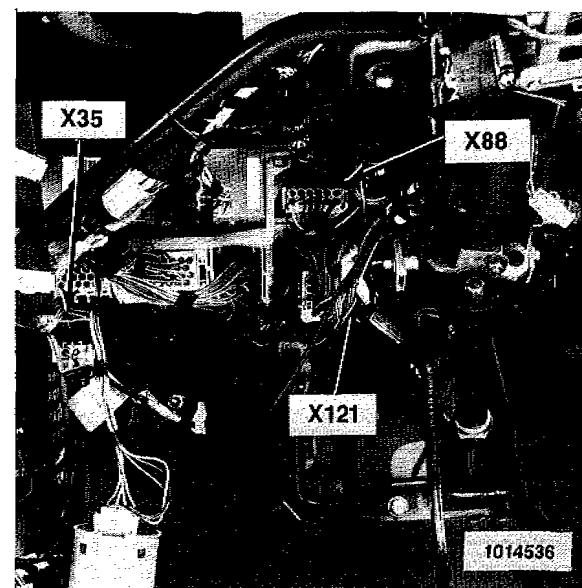
**Figure 1- Behind LH Side Of Dash, LH Side Of Steering Column**

- A12 Diagnostic Module (SRS)**
- S29 Brake Light Switch**
- X251 Connector (30 pins) SW**
- X784 Connector (2 pins) OR**
- X165 Ground**
- X490 Ground**
- X491 Ground**
- X818 Ground**



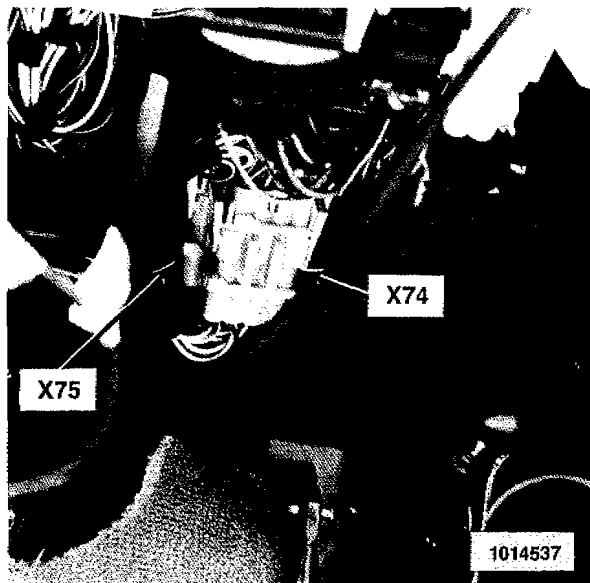
**Figure 2- Behind LH Side Of Dash, LH Side Of Steering Column**

- X15 Connector (30 pins) WS**
- X32 Connector (12 pins) WS**
- X33 Connector (12 pins) SW**
- X34 Connector (21 pins) WS**
- X72 Connector (8 pins) WS**
- X295 Connector (8 pins) SW**
- X526 Connector (8 pins) SW**



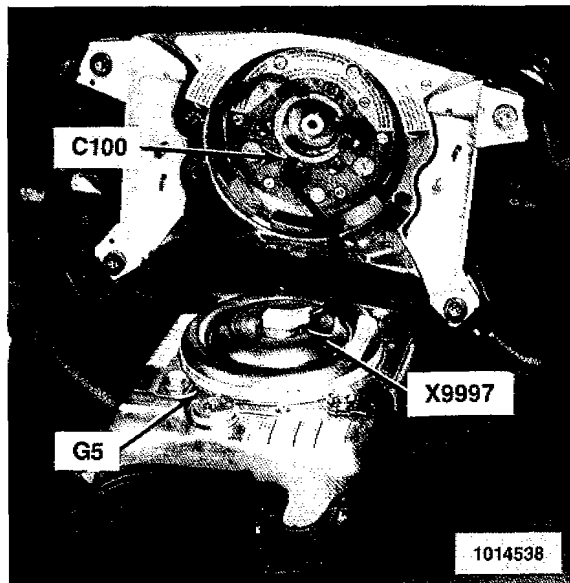
**Figure 3- Behind LH Side Of Dash, LH Side Of Steering Column**

- X35 Connector (21 pins) SW**
- X88 Connector (3 pins) SW**
- X121 Connector (2 pins) WS**



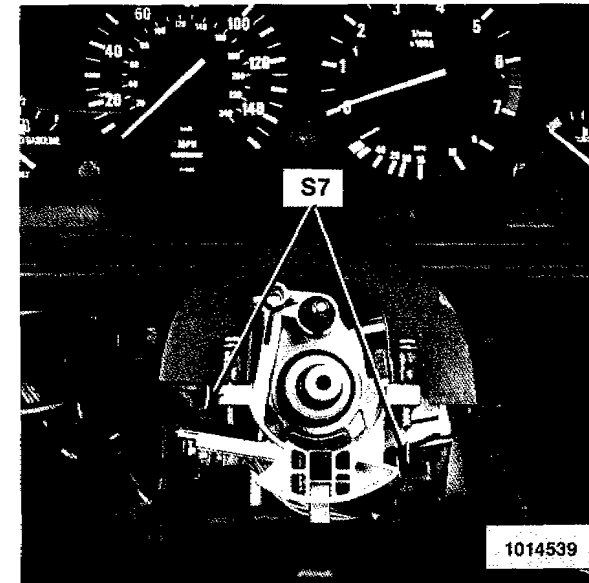
**Figure 1- Behind LH Side Of Dash, LH Side Of Steering Column**

- X74 Connector (8 pins) OR**
- X75 Connector (6 pins) OR**



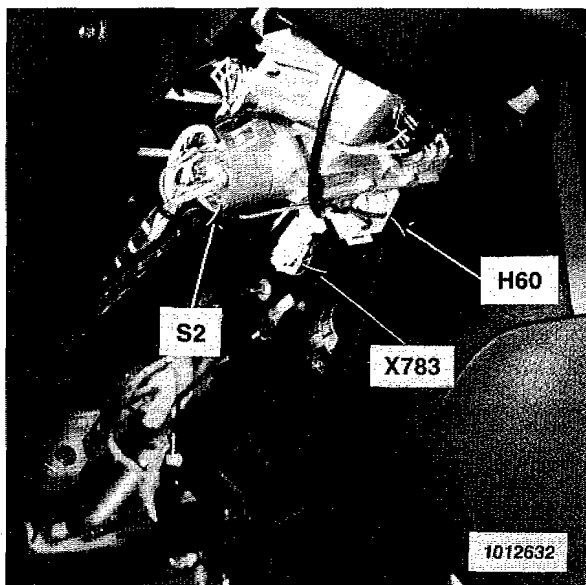
**Figure 2- Inside Steering Wheel**

- C100 Contact Ring**
- G5 Driver's Air Bag Generator**
- X9997 Connector (2 pins) OR**



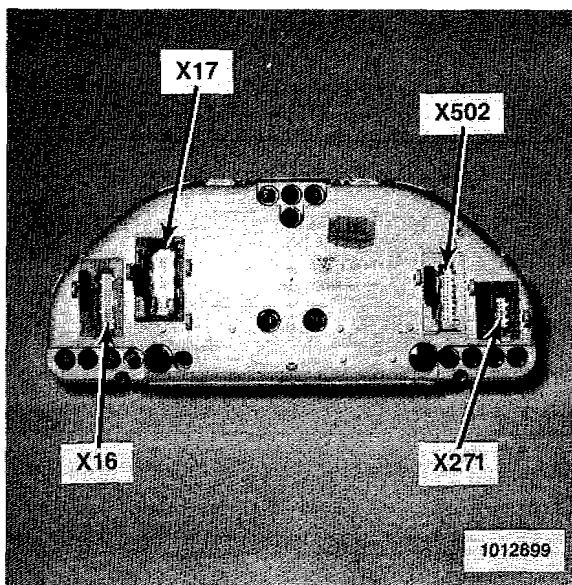
**Figure 3- Top Of Steering Column (Steering Wheel Removed)**

- S7 Combination Switch**



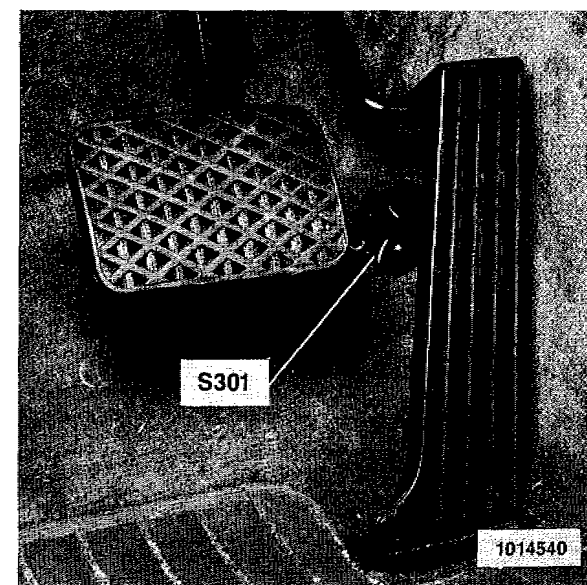
**Figure 1- Underside Of Steering Column**

- H60 Audible Turn-Signal Relay**
- S2 Ignition Switch**
- X783 Connector (2 pins) OR**



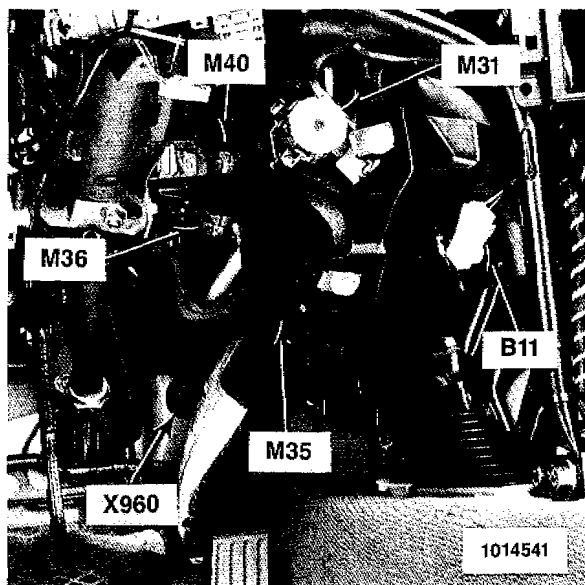
**Figure 2- Rear Of Instrument Cluster**

- X16 Connector (26 pins) GE**
- X17 Connector (24 pins) BR**
- X271 Conenctor (12 pins) GR**
- X502 Connector (26 pins) WS**



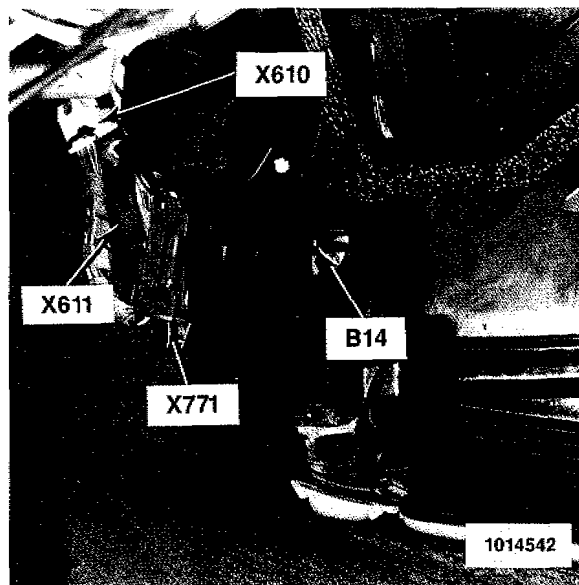
**Figure 3- Below LH Side Of Dash**

- S301 Transmission Kickdown Switch**



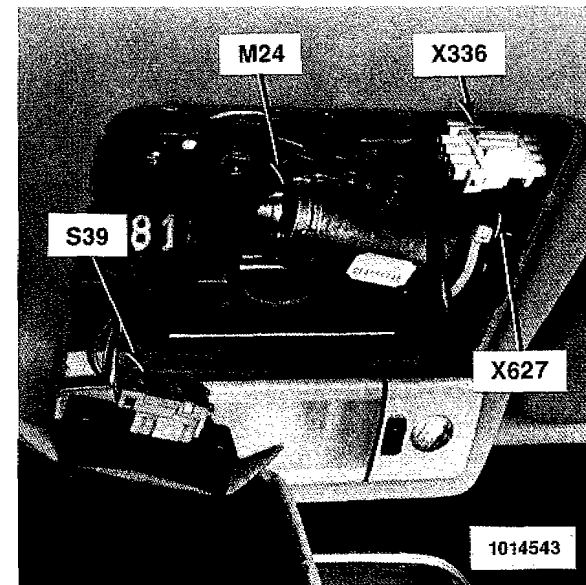
**Figure 1- Behind Center Of Dash, LH Side Of IHKR Plenum**

- B11 Left Heat Exchanger Temperature Sensor**
- M31 Left Footwell Flap Motor**
- M35 Defroster Flap Motor**
- M36 Fresh Air Flap Motor**
- M40 Air Circulation Flap Motor**
- X960 B+ Junction Post**



**Figure 2- Behind Center Of Dash, LH Side Of IHKA Plenum**

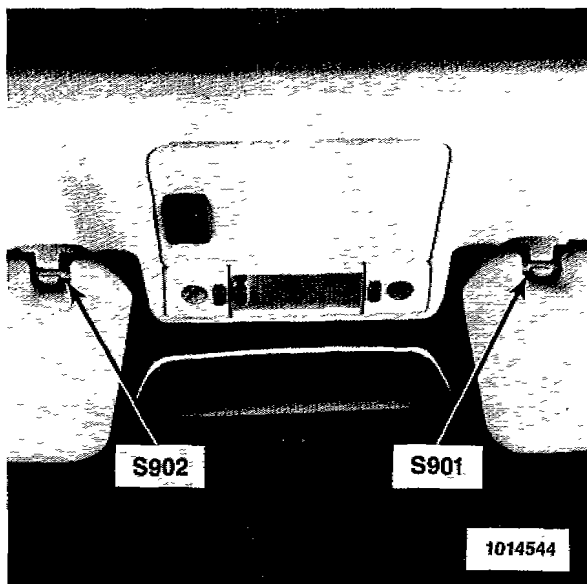
- B14 Evaporator Temperature Sensor**
- X610 Connector (26 pins) WS**
- X611 Connector (26 pins) GN**
- X771 Connector (2 pins) SW**



**Figure 3- Center Of Windshield Header**

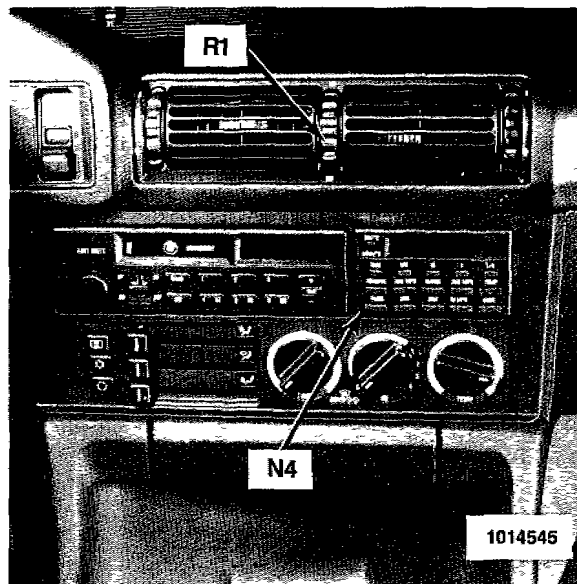
- M24 Sunroof Motor**
- S39 Sunroof Position Switch**
- X336 Connector (4 pins) WS**
- X627 Connector (8 pins) SW**

**BMW**  
**5** **COMPONENT LOCATION VIEWS**



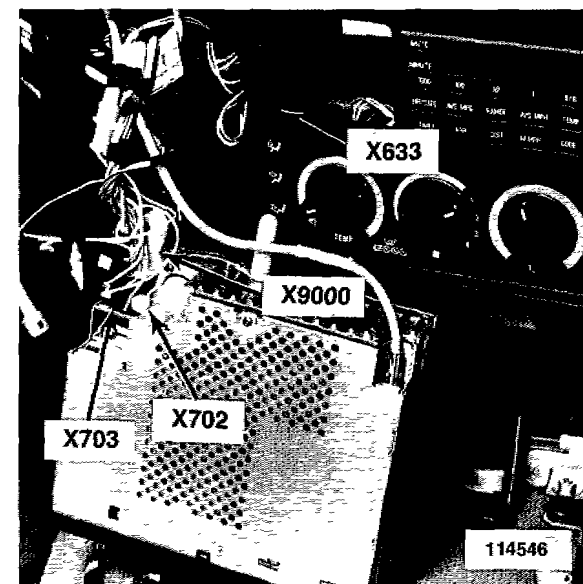
**Figure 1- Center Of Winshield Header**

- S901 Passenger's Visor Switch**
- S902 Driver's Visor Switch**



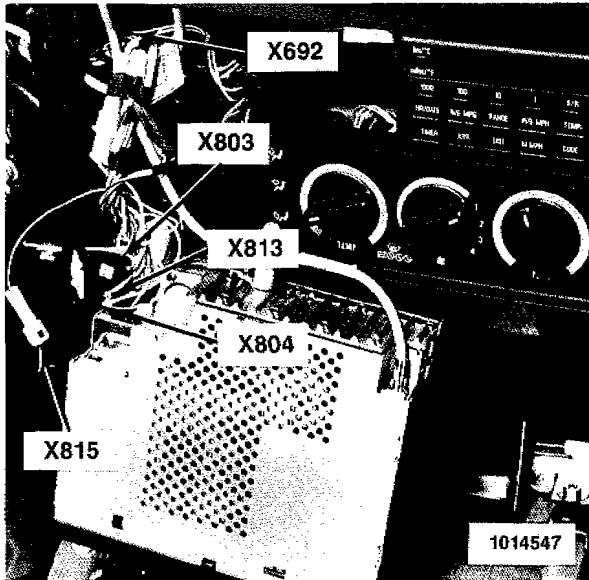
**Figure 2- Center Of Dash**

- N4 On-Board Computer Module**
- R1 Temperature Distribution Potentiometer**



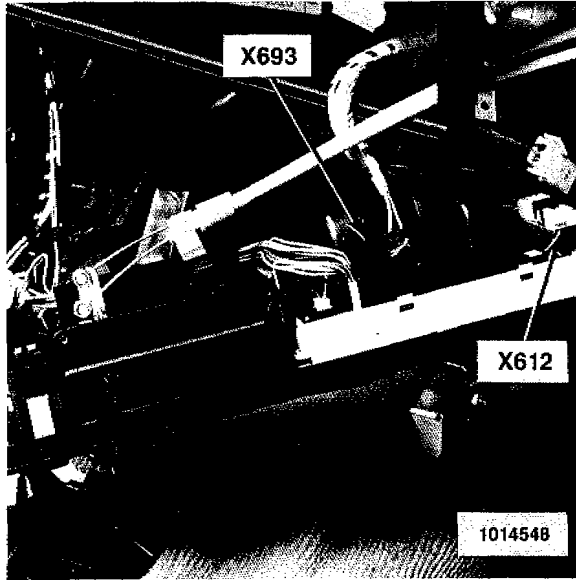
**Figure 3- Behind Center Of Dash**

- X633 Connector (8 pins) SW**
- X702 Connector (2 pins) WS**
- X703 Connector (2 pins) SW**
- X9000 Connector (2 pins) SW**



**Figure 1- Behind Center Of Dash**

- X692 Connector (3 pins) SW**
- X803 Connector (2 pins) SW**
- X804 Connector (2 pins) WS**
- X813 Connector (1 pin) SW**
- X815 Connector (1 pin) WS**



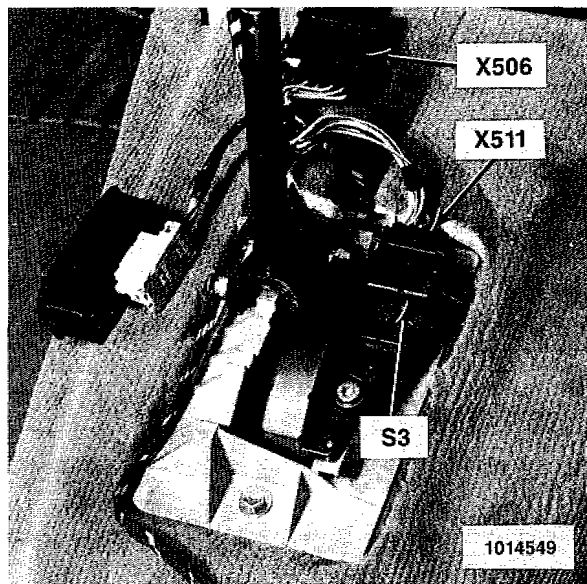
**Figure 2- Behind Center Of Dash**

- X612 Connector (26 pins) BL**
- X693 Connector (3 pins) SW**



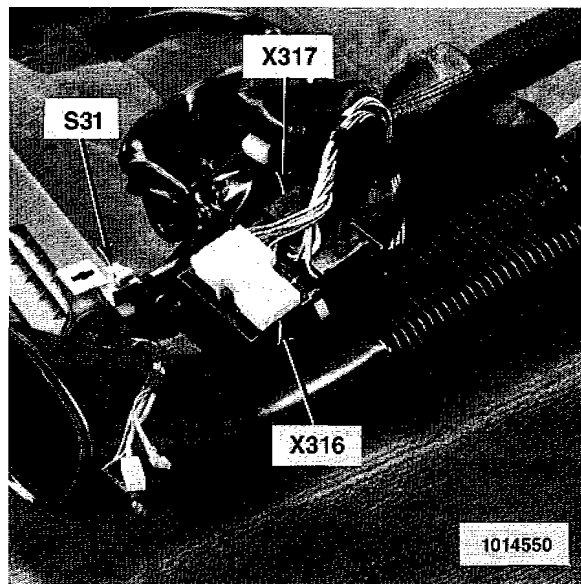
**Figure 3- Below Center Console**

- X546 Connector (2 pins) WS**



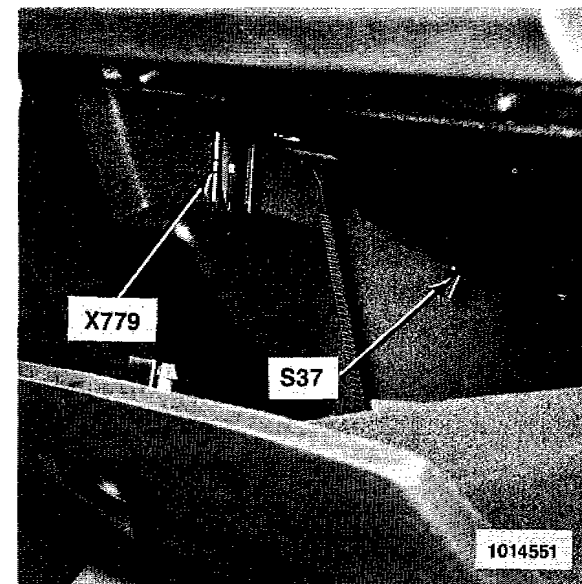
**Figure 1- Below Center Console (Console Removed)**

- S3 Automatic Transmission Range Switch**
- X506 Connector (12 pins) SW**
- X511 Connector (8 pins) SW**



**Figure 2- Below Center Console (Console Removed)**

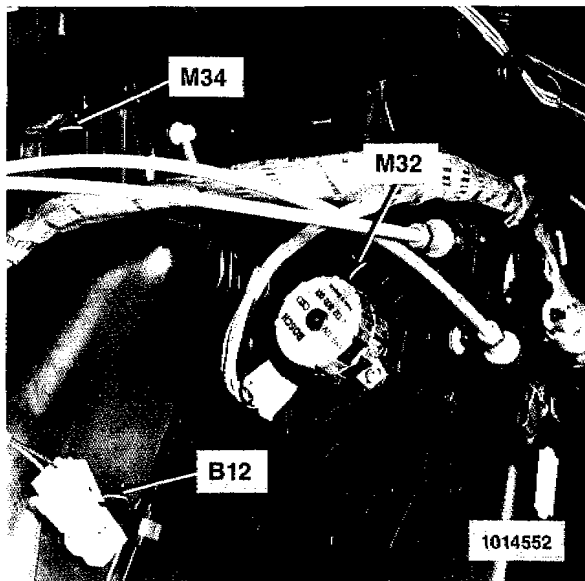
- S31 Park Brake Switch**
- X316 Connector (6 pins) WS**
- X317 Connector (6 pins) SW**



**Figure 3- In LH Side Of Glove Box**

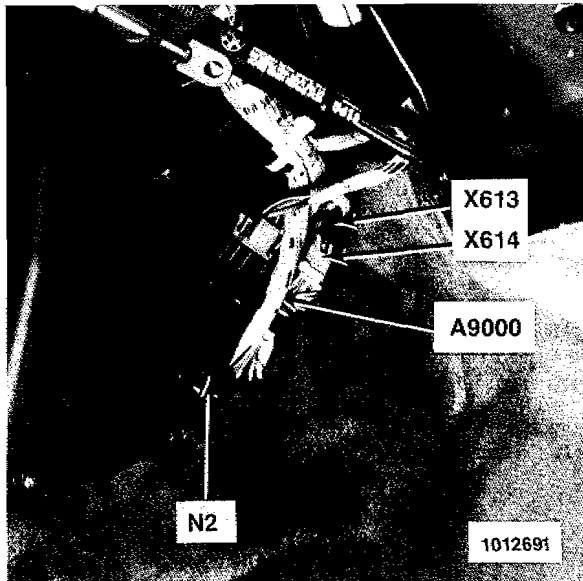
- S37 Glove Box Light Switch**
- X779 Charging Plug**





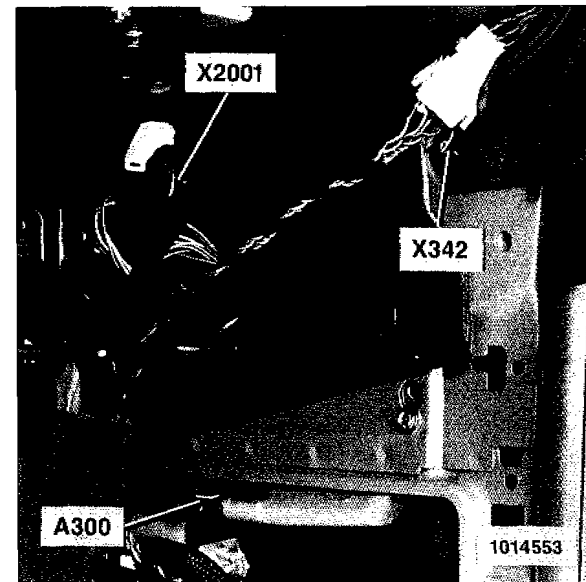
**Figure 1- Behind Center Of Dash, RH Side of IHKR Plenum**

- B12** Right Heat Exchanger Temperature Sensor
- M32** Right Footwell Flap Motor
- M34** Right Mixing Flap Motor



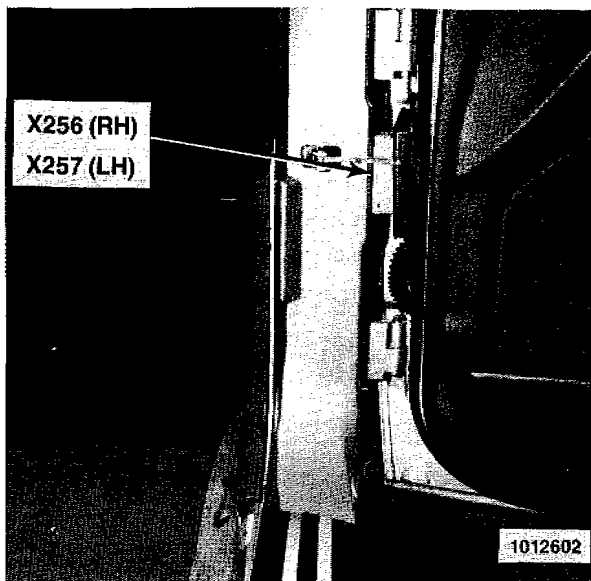
**Figure 2- Behind Center Of Dash LH Side Of IHKA Plenum**

- A9000** Integrated Climate Regulation Control Unit (IHKR)
- N2** Final Stage Unit
- X613** Connector (26 pins) BL
- X614** Connector (26 pins) GE



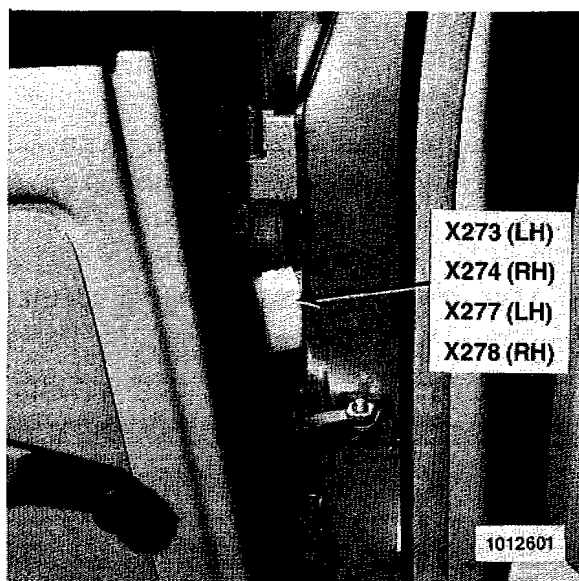
**Figure 3- Behind RH Side Of Dash, at Kick Panel**

- A300** Electronic Transmission Control Unit (AEGS)
- X342** Connector (4 pins) WS
- X2001** Connector (12 pins) SW



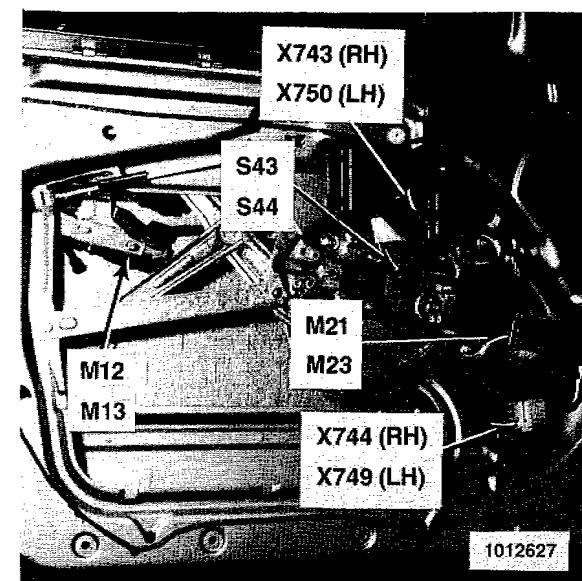
**Figure 1- RH Front Door Jamb (LH Similar)**

- X256 Connector (RH) (26 pins) GR**
- X257 Connector (LH) (26 pins) GR**



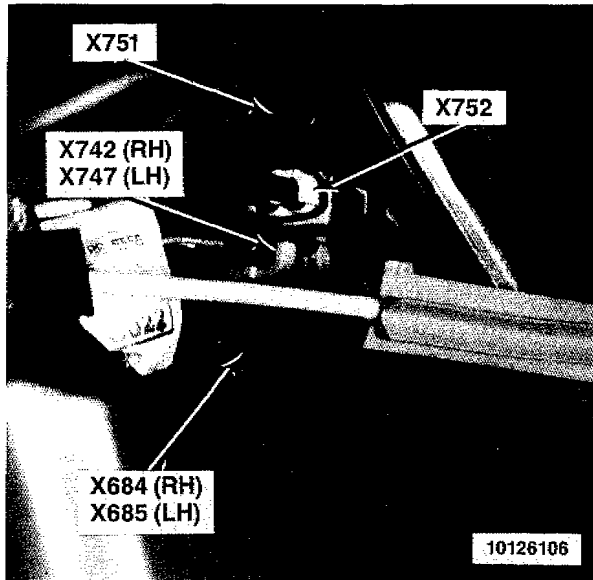
**Figure 2- LH Rear Door Jamb (RH Similar)**

- X273 Connector (LH) (12 pins) GR**
- X274 Connector (RH) (12 pins) GR**
- X277 Connector (LH) (10 pins) BL**
- X278 Connector (RH) (10 pins) BL**



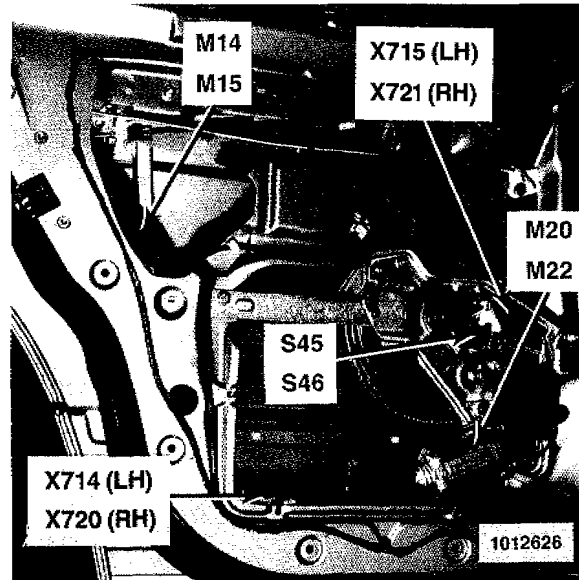
**Figure 3- Behind Door Panel (Driver's Side Shown; Passenger's Similar)**

- M12 Driver's Door Lock Motor**
- M13 Passenger's Door Lock Motor**
- M21 Driver's Window Motor**
- M23 Passenger's Window Motor**
- S43 Driver's Window Limit Switch**
- S44 Passenger's Window Limit Switch**
- X743 Connector (2 pins) (RH) SW**
- X744 Connector (2 pins) (RH) BL**
- X749 Connector (2 pins) (LH) BL**
- X750 Connector (2 pins) (LH) SW**



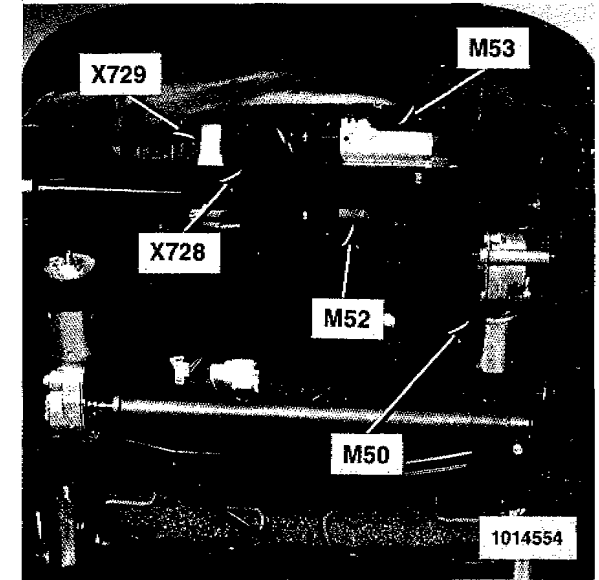
**Figure 1- Driver's Door (Passenger's Similar)**

- X684 Connector (3 pins) (RH) SW
- X685 Connector (3 pins) (LH) SW
- X742 Connector (2 pins) (RH) GE
- X747 Connector (2 pins) (LH) GE
- X751 Connector (2 pins) BL
- X752 Connector (2 pins) WS



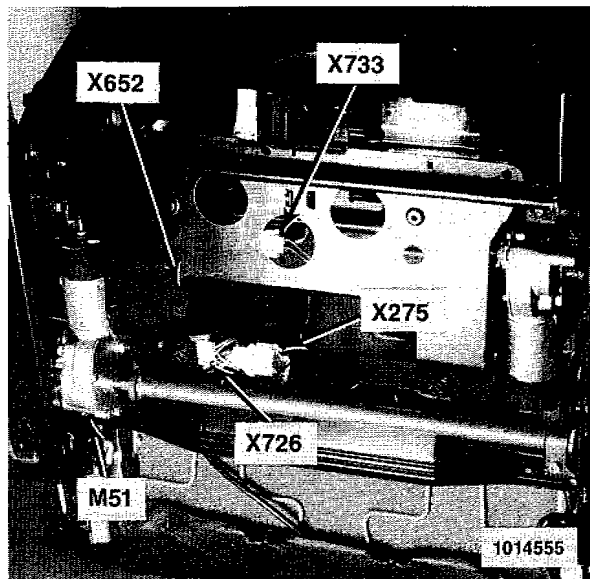
**Figure 2- Behind LH Rear Door Panel (RH Rear Similar)**

- M14 Right Rear Door Lock Motor
- M15 Left Rear Door Lock Motor
- M20 Left Rear Window Motor
- M22 Right Rear Window Motor
- S45 Left Rear Window Limit Switch
- S46 Right Rear Window Limit Switch
- X714 Connector (2 pins) (LH) BL
- X715 Connector (2 pins) (LH) SW
- X720 Connector (2 pins) (RH) BL
- X721 Connector (2 pins) (RH) SW



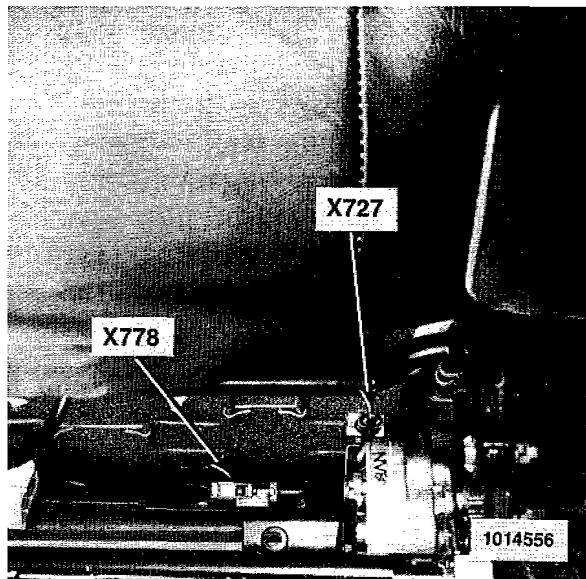
**Figure 3- Under Driver's Seat**

- M50 Driver's Seat Cushion Tilt Motor
- M52 Driver's Seat Height Motor
- M53 Driver's Seatback Recliner Motor
- X728 Connector (2 pins) SW
- X729 Connector (2 pins) WS



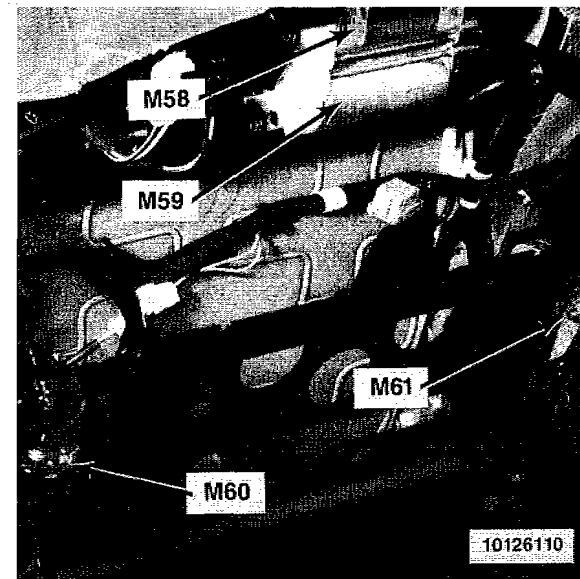
**Figure 1- Under Driver's Seat**

- M51 Driver's Seat Movement Motor**
- X275 Connector (12 pins) WS**
- X652 Connector (6 pins) BL**
- X726 Connector (2 pins) WS**
- X733 Connector (2 pins) WS**



**Figure 2- Under Driver's Seat**

- X727 Connector (2 pins) SW**
- X778 Connector (2 pins) SW**



**Figure 3- Under Passenger's Seat**

- M58 Passenger's Seatback Recliner Motor**
- M59 Passenger's Seat Height Motor**
- M60 Passenger's Seat Movement Motor**
- M61 Passenger's Seat Cushion Tilt Motor**

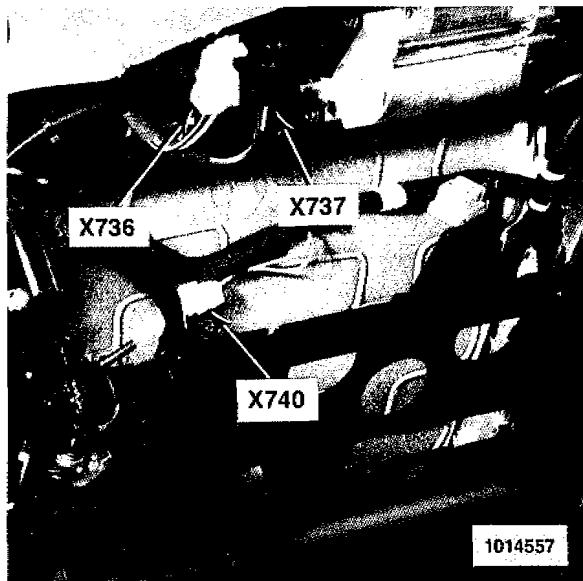


Figure 1- Under Passenger's Seat

- X736 Connector (2 pins) WS
- X737 Connector (2 pins) SW
- X740 Connector (2 pins) WS

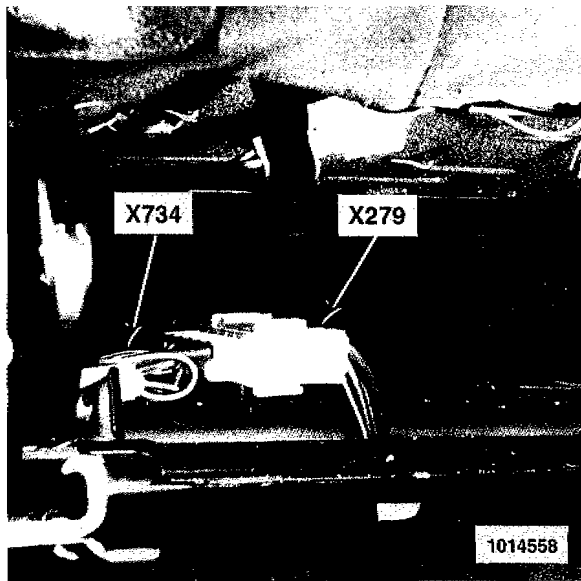


Figure 2- Under Passenger's Seat

- X279 Connector (12 pins) WS
- X734 Connector (2 pins) WS

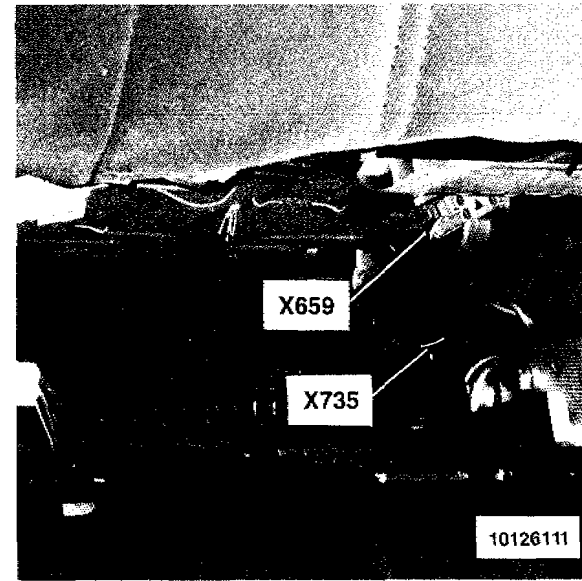


Figure 3- Under Passenger's Seat

- X659 Connector (6 pins) BL
- X735 Connector (2 pins) SW

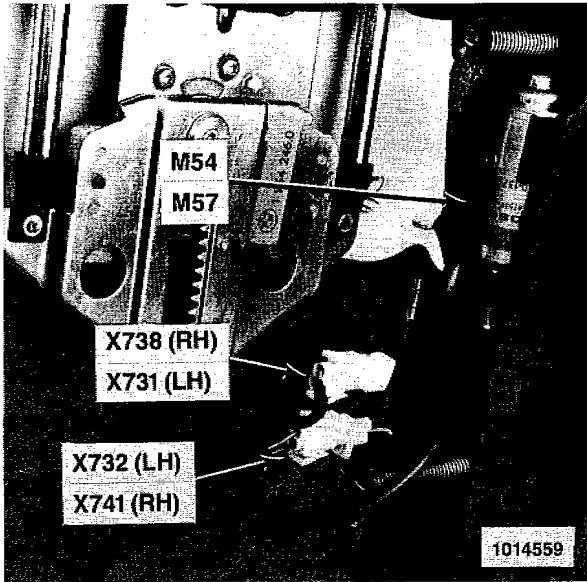


Figure 1- Inside Back Of LH Front Seat  
(RH Similar)

- M54 Driver's Headrest Motor
- M57 Passenger's Headrest Motor
- X731 Connector (2 pins) (LH) WS
- X732 Connector (2 pins) (LH) WS
- X738 Connector (2 pins) (RH) WS
- X741 Connector (2 pins) (RH) WS

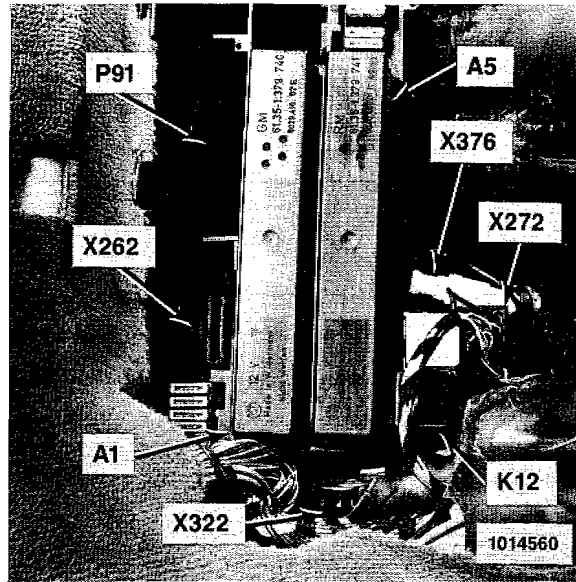


Figure 2- Below LH Side Of Rear Seat

- A1 General Module
- A5 Relay Module
- K12 Wiper Pressure Control (ADV) Relay
- P91 Rear Power Distribution Box
- X262 Connector (26 pins) BL
- X272 Connector (12 pins) SW
- X322 Connector (6 pins) SW
- X376 Connector (2 pins) WS

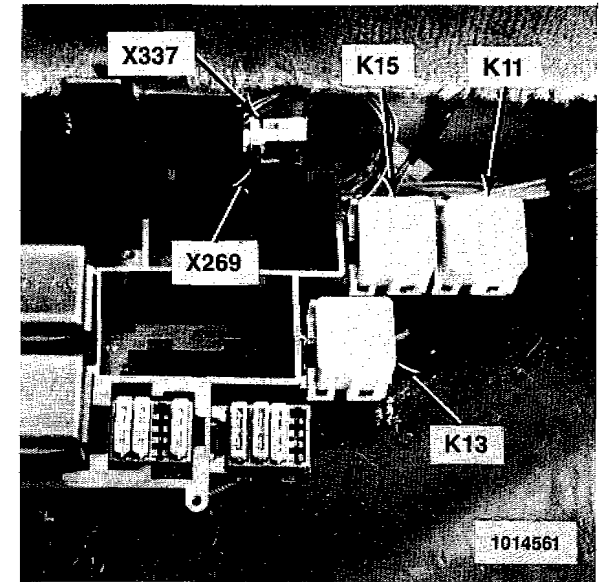
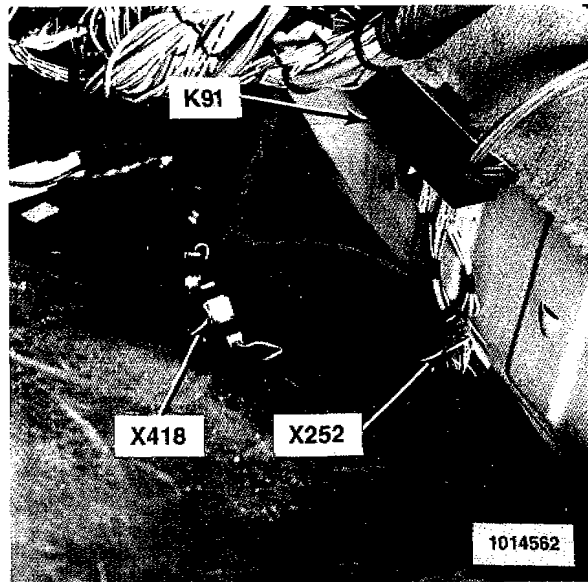


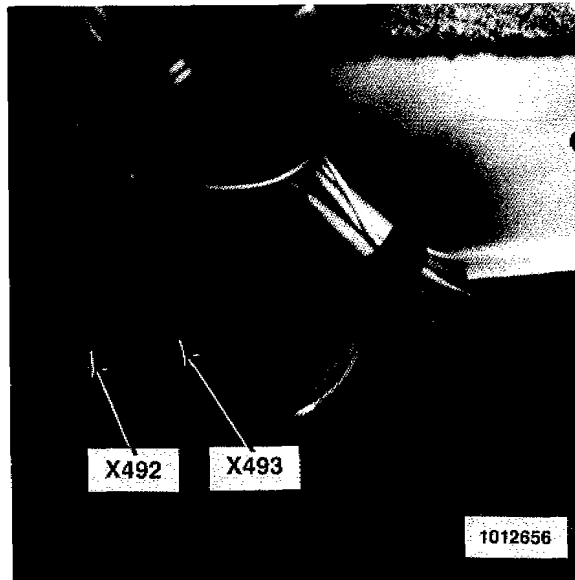
Figure 3- Below LH Side Of Rear Seat

- K11 Wiper Relay
- K13 Rear Defogger Relay
- K15 Electric Power Protection Relay
- X269 Connector (6 pins) SW
- X337 Connector (4 pins) WS



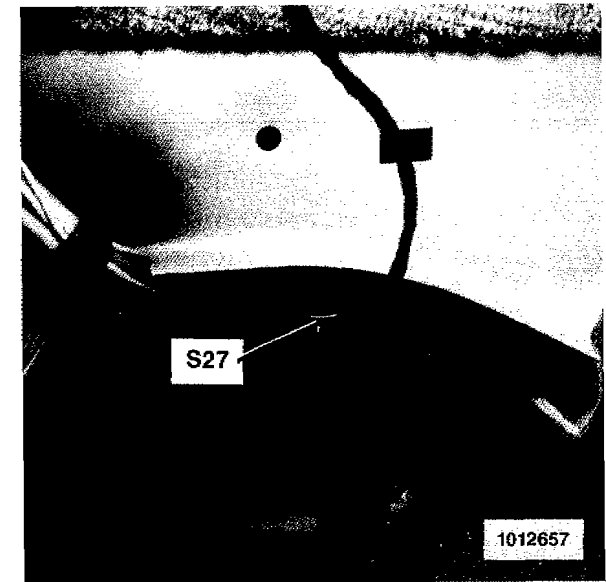
**Figure 1- Below LH Side Of Rear Seat  
(Rear Power Distribution Box  
Removed)**

- K91 On-Board Computer Horn Relay**
- X252 Connector (26 pins) GN**
- X418 Connector (1 pin) GE**



**Figure 2- Below LH Side Of Rear Seat**

- X492 Ground**
- X493 Ground**



**Figure 3- Below LH Side Of Rear Seat**

- S27 Inertia Switch**

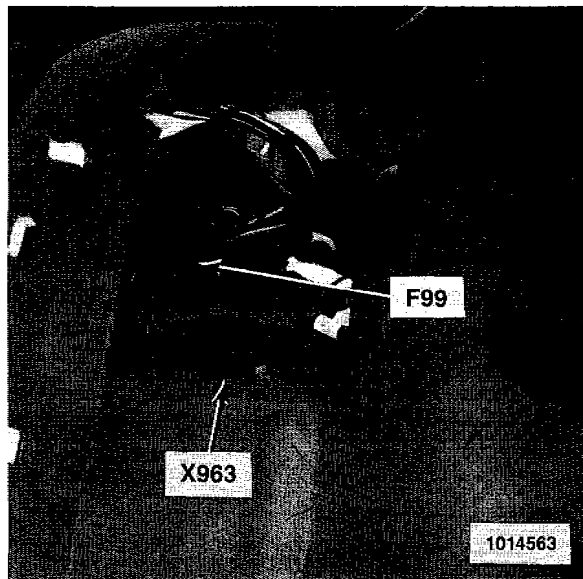


Figure 1- Below RH Side Of Rear Seat  
(525i)

F99 Fusible Link 50A  
X963 B+ Junction Post

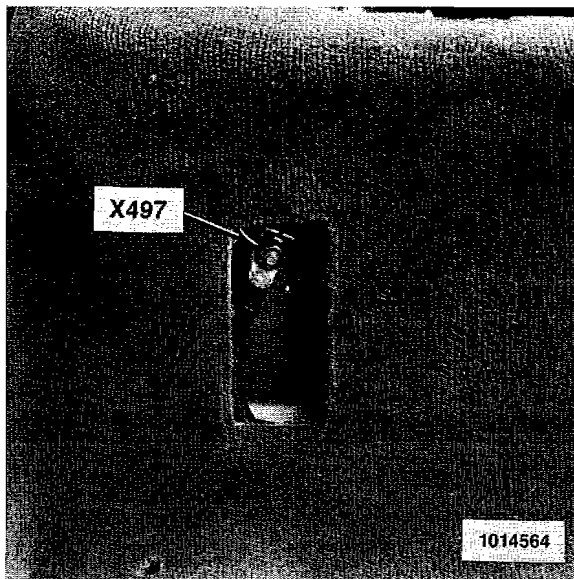


Figure 2- Ahead Of RH Side Of Rear Seat

X497 Ground (Battery)

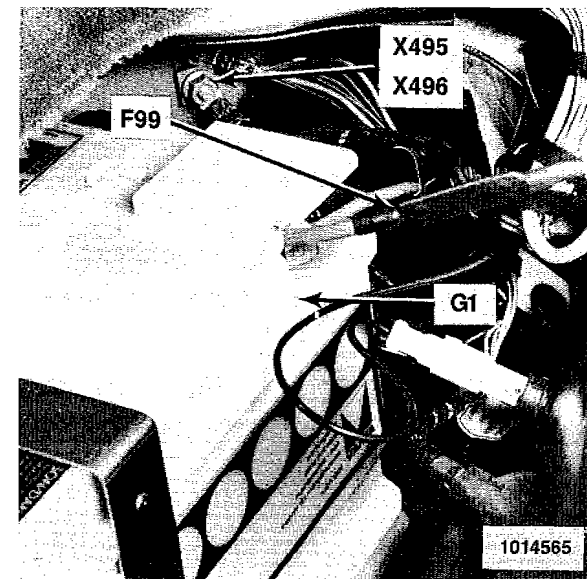


Figure 3- Below RH Side Of Rear Seat  
(535i Shown; 525i Similar)

F99 Fusible Link  
G1 Battery  
X495 Ground  
X496 Ground



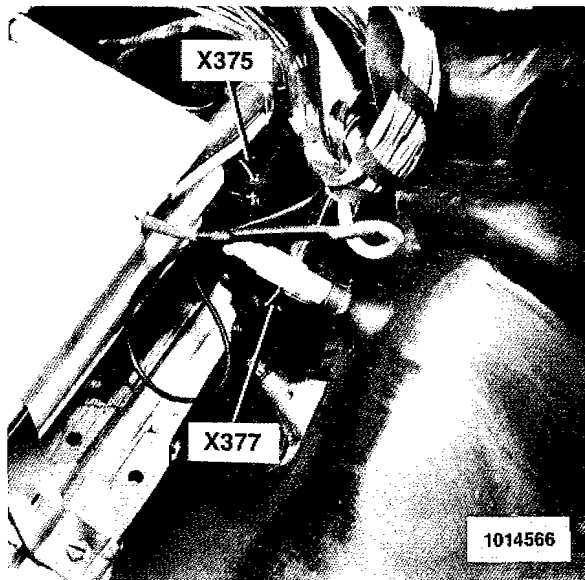


Figure 1- Below RH Side Of Rear Seat  
(535i Shown; 525i Similar)

X375 Connector (3 pins) SW  
X377 Connector (2 pins) WS

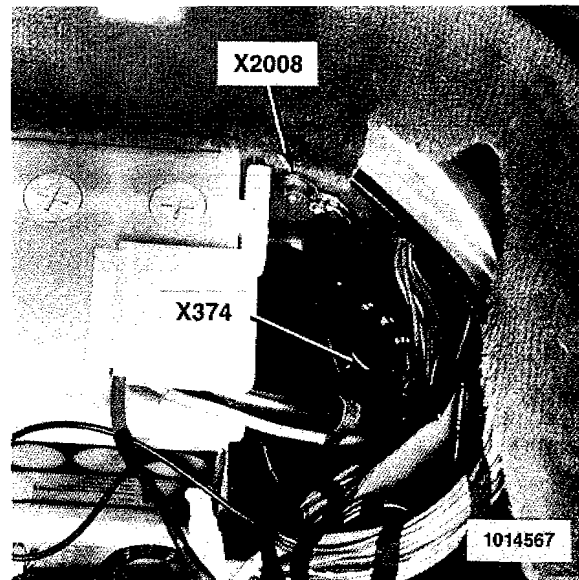


Figure 2- Below RH Side Of Rear Seat  
(535i Shown; 525i Similar)

X374 Connector (3 pins) SW  
X2008 Ground

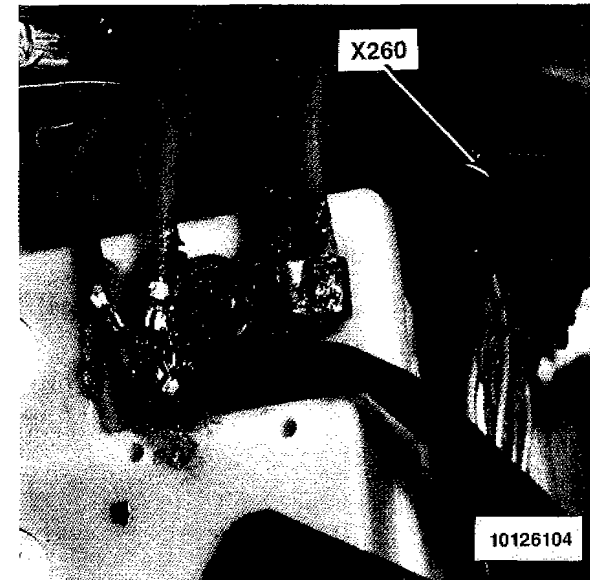
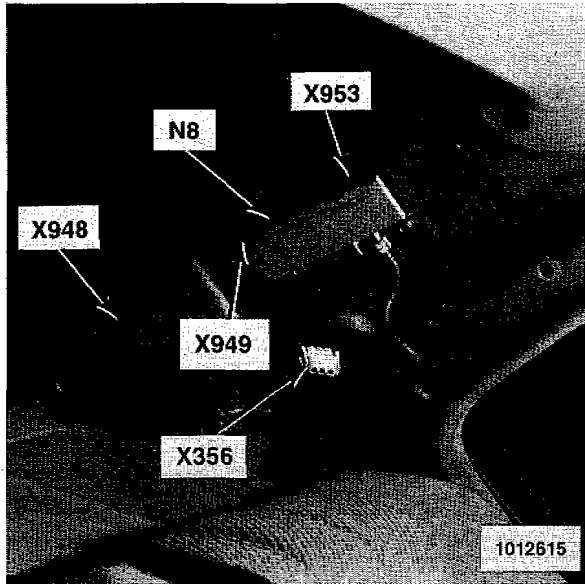


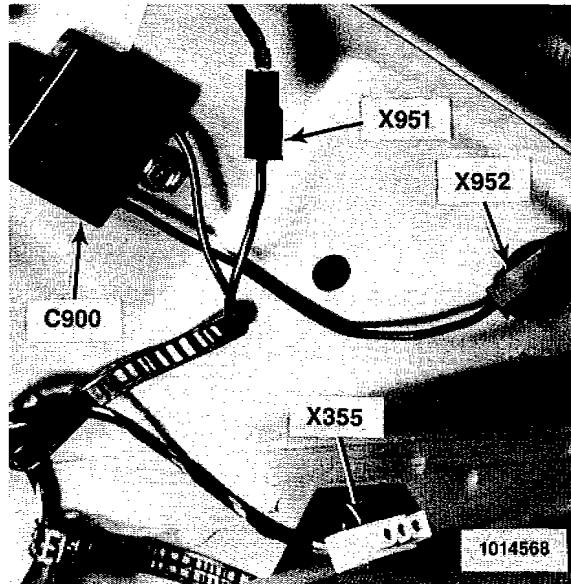
Figure 3- Below RH Side Of Rear Seat  
(535i Shown; 525i Similar)

X260 Connector (21 pins) SW



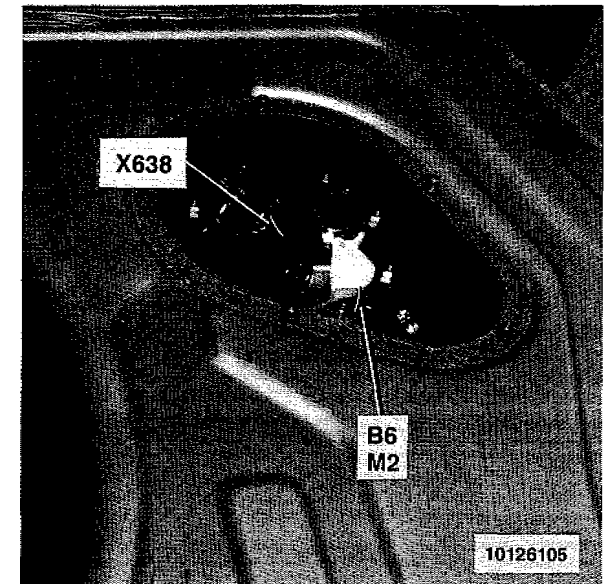
**Figure 1- LH "C" Pillar**

- N8** Antenna Amplifier
- X356** Connector (3 pins) WS
- X948** Connector (1 pin) SW
- X949** Connector (1 pin) SW
- X953** Connector (1 pin) SW



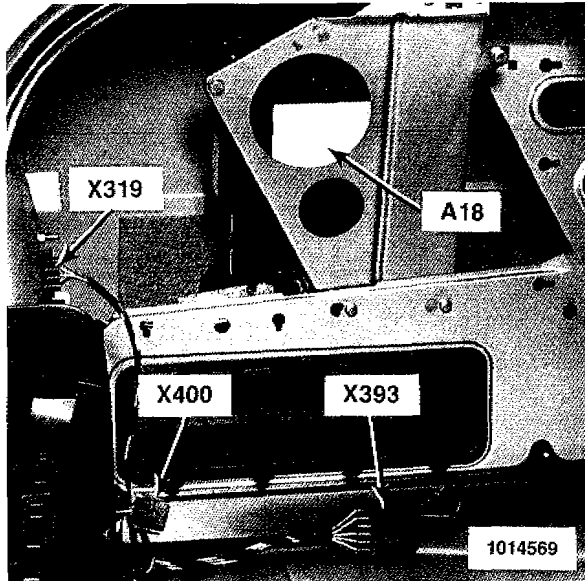
**Figure 2- RH "C" Pillar**

- C900** Defogger Coupler
- X355** Connector (3 pins) WS
- X951** Connector (1 pin) SW
- X952** Connector (1 pin) SW



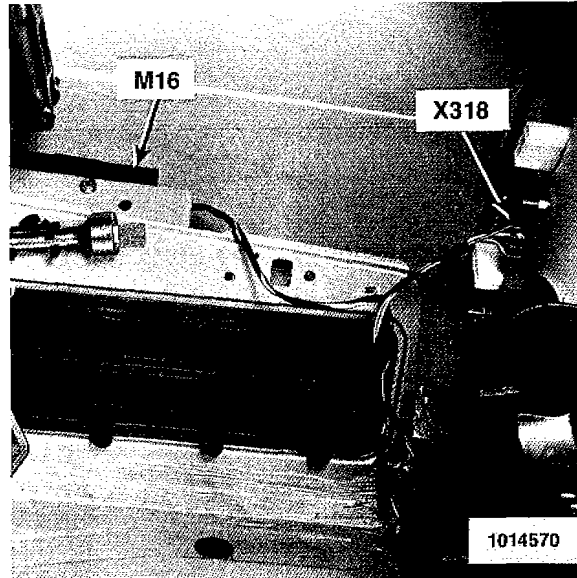
**Figure 3- RH Side Of Luggage Compartment, Below Maintenance Cover**

- B6** Fuel Tank Sensor
- M2** Fuel Pump
- X638** Connector (8 pins) SW



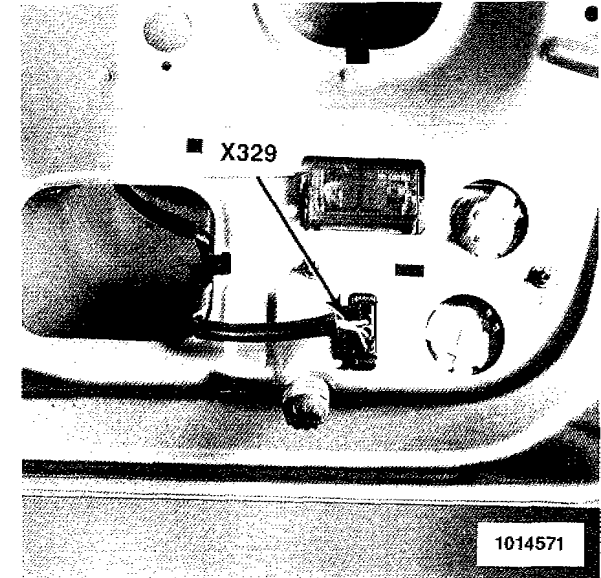
**Figure 1- LH Side Of Luggage Compartment**

- A18 HIFI Amplifier**
- X319 Connector (4 pins) SW**
- X393 Conenctor (6 pins) SW**
- X400 Conector (3 pins) SW**



**Figure 2- RH Side Of Luggage Compartment**

- M16 Gas Filler Lock Motor**
- X318 Connector (4 pins) SW**



**Figure 3- LH Rear Of Trunk Lid**

- X329 Connector (4 pins) SW**

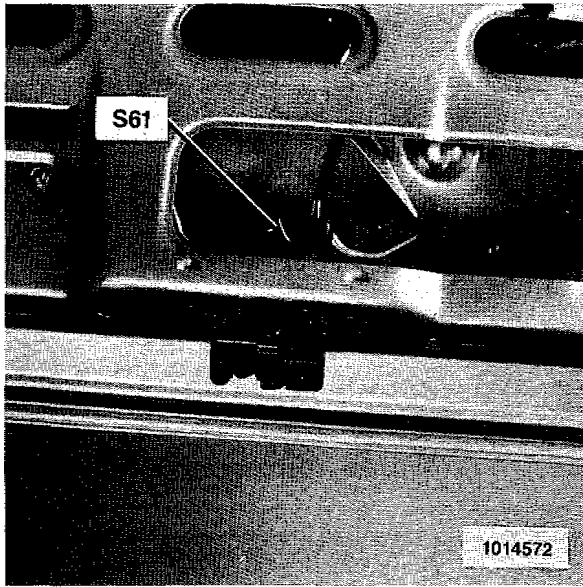


Figure 1- Center Rear Of Trunk Lid

S61 Trunk Lid Switch

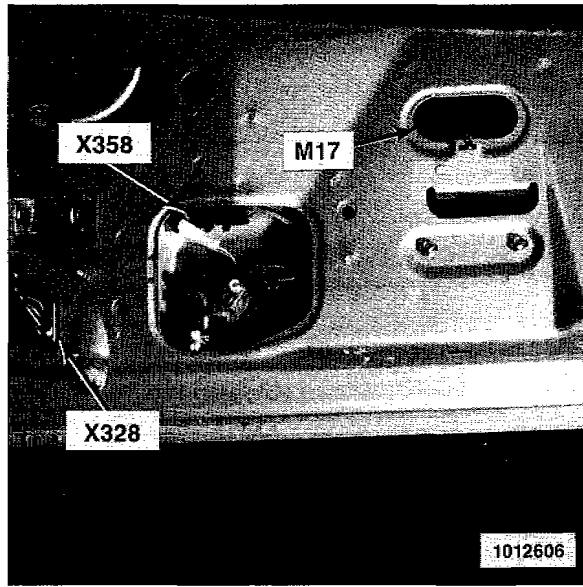


Figure 2- RH Rear Of Trunk Lid

- M17 Trunk Lock Motor
- X328 Connector (4 pins) SW
- X358 Connector (3 pins) SW



## SPLICE LOCATION VIEWS

### INDEX

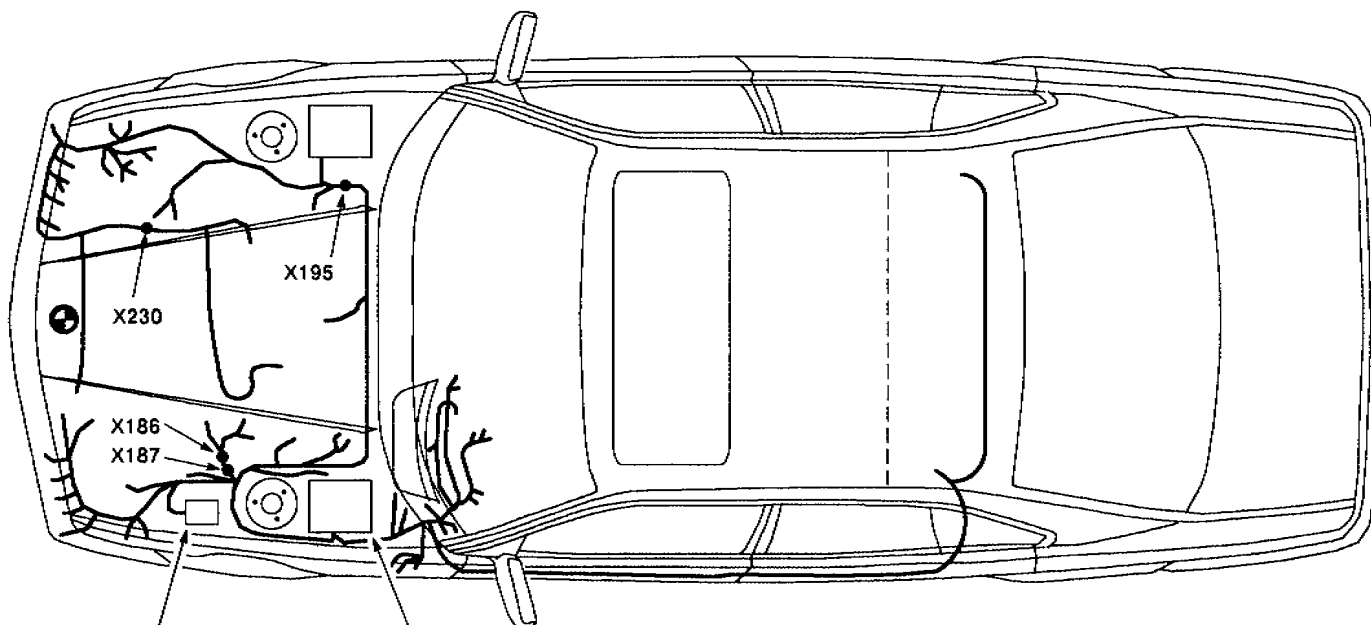
This index contains all the splices in the car, what harness each one is in, and the page that the splices appear on. The drawings after the index show how the harness is routed through the car and where the splices are located on the harness.

Splice	Harness	Page
X181-X246	Front	8000.0-01
X433-X479	Rear	8000.0-05
X557-X584	Instrument	8000.0-04
X831	Sunroof	Not shown
X833	Rear	8000.0-05
X834	LH Rear Door	Not shown
X835	RH Rear Door	Not shown
X836	Driver's Seat	Not shown
X839-X843	Driver's Seat	Not shown
X844-X847	Passenger's Seat	Not shown
X848-X851	Driver's Door	Not shown
X852-X860	IHKR	Not shown
X863	Passenger's Door	Not shown
X864-X865	Park Ventilation	Not shown
X1022	Front	8000.0-01
X1023	Front	8000.0-01
X1029	Front	8000.0-01
X1043	Front	8000.0-01
X1047	Front	8000.0-01
X1159	Front	8000.0-01
X1202	Front	8000.0-01
X1359	Rear	8000.0-05
X1360	Rear	8000.0-05
X2010	AEGS	Not shown



# SPLICE LOCATION VIEWS

## FRONT HARNESS



- X189 •
- X202 •

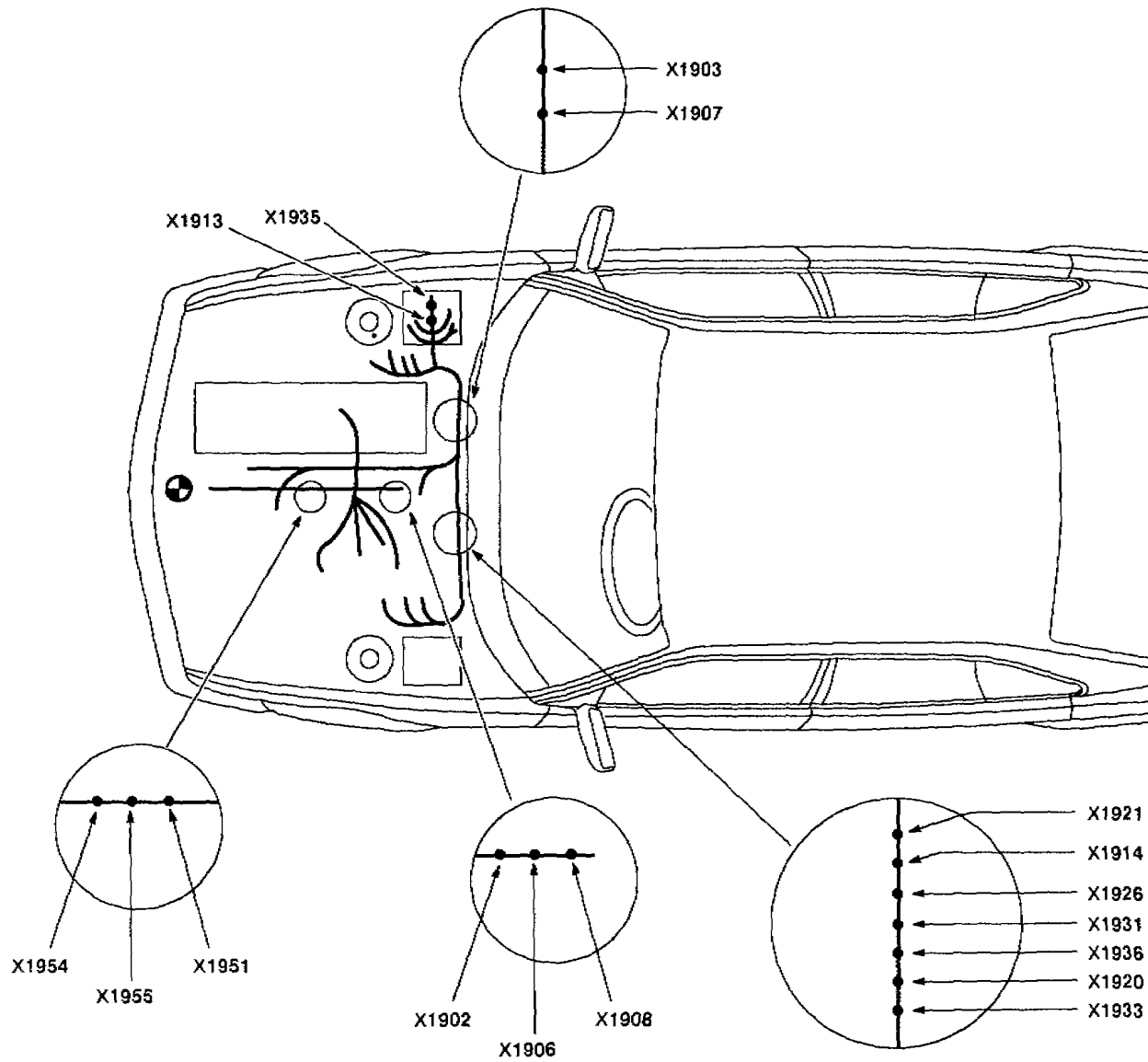
- |        |        |        |        |         |
|--------|--------|--------|--------|---------|
| X181 • | X195 • | X206 • | X223 • | X1022 • |
| X182 • | X196 • | X207 • | X225 • | X1023 • |
| X183 • | X197 • | X208 • | X226 • | X1029 • |
| X184 • | X198 • | X209 • | X227 • | X1043 • |
| X185 • | X199 • | X212 • | X228 • | X1047 • |
| X188 • | X200 • | X213 • | X241 • | X1159 • |
| X190 • | X201 • | X214 • | X245 • | X1202 • |
| X191 • | X203 • | X215 • | X246 • |         |
| X192 • | X204 • | X217 • |        |         |
| X193 • | X205 • | X222 • |        |         |



# SPLICE LOCATION VIEWS

M30 ENGINE HARNESS (535i)

535i

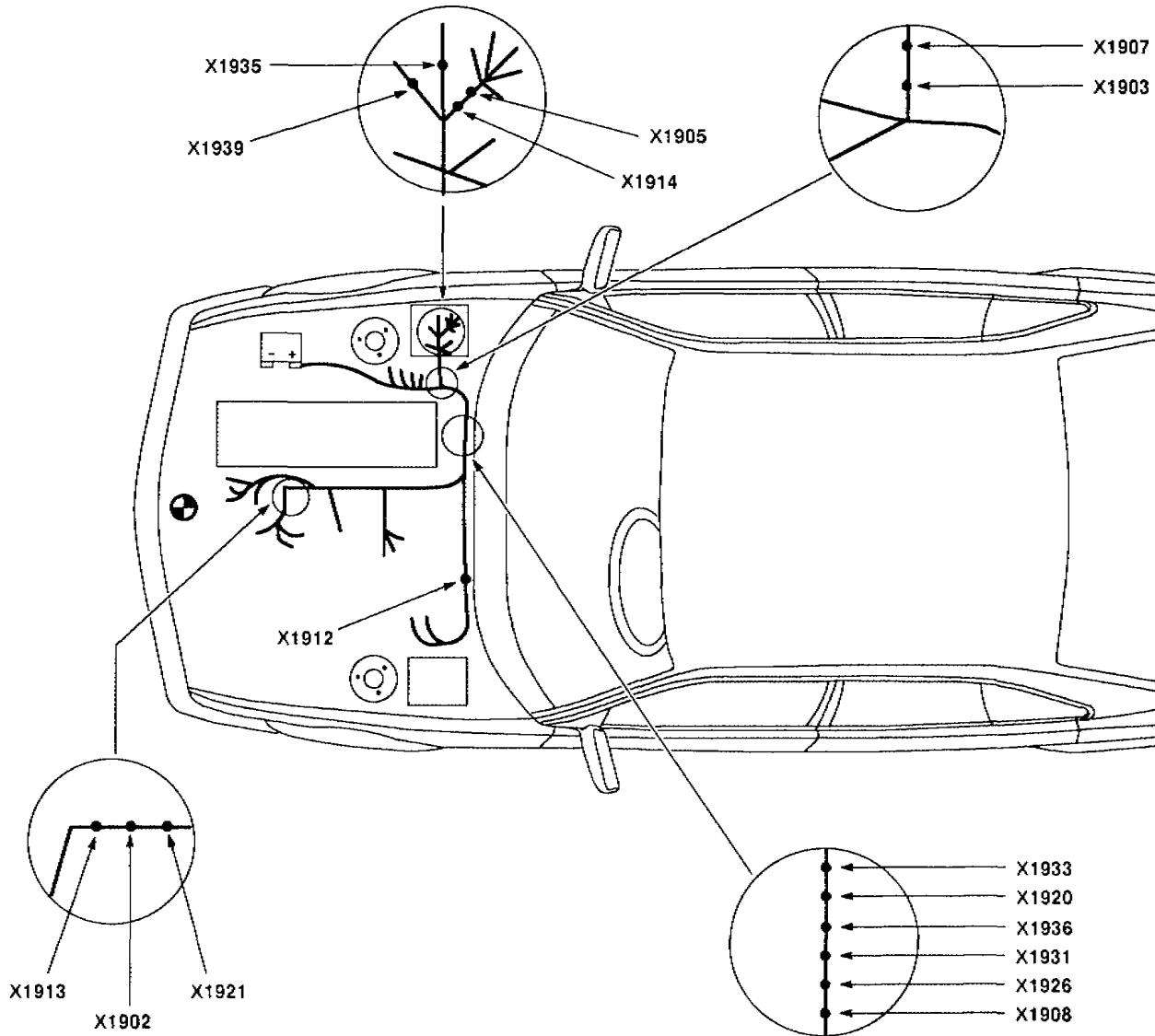




# SPLICE LOCATION VIEWS

M20 ENGINE HARNESS (525i)

525i

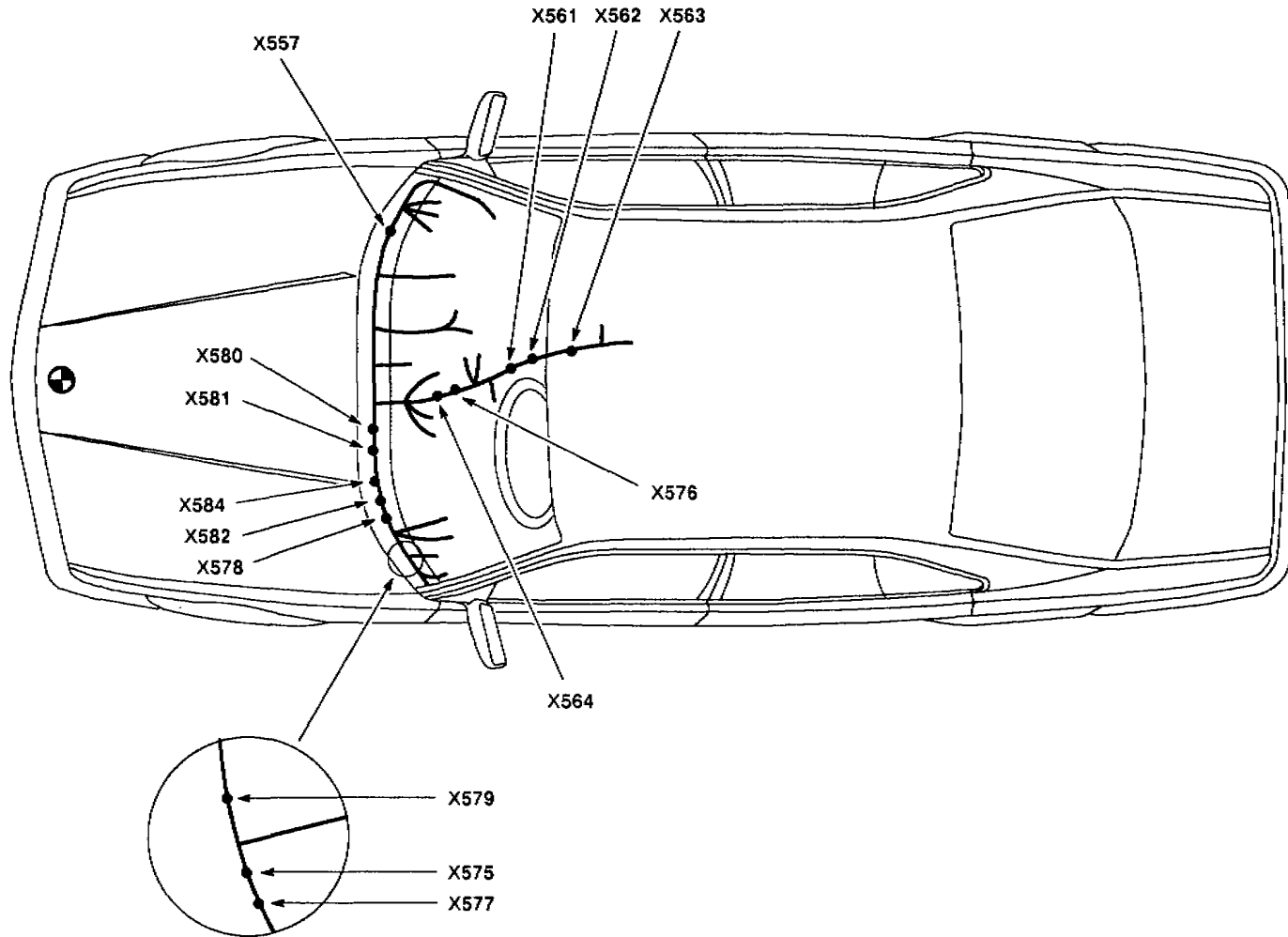






# SPLICE LOCATION VIEWS

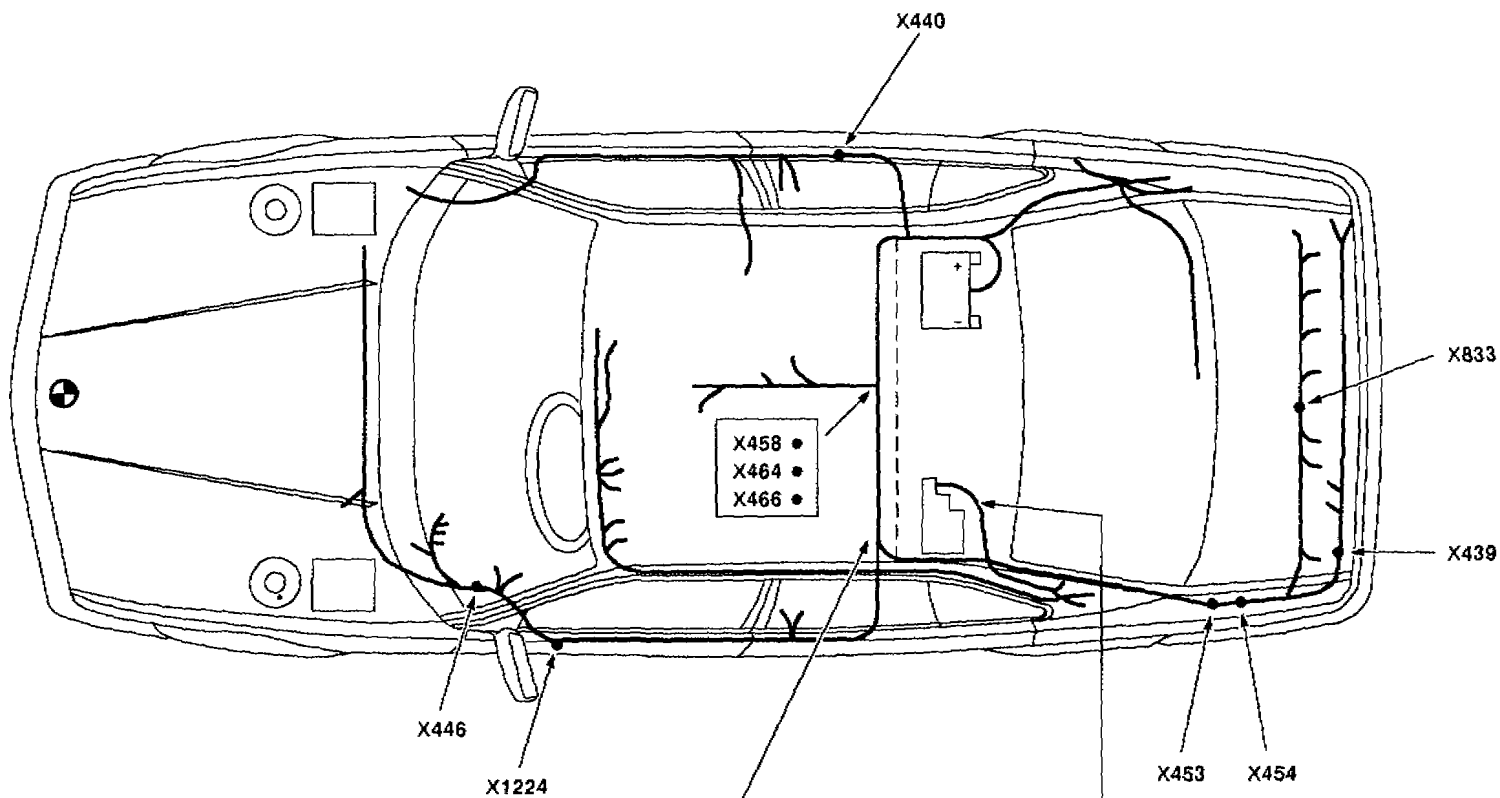
## INSTRUMENT HARNESS





# SPLICE LOCATION VIEWS

## REAR HARNESS



- |        |        |        |
|--------|--------|--------|
| X433 • | X450 • | X463 • |
| X435 • | X451 • | X467 • |
| X436 • | X455 • | X468 • |
| X437 • | X456 • | X470 • |
| X443 • | X459 • | X472 • |
| X444 • | X460 • | X475 • |
| X445 • | X461 • | X479 • |
| X449 • | X462 • |        |

- |        |
|--------|
| X428 • |
| X431 • |
| X441 • |
| X442 • |
| X447 • |
| X448 • |
| X452 • |
| X465 • |
| X469 • |



## Connector Views Chart

Connector		Page - Fig.	Connector		Page - Fig.
X11	Connector (35-Pins, Natural)	8500.0-00-3	X61	Connector (9-Pins, Black)	8500.0-02-3
X12	Connector (35-Pins, Black)	8500.0-00-2	X62	Connector (9-Pins, White)	8500.0-02-3
X13	Connector (21-Pins, White)	8500.0-01-3	X63	Connector (9-Pins, White)	8500.0-02-3
X14	Connector (30-Pins, Yellow)	8500.0-00-4	X64	Connector (9-Pins, Black)	8500.0-02-3
X15	Connector (30-Pins, White)	8500.0-00-4	X69	Connector (8-Pins, White)	8500.0-03-1
X16	Connector (26-Pins, Beige)	8500.0-01-1	X70	Connector (8-Pins, Black)	8500.0-03-2
X17	Connector (24-Pins, Brown)	8500.0-01-4	X71	Connector (8-Pins, Black)	8500.0-03-2
X18	Connector (26-Pins, Blue)	8500.0-01-1	X72	Connector (8-Pins, White)	8500.0-03-1
X19	Connector (26-Pins, Green)	8500.0-01-1	X73	Connector (8-Pins, Black)	8500.0-03-1
X20	Connector (20-Pins, Black)	8500.0-01-2	X74	Connector (8-Pins, Orange)	8500.0-03-1
X21	Connector (20-Pins, Black)	8500.0-01-5	X75	Connector (6-Pins, Orange)	8500.0-04-1
X22	Connector (26-Pins, Blue)	8500.0-01-1	X76	Connector (6-Pins, Black)	8500.0-04-1
X31	Connector (12-Pins, Black)	8500.0-01-6	X79	Connector (4-Pins, White)	8500.0-06-5
X32	Connector (12-Pins, White)	8500.0-02-1	X81	Connector (3-Pins, Orange)	8500.0-04-4
X33	Connector (12-Pins, Black)	8500.0-02-1	X82	Connector (3-Pins, Black)	8500.0-04-2
X34	Connector (21-Pins, White)	8500.0-01-3	X83	Connector (3-Pins, Yellow)	8500.0-04-5
X35	Connector (21-Pins, Black)	8500.0-01-3	X84	Connector (3-Pins, Yellow)	8500.0-04-3
X48	Connector (9-Pins, White)	8500.0-02-3	X85	Connector (3-Pins, Black)	8500.0-04-2
X49	Connector (9-Pins, White)	8500.0-02-3	X86	Connector (3-Pins, Orange)	8500.0-04-4
X50	Connector (9-Pins, White)	8500.0-02-3	X87	Connector (3-Pins, Black)	8500.0-04-4
X51	Connector (9-Pins, Black)	8500.0-02-3	X88	Connector (3-Pins, Black)	8500.0-03-3
X52	Connector (9-Pins, White)	8500.0-02-3	X89	Connector (3-Pins, Black)	8500.0-03-6
X53	Connector (9-Pins, White)	8500.0-02-3	X90	Connector (3-Pins, Black)	8500.0-03-6
X54	Connector (9-Pins, Black)	8500.0-02-3	X93	Connector (3-Pins, Black)	8500.0-03-6
X55	Connector (9-Pins, White)	8500.0-02-3	X94	Connector (3-Pins, Black)	8500.0-03-6
X56	Connector (9-Pins, White)	8500.0-02-3	X116	Connector (4-Pins, Black)	8500.0-06-5
X57	Connector (9-Pins, White)	8500.0-02-3	X163	Connector (3-Pins, Black)	8500.0-04-2
X58	Connector (9-Pins, White)	8500.0-02-3	X251	Connector (30-Pins, Black)	8500.0-00-4
X59	Connector (9-Pins, White)	8500.0-02-3	X252	Connector (26-Pins, Green)	8500.0-01-1



## Connector Views Chart

Connector		Page - Fig.	Connector		Page - Fig.
X253	Connector (26-Pins, Green)	8500.0-01-1	X296	Connector (6-Pins, White)	8500.0-04-1
X254	Connector (26-Pins, White)	8500.0-01-1	X297	Connector (9-Pins, White)	8500.0-02-3
X255	Connector (26-Pins, Yellow)	8500.0-01-1	X311	Connector (6-Pins, Black)	8500.0-08-3
X256	Connector (26-Pins, Black)	8500.0-13-1	X299	Connector (6-Pins, White)	8500.0-04-1
X257	Connector (26-Pins, Black)	8500.0-13-1	X301	Connector (26-Pins, Green)	8500.0-01-1
X258	Connector (20-Pins, White)	8500.0-08-4	X312	Connector (6-Pins, Black)	8500.0-08-3
X259	Connector (20-Pins, Black)	8500.0-08-4	X316	Connector (6-Pins, White)	8500.0-05-4
X260	Connector (21-Pins, Black)	8500.0-01-3	X317	Connector (6-Pins, Black)	8500.0-05-4
X262	Connector (26-Pins, Blue)	8500.0-01-1	X318	Connector (4-Pins, Black)	8500.0-06-5
X263	Connector (26-Pins, Green)	8500.0-01-1	X319	Connector (4-Pins, Black)	8500.0-06-5
X269	Connector (6-Pins, Black)	8500.0-04-1	X322	Connector (6-Pins, Black)	8500.0-04-1
X270	Connector (12-Pins, Black)	8500.0-08-5	X323	Connector (6-Pins, Black)	8500.0-06-1
X271	Connector (12-Pins, Grey)	8500.0-08-2	X328	Connector (4-Pins, Black)	8500.0-06-5
X272	Connector (12-Pins, Black)	8500.0-02-1	X329	Connector (4-Pins, Black)	8500.0-06-5
X273	Connector (12-Pins, Gray)	8500.0-02-2	X331	Connector (5-Pins, Green)	8500.0-02-4
X274	Connector (12-Pins, Gray)	8500.0-02-2	X332	Connector (5-Pins, White)	8500.0-05-2
X275	Connector (12-Pins, White)	8500.0-02-1	X333	Connector (4-Pins, Black)	8500.0-08-6
X277	Connector (10-Pins, Blue)	8500.0-02-2	X334	Connector (4-Pins, White)	8500.0-08-6
X278	Connector (10-Pins, Blue)	8500.0-02-2	X335	Connector (4-Pins, Green)	8500.0-02-6
X279	Connector (12-Pins, White)	8500.0-02-1	X336	Connector (4-Pins, White)	8500.0-06-5
X290	Connector (9-Pins, Black)	8500.0-02-3	X337	Connector (4-Pins, White)	8500.0-06-5
X291	Connector (9-Pins, Black)	8500.0-02-3	X338	Connector (4-Pins, Black)	8500.0-06-3
X292	Connector (9-Pins, White)	8500.0-02-3	X339	Connector (4-Pins, Black)	8500.0-06-3
X293	Connector (9-Pins, White)	8500.0-02-3	X342	Connector (4-Pins, White)	8500.0-06-5
X294	Connector (9-Pins, White)	8500.0-02-3	X355	Connector (3-Pins, White)	8500.0-05-5
X295	Connector (8-Pins, Black)	8500.0-03-1	X356	Connector (3-Pins, White)	8500.0-05-5



# Connector Views Chart

Connector		Page - Fig.	Connector		Page - Fig.
X358	Connector (3-Pins, Black)	8500.0-03-3	X604	Connector (12-Pins, Black)	8500.0-06-6
X360	Connector (3-Pins, Natural)	8500.0-05-3	X605	Connector (12-Pins, Black)	8500.0-02-1
X393	Connector (6-Pins, Black)	8500.0-04-1	X606	Connector (12-Pins, White)	8500.0-02-1
X400	Connector (3-Pins, Black)	8500.0-03-3	X607	Connector (12-Pins, Black)	8500.0-08-5
X501	Connector (26-Pins, Green)	8500.0-01-1	X608	Connector (12-Pins, Black)	8500.0-07-2
X502	Connector (26-Pins, White)	8500.0-01-1	X609	Connector (15-Pins, Black)	8500.0-12-2
X503	Connector (12-Pins, Black)	8500.0-05-6	X610	Connector (26-Pins, White)	8500.0-01-1
X504	Connector (12-Pins, Black)	8500.0-05-6	X611	Connector (26-Pins, Green)	8500.0-01-1
X506	Connector (12-Pins, Black)	8500.0-02-1	X612	Connector (26-Pins, Blue)	8500.0-01-1
X509	Connector (9-Pins, Black)	8500.0-02-3	X613	Connector (26-Pins, Blue)	8500.0-01-1
X510	Connector (9-Pins, Black)	8500.0-02-3	X614	Connector (26-Pins, Yellow)	8500.0-01-1
X511	Connector (8-Pins, Black)	8500.0-03-1	X620	Connector (9-Pins, White)	8500.0-02-3
X512	Connector (8-Pins, Black)	8500.0-03-1	X621	Connector (10-Pins, Black)	8500.0-07-1
X514	Connector (6-Pins, Black)	8500.0-06-1	X622	Connector (10-Pins, Black)	8500.0-07-1
X516	Connector (5-Pins, Black)	8500.0-06-2	X623	Connector (4-Pins, Black)	8500.0-06-3
X517	Connector (4-Pins, Black)	8500.0-06-5	X624	Connector (4-Pins, Black)	8500.0-06-3
X518	Connector (4-Pins, Black)	8500.0-06-5	X625	Connector (6-Pins, Black)	8500.0-07-4
X519	Connector (4-Pins, White)	8500.0-06-5	X626	Connector (8-Pins, Black)	8500.0-03-1
X520	Connector (3-Pins, White)	8500.0-03-3	X627	Connector (8-Pins, Black)	8500.0-03-1
X521	Connector (6-Pins, Black)	8500.0-06-4	X628	Connector (3-Pins, Black)	8500.0-07-5
X522	Connector (3-Pins, White)	8500.0-05-5	X629	Connector (8-Pins, Natural)	8500.0-07-3
X523	Connector (6-Pins, Black)	8500.0-09-2	X630	Connector (13-Pins, Black)	8500.0-07-6
X524	Connector (4-Pins, Black)	8500.0-06-5	X631	Connector (9-Pins, White)	8500.0-02-3
X526	Connector (8-Pins, Black)	8500.0-03-1	X632	Connector (9-Pins, White)	8500.0-02-3
X529	Connector (6-Pins, Black)	8500.0-06-1	X633	Connector (8-Pins, Black)	8500.0-09-5
X601	Connector (26-Pins, White)	8500.0-01-1	X634	Connector (6-Pins, White)	8500.0-04-1
X602	Connector (26-Pins, Yellow)	8500.0-01-1			
X603	Connector (12-Pins, Black)	8500.0-06-6			



## Connector Views Chart

Connector	Page - Fig.	Connector	Page - Fig.
X635	Connector (6-Pins, Black) . . . . . 8500.0-04-1	X665	Connector (6-Pins, Black) . . . . . 8500.0-10-4
X636	Connector (6-Pins, Black) . . . . . 8500.0-08-3	X666	Connector (6-Pins, Black) . . . . . 8500.0-10-4
X637	Connector (6-Pins, Black) . . . . . 8500.0-08-3	X667	Connector (6-Pins, Black) . . . . . 8500.0-10-4
X638	Connector (6-Pins, Black) . . . . . 8500.0-09-4	X668	Connector (6-Pins, Black) . . . . . 8500.0-10-4
X641	Connector (6-Pins, Black) . . . . . 8500.0-09-4	X669	Connector (6-Pins, Black) . . . . . 8500.0-10-4
X642	Connector (6-Pins, Black) . . . . . 8500.0-09-3	X670	Connector (6-Pins, Black) . . . . . 8500.0-10-4
X643	Connector (6-Pins, Blue) . . . . . 8500.0-10-2	X671	Connector (5-Pins, Green) . . . . . 8500.0-02-4
X644	Connector (6-Pins, Black) . . . . . 8500.0-09-4	X672	Connector (4-Pins, Black) . . . . . 8500.0-10-5
X645	Connector (6-Pins, Black) . . . . . 8500.0-08-3	X673	Connector (4-Pins, Black) . . . . . 8500.0-06-5
X646	Connector (6-Pins, Black) . . . . . 8500.0-09-4	X674	Connector (4-Pins, Black) . . . . . 8500.0-06-5
X647	Connector (6-Pins, Black) . . . . . 8500.0-08-3	X677	Connector (9-Pins, Black) . . . . . 8500.0-10-6
X648	Connector (6-Pins, Black) . . . . . 8500.0-08-3	X681	Connector (3-Pins, White) . . . . . 8500.0-03-3
X649	Connector (6-Pins, White) . . . . . 8500.0-08-3	X682	Connector (3-Pins, Natural) . . . . . 8500.0-10-3
X650	Connector (6-Pins, Black) . . . . . 8500.0-08-3	X684	Connector (3-Pins, Black) . . . . . 8500.0-04-2
X651	Connector (6-Pins, Black) . . . . . 8500.0-08-3	X685	Connector (3-Pins, Black) . . . . . 8500.0-04-2
X652	Connector (6-Pins, Blue) . . . . . 8500.0-08-3	X686	Connector (3-Pins, Blue) . . . . . 8500.0-10-3
X653	Connector (6-Pins, Black) . . . . . 8500.0-08-3	X687	Connector (3-Pins, Blue) . . . . . 8500.0-10-3
X654	Connector (6-Pins, White) . . . . . 8500.0-08-3	X688	Connector (3-Pins, Blue) . . . . . 8500.0-10-3
X655	Connector (6-Pins, Blue) . . . . . 8500.0-08-3	X689	Connector (3-Pins, Blue) . . . . . 8500.0-10-3
X656	Connector (6-Pins, Green) . . . . . 8500.0-08-3	X690	Connector (3-Pins, Blue) . . . . . 8500.0-10-3
X657	Connector (6-Pins, Brown) . . . . . 8500.0-08-3	X692	Connector (3-Pins, Black) . . . . . 8500.0-03-3
X658	Connector (6-Pins, Black) . . . . . 8500.0-08-3	X693	Connector (3-Pins, Black) . . . . . 8500.0-05-5
X659	Connector (6-Pins, Blue) . . . . . 8500.0-08-3	X694	Connector (3-Pins, Natural) . . . . . 8500.0-10-3
X661	Connector (6-Pins, Black) . . . . . 8500.0-10-4	X695	Connector (3-Pins, Black) . . . . . 8500.0-03-3
X662	Connector (6-Pins, Black) . . . . . 8500.0-10-4	X696	Connector (3-Pins, Black) . . . . . 8500.0-07-5
X663	Connector (6-Pins, Black) . . . . . 8500.0-10-4	X902	Connector (9-Pins, Black) . . . . . 8500.0-10-6
X664	Connector (6-Pins, Black) . . . . . 8500.0-10-4		



# Connector Views Chart

Connector		Page - Fig.	Connector		Page - Fig.
X903	Connector (3-Pins, Natural)	8500.0-08-3	X2004	Connector (12-Pins, Black)	8500.0-07-2
X918	Connector (6-Pins, Black)	8500.0-08-3	X2005	Connector (8-Pins, Black)	8500.0-11-1
X919	Connector (6-Pins, Black)	8500.0-08-3	X3500	Connector (3-Pins, White)	8500.0-03-3
X926	Connector (3-Pins, Natural)	8500.0-10-3	X3502	Connector (3-Pins, White)	8500.0-03-3
X928	Connector (3-Pins, Black)	8500.0-04-2	X3505	Connector (4-Pins, Black)	8500.0-06-5
X929	Connector (3-Pins, Black)	8500.0-04-2	X3506	Connector (21-Pins, White)	8500.0-01-3
X1021	Connector (9-Pins, White)	8500.0-02-3	X3510	Connector (3-Pins, Black)	8500.0-13-2
X1500	Connector (55-Pins, Natural)	8500.0-00-1	X3511	Connector (3-Pins, Black)	8500.0-13-2
X1514	Connector (3-Pins, Black)	8500.0-03-5	X3524	Connector (3-Pins, White)	8500.0-03-3
X1515	Connector (9-Pins, White)	8500.0-02-3	X8062	Connector (9-Pins, Gray)	8500.0-13-3
X1516	Connector (9-Pins, White)	8500.0-02-3	X8063	Connector (9-Pins, Black)	8500.0-02-3
X1517	Connector (9-Pins, White)	8500.0-02-3	X8074	Connector (13-Pins)	Not shown
X1521	Connector (3-Pins, Black)	8500.0-03-5	X8075	Connector (13-Pins)	Not shown
X1522	Connector (3-Pins, Black)	8500.0-03-5	X9269	Connector (26-Pins, White)	8500.0-01-1
X1523	Connector (4-Pins, Black)	8500.0-11-4	X9557	Connector (5-Pins, Black)	8500.0-02-4
X1525	Connector (3-Pins, Black)	8500.0-03-5	X9569	Connector (9-Pins, White)	8500.0-02-3
X1528	Connector (5-Pins, Black)	8500.0-11-2	X9607	Connector (20-Pins, Black)	8500.0-08-4
X1532	Connector (20-Pins, Black)	8500.0-11-5	X18059	Connector (9-Pins, Black)	8500.0-02-3
X1533	Connector (3-Pins, Black)	8500.0-03-5	X18060	Connector (9-Pins, Black)	8500.0-02-3
X1536	Connector (6-Pins, Black)	8500.0-11-3	X18064	Connector (6-Pins, White)	8500.0-08-3
X1537	Connector (8-Pins, Black)	8500.0-03-1	X18065	Connector (6-Pins, White)	8500.0-08-3
X1550	Connector (35-Pins, Black)	8500.0-00-3	X18069	Connector (6-Pins, Orange)	8500.0-04-1
X1552	Connector (4-Pins, Black)	8500.0-06-3	X18130	Connector (4-Pins, Black)	8500.0-06-5
X1554	Connector (8-Pins, Black)	8500.0-10-1			
X1563	Connector (7-Pins, Black)	8500.0-12-4			
X2000	Connector (35-Pins, Natural)	8500.0-00-3			
X2001	Connector (12-Pins, Black)	8500.0-02-1			
X2003	Connector (6-Pins, Blue)	8500.0-08-3			



# CONNECTOR VIEWS

FIGURE 1

B550001.00

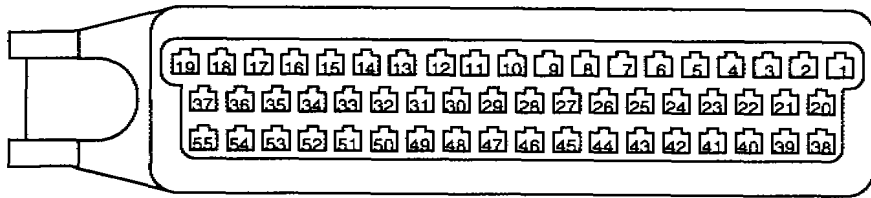


FIGURE 2

B350001.00

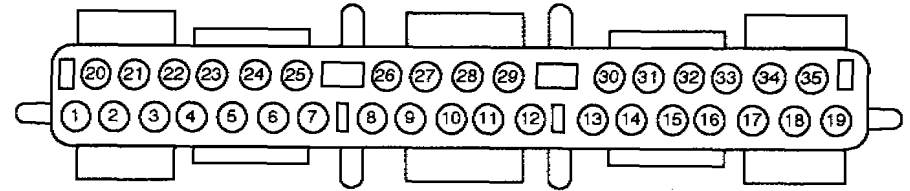


FIGURE 3

B350002.00

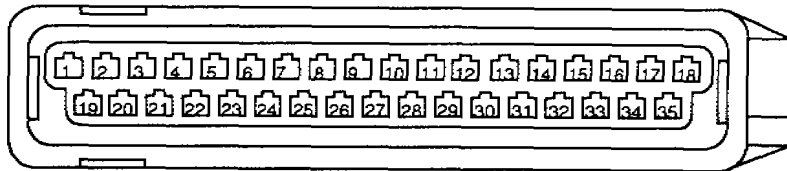
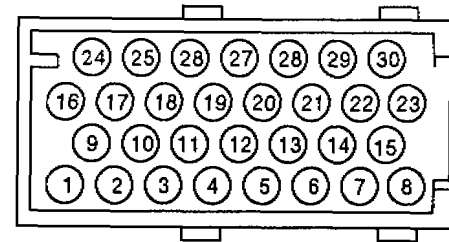


FIGURE 4

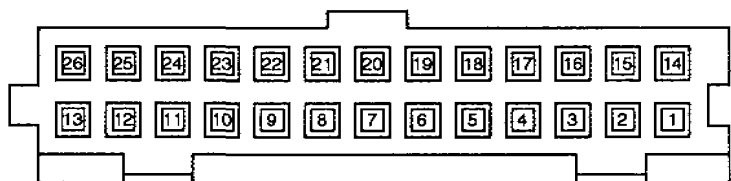
B300001.00





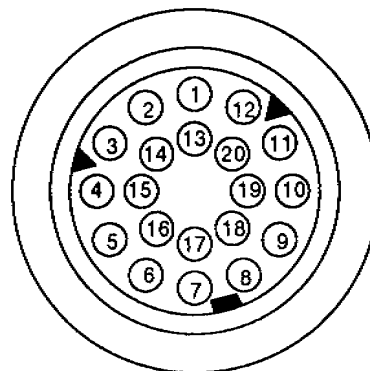
**FIGURE 1**

B260002.00



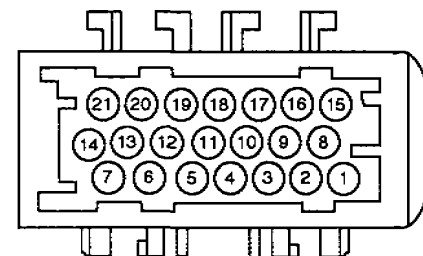
**FIGURE 2**

B200002.00



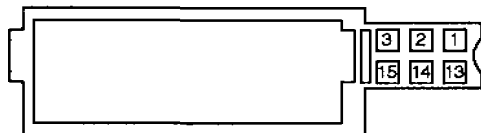
**FIGURE 3**

B210001.00



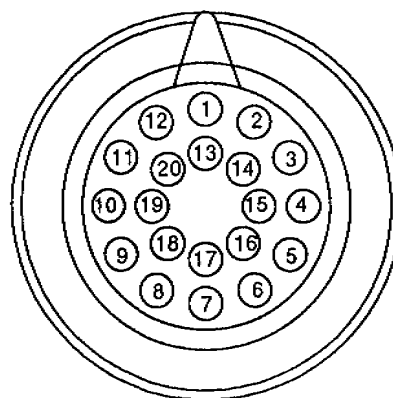
**FIGURE 4**

B240001.00



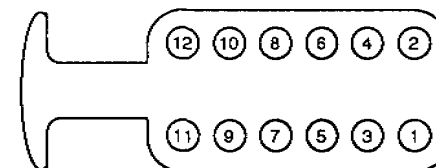
**FIGURE 5**

B200004.00



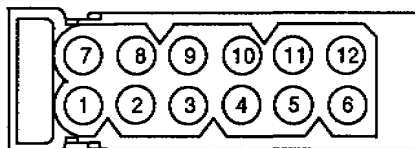
**FIGURE 6**

B120013.00



**FIGURE 1**

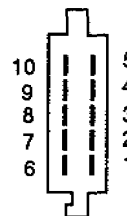
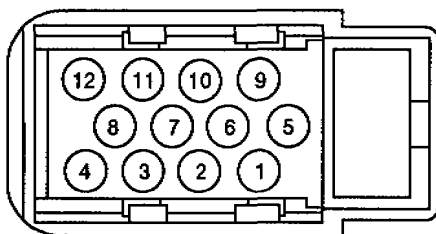
B120002.01



**FIGURE 2**

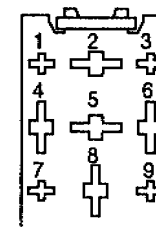
B120003.00

B100001.00



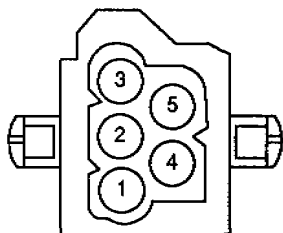
**FIGURE 3**

B090001.00



**FIGURE 4**

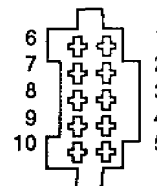
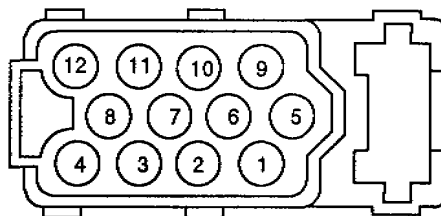
B050005.00



**FIGURE 5**

B120007.00

B100003.00



**FIGURE 6**

B040003.00

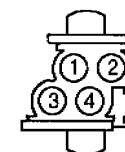


FIGURE 1

B080002.00

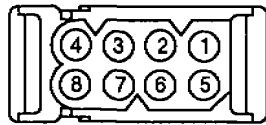


FIGURE 2

B080004.00

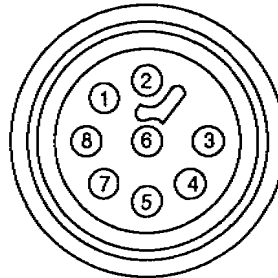


FIGURE 3

B030001.00

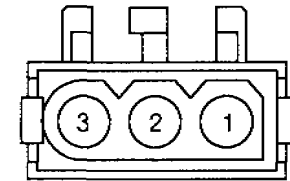


FIGURE 4

B080003.00

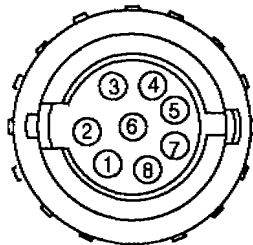


FIGURE 5

B030015.00

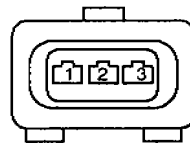


FIGURE 6

B030014.00

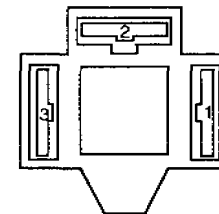


FIGURE 1

B060017.00

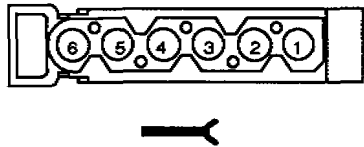


FIGURE 2

B030004.00



FIGURE 3

B030013.00

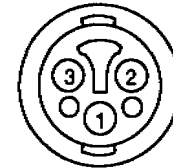


FIGURE 4

B030005.00

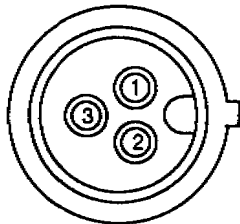


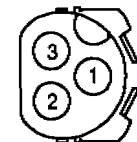
FIGURE 5

B030012.00



FIGURE 6

B030006.00





# CONNECTOR VIEWS

FIGURE 1

B060004.00

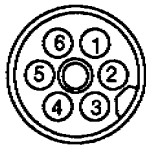


FIGURE 2

B050005.00

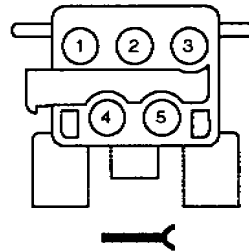


FIGURE 3

B0300010.00

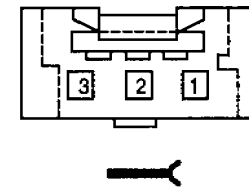


FIGURE 4

B060002.00

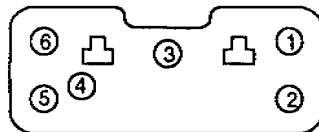


FIGURE 5

B030003.04

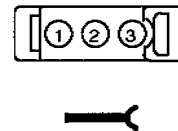


FIGURE 6

B120006.00

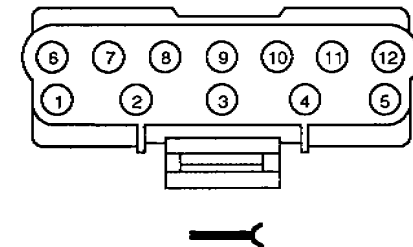


FIGURE 1

B060006.00

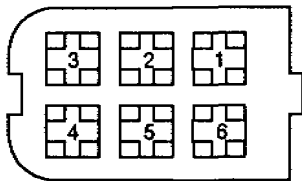


FIGURE 2

B050003.00

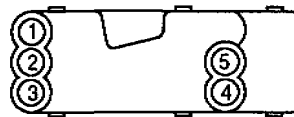


FIGURE 3

B040004.00



FIGURE 4

B060020.00

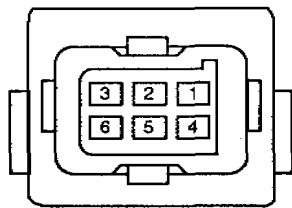


FIGURE 5

B040002.00

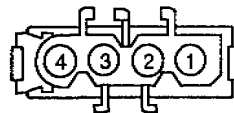
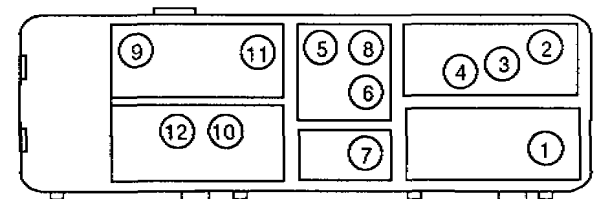


FIGURE 6

B120008.00





# CONNECTOR VIEWS

FIGURE 1

B100002.00

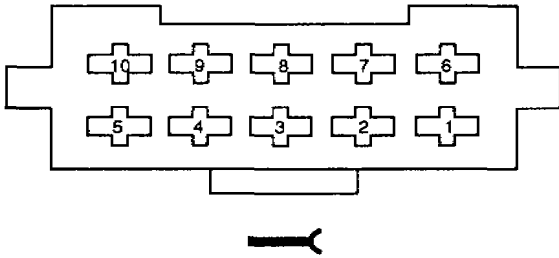


FIGURE 2

B120009.00

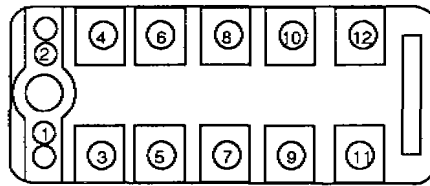


FIGURE 3

B080006.00

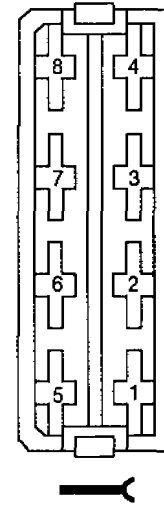


FIGURE 4

B060013.00

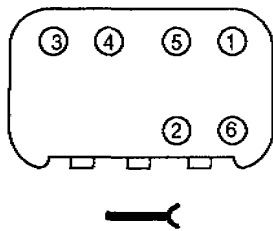


FIGURE 5

B030009.00

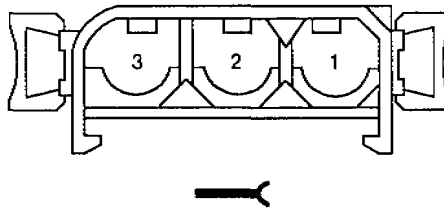
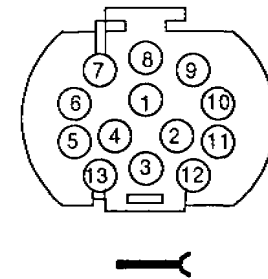


FIGURE 6

B130002.00





# CONNECTOR VIEWS

FIGURE 1

B260001.00

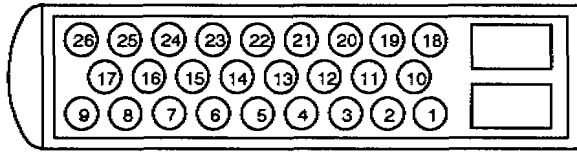


FIGURE 2

B120011.00

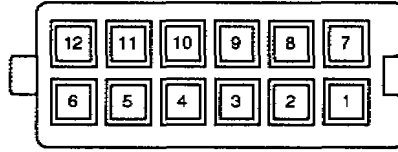


FIGURE 3

B120011.00

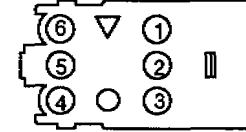


FIGURE 4

B200001.00

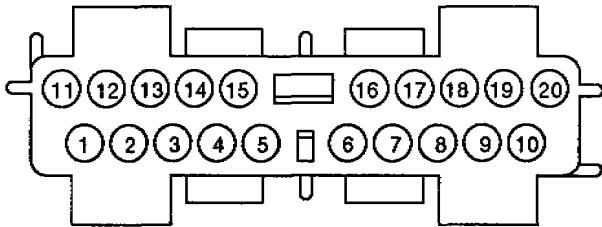


FIGURE 5

B120005.00

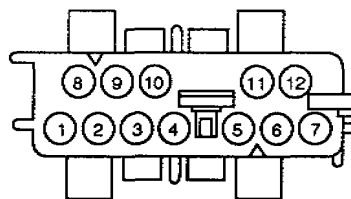


FIGURE 6

B040010.00

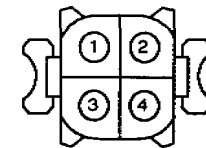




FIGURE 1

B060007.00

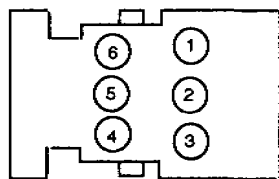


FIGURE 2

B060023.00

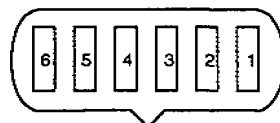


FIGURE 3

B060016.00

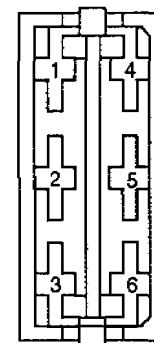


FIGURE 4

B060009.00

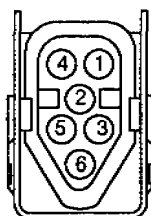


FIGURE 5

B080010.00

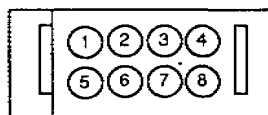
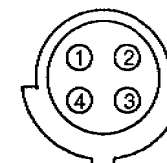


FIGURE 6

B0400011.00





# CONNECTOR VIEWS

FIGURE 1

B080009.00

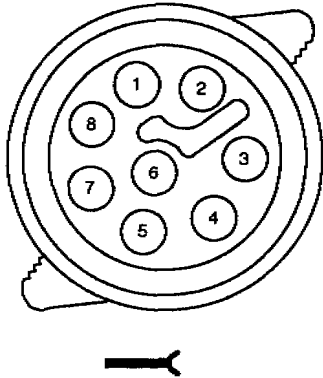


FIGURE 2

B060011.00

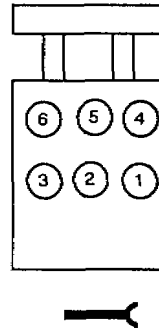


FIGURE 3

B030016.00

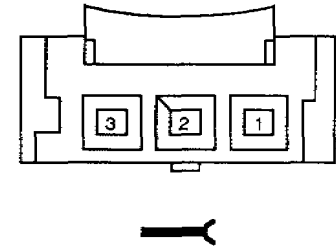


FIGURE 4

B060010.01

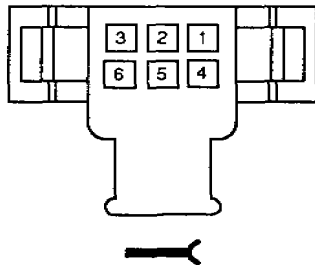


FIGURE 5

B040013

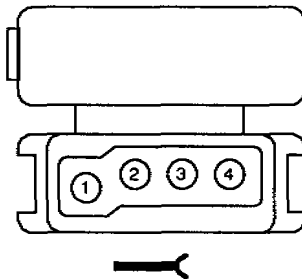
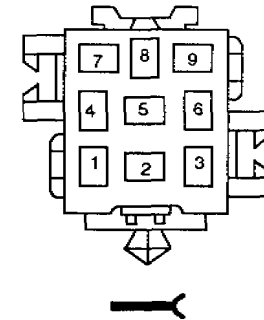


FIGURE 6

B090002.00





# CONNECTOR VIEWS

FIGURE 1

B080005.00

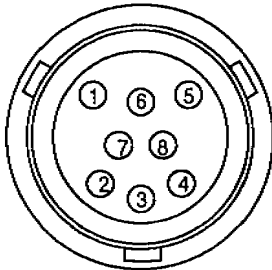


FIGURE 2

B050006.00

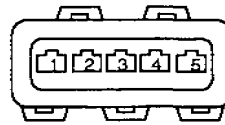


FIGURE 3

B060014.00

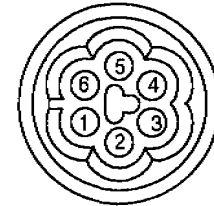


FIGURE 4

B040006.00

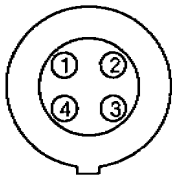


FIGURE 5

B200003.00

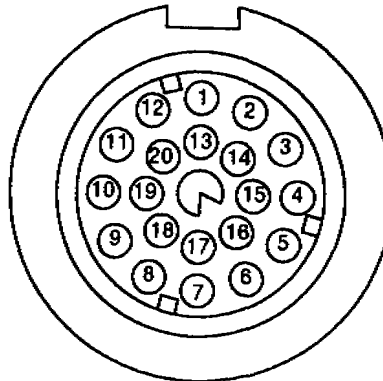
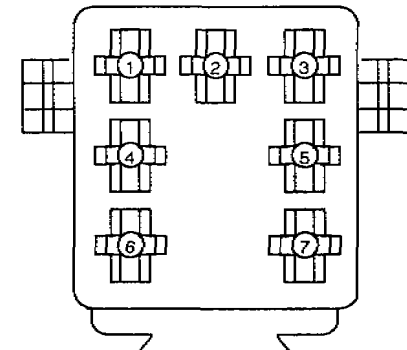


FIGURE 6

B07000.00





# CONNECTOR VIEWS

FIGURE 1

B170000.00

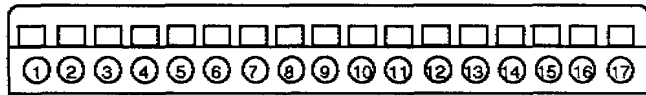
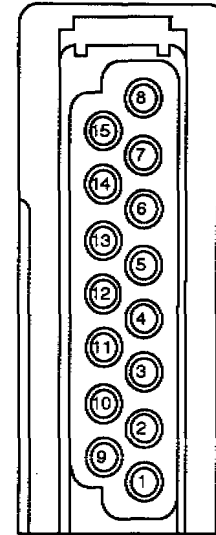


FIGURE 2



B150003.00





# CONNECTOR VIEWS

FIGURE 1

B260003.00

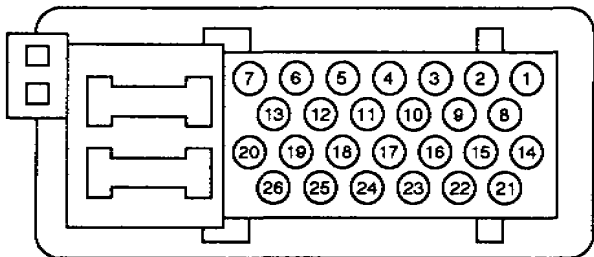


FIGURE 2

B070001.00

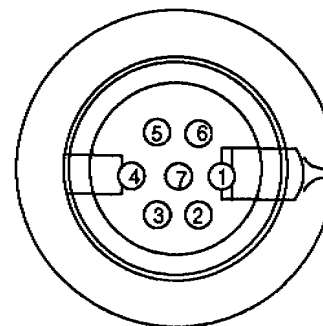


FIGURE 3

B100006.00

